

Cessna



MODEL 120 AND 140
PARTS CATALOG

CESSNA AIRCRAFT COMPANY

Wichita, Kansas

1954

Price \$3.50

FOREWORD

This illustrated Parts Catalog has been prepared to enable all concerned to more easily, quickly and positively identify Parts for Cessna Models 120 and 140. Suggestions for improvement of it are welcome.

Features of the book include the indexing system, which consists of:

- 1) A conveniently located Alphabetical Index in the front of the Catalog.
- 2) An Illustrated Index provided in Figure 1—Airplane Assembly.
- 3) A Numerical Index in the back of the Catalog.

Through the use of the proper one of these three indexes, Parts may be located by name, number or location, as each index refers to where it may be found in the catalog.

For estimating purposes, current prices, which are subject to change without notice, are shown in the Numerical Index.

Included also, is a color chart listing all exterior, interior, interior trim and upholstery colors used on Cessna 120's and 140's to date. These colors are listed by year and model without reference to serial number.

HOW TO ORDER

USE YOUR CATALOG TO ORDER PARTS. Use Parts and Accessories order form Number 573, which will be supplied by CESSNA on request. Give complete information on addresses and make sure that part number and part name are as shown in the catalog. Be sure to state quantities.

Be sure to specify how the order is to be shipped, otherwise it will be sent out in the manner that seems best to the shipper. Be sure to indicate model number of the airplane. Serial number is important only if that information is contained in the parts catalog itself for that item. Where color is involved, be sure to specify what color. When ordering upholstery material the airplane serial number is necessary.

Factory hours are 8:00 A.M. to 4:30 P.M. Monday through Friday. All orders will be processed promptly within the above hours and in most cases will be shipped on the day received or on the following working day.

DISTRIBUTOR ORDERS

Distributors will send all orders to the factory with instructions as to the shipping destination. The factory prefers not to make C.O.D. shipments for the distributor and all billing will be made to the distributor in the case of direct shipments.

DEALER ORDERS

Dealers will place all of their parts order requirements with their distributor. The factory will not honor orders received directly from a dealer. It will be necessary for us to forward it to the distributor for his action. Therefore, dealer orders sent direct to the distributor will result in much faster delivery on any parts that are required.

RETAIL ORDERS

Retail orders will not be honored by the factory. They are to be placed with the dealer or distributor in the owner's territory and when received directly by the factory will be forwarded to the distributor from whose territory it was received. Considerable saving in time will again result to the owner if his orders are placed with his dealer or distributor.

ALPHABETICAL INDEX

PART NAME	PAGE	PART NAME	PAGE
-A-			
Aileron		Elevator Tab	94
Control System	91	Flap Control	95
Assembly - Left	11	Rudder Control	97
Assembly - Right	19	Stainless Steel (Seaplane)	124
Ash Tray (See Tray - Ash)		Cap - Fuel Tank	6-14
Antenna		Cap - Fuel Tank Vent Line	6-14
G. E. Radio	106-108	Carburetor	
Mast Bracket	106-108	Air Temperature Gauge Installation	130
Axle		Engine	71-75
Landing Gear	50	Mixture Control Installation	103
Tail Wheel	55	Carpet	
-B-			
Baffle - Engine Air	71-75	Floor (Model 120)	79
Baggage Shelf Installation (Model 120)	132	Floor (Model 140)	77
Battery		Chain - Aileron Control	91
Model 140	48	Children's Seat - Installation	128
Model 120	113	Clip	
Bellcrank		Brake	52-53
Aileron - Left	4	Fabric	4-12
Aileron - Right	12	Control - Cabin Heater	100-102
Elevator	27	Aileron System	91
Elevator (Cabin)	42	Elevator System	93
Belt - Safety		Elevator Tab System	94
Children's Seat	128	Flap System	95
Dual Installation Kit	135	Rudder System	97
Standard Installation	2	Starter (Model 120)	110
Blind Flight Equipment	126	Starter (Model 140)	62-65
Box - Battery	45	Tee Assembly	37
Bracket		Cover	
Aileron Pulley (Aft Section Fuselage)	45	Elevator Tab Mechanism	94
Aileron Pulley (Fuselage Rear Spar)	28	Inspection Opening - Wing	4-12
Control Pulley (Sta. 56.69)	45	Oil Tank Winterization	122
Elevator Control Pulley (Sta. 173.406)	45	Rudder Bars	77
Elevator Tab (Sta. 70.69)	45	Cowling	67-69
Elevator Tab	28	Cuff - Strut	135
Flap Control (Aft Section Fuselage)	45	Cushion - Seat	80
Fuel Strainer	32	-D-	
Rudder Cable (Sta. 20.5)	35	Decal	
Safety Belt	28	Baggage Compartment	77-79
Tail Wheel Mounting	45	Cessna Insignia (Tail)	22
Brake Control - Parking		Children's Seat & Baggage Compartment	128
Model 120	61	Flap Handle	28
Model 140	62-65	Fuel Gauge (No Take-Off)	6-14
Brake Installation	38	Fuse	62-65
Brake Installation - Dual	105	Magneto Switch (Model 120)	61
Brake Line		Magneto Switch (Model 140 - 1946)	62
Installation Diagram	46	McCaughey Propeller	116
Landing Gear	50	Microphone Jack	65
Landing Gear Extension	137	Operational Limitations	32
Brake - Master Cylinder	40	Switch & Fuse (1946 Model 140)	62
Brake - Wheel	50	Tab (Nose Up or Down)	94
Bulkhead		Door Assemblies - Fuselage	56
Battery Support	45	Door Catch (Strut)	20
Control Tee	32	Door Post - Front	35
Floorboard	32	Dragwire - Wing Left	6
Fuselage (Sta. 56.69)	45	Dragwire - Wing Right	14
Fuselage (Sta. 70.69)	45	Drain Plug - Fuel Tank	2-14
Fuselage (Sta. 95.00)	45	-E-	
Fuselage (Sta. 133.312)	45	Electrical	
Fuselage (Sta. 173.406)	45	Wiring Diagram (Model 120)	110
Fuselage (Sta. 200.375)	45	Wiring Diagram (Model 140)	82-84
Landing Gear Support	35	Wiring Clamps, Grommets, etc. (Model 120)	113
Stabilizer Attachment	45	Wiring Clamps, Grommets, etc. (Model 140)	48
-C-			
Cabin Air Vent (See Vent)		Elevator	
Cabin Heater	100-102	Assembly	27
Cabin Top	42	Control System	93
Cable		Tab	27
Aileron Control	91	Tab Control System	94
Elevator Control	93	Engine	
		1946 Model	71
		1947 and 1948 Model	75
		Mount	71-75
		Exhaust Stack	71-75
		Extension - Landing Gear	137

ILLUSTRATED PARTS CATALOG



ALPHABETICAL INDEX

PART NAME	PAGE	PART NAME	PAGE
- F -			
Fabric		Fin	22
Wing Cover - Left	4	Rudder	25
Wing Cover - Right	12	Stabilizer	24
Fairing		Hoisting Rings (Seaplane)	124
Empennage	2	Hood	
Wing - Left	4	Blind Flight	126
Wing - Right	12	Cowling	67-69
Fillet - Door Frame	42	Hose	
Fin Assembly	22	Cabin Cold Air	100-102
Fire Extinguisher	131	Cabin Heat	100-102
Firewall	32	Carburetor Air	71
Flap		Flexible Brake Line	46
Control System	95	Pitot Line Joint	4
Assembly - Left	11	- I -	
Assembly - Right	19	Instrument	
Flares Installation	120	Blind Flight Equipment	126
Float Installation	124	Optional Installation	98
Floor - Baggage Compartment	45	Panel Installation (Model 120)	61
Floorboard Assembly - Front	32	Panel Installation (1946 Model 140)	62
Fuel System (Lines, Fittings, etc.)	87	Panel Installation (1947 & 1948 Model 140)	65
Fuel Tank	4-12	- J -	
Fuselage		Jack	
Aft Section	45	Headphone	28
Center Section	42	Microphone	62-65
Complete Assembly	28	Jump Seat Installation	128
Front Section	32	- K -	
Fuses		Kit - Installation	
Model 140	62-65	Antenna	
Model 120	61	G. E. Radio	106-108
Flares	120	Maguire Radio	115
Landing Light	119	Baggage Shelf (Model 120)	132
- G -		Belt - Safety (Dual Conversion)	135
Gasket		Blind Flight Equipment	126
Fuel Tank Drain Plug	6	Brake - Dual	105
Generator		Cabin Heater	100-102
Model 120	110	Carburetor Air Temperature Gauge	130
Model 140	71-75	Cuff - Front Strut	135
Glove Compartment		Electrical Installation (Model 120)	110-113
1946 Model	62	Engine Summerization	134
1947 and 1948 Model	65	Engine Winterization	122
Goggles - Blind Flight	126	Fire Extinguisher	131
Ground Cable - Battery (Model 120)	110	Flare - 1 1/2 Minute	120
Ground Cable - Battery (Model 140)	82-84	Float - Edo	124
Gauge - Fuel	6-14	Heater - Cabin	100-102
Guard		Hoisting Rings	124
Aileron Control Cable	91	Landing Gear Extension	137
Elevator Control Cable	93	Light - Dome	131
Elevator Tab Cable	94	Light - Landing	119
Flap Cable	95	Manifold Pressure Gauge	130
Rudder Cable	97	Mixture Control	103
- H -		Navigation Lights (Model 120)	110-113
Handle		Pants - Wheel	126
Door	56	Spinner - Propeller	116
Flap	28	Radio - G. E.	106-108
Flap - (Dual Safety Belt Conversion)	135	Radio - Maguire	115
Fuel - Selector Valve	87	Seaplane Conversion	124
Headphone - Radio	106-108	Seat - Children's	128
Hinge		Thermometer - Outside Air	98
Aileron	11-19	Turn & Bank Indicator	98
Door	56	Upholstery (Model 120)	131
Elevator	27	Vent - Cabin Air	132
		Window - Cabin Rear (Model 120)	132

ILLUSTRATED PARTS CATALOG



ALPHABETICAL INDEX

PART NAME	PAGE	PART NAME	PAGE
- L -			
Landing Gear		Floor Mat - Scuff	77-79
Attaching Supports (Fuselage)	35	Fuel Valve	32
Cross Wind	137	Landing Gear Fillet	50
Extension	137	Landing Light Mounting - Left	6
Installation	50	Landing Light Mounting - Right	14
Latch		Pitot Tube Inspection	4
Cowl Fastener	69-71	Seat Pan Inspection	28
Door	56-59	Strut Fairing (Fuselage)	20
Thumb Latch - Right Door	56	Tab Actuator Cover (Stabilizer)	24
Strut - Door Catch	20	Plug - Fuel Drain	2-14
Window	56	Position Lights (See Light)	
Leading Edge Assembly		Primer - Engine	61-62-65
Wing - Left	9	Propeller	
Wing - Right	17	McCauley	116
Lever - Flap Operating	28	Optional	116
Light		Seaplane	116
Dome	131	Standard (Sensenich)	2
Instrument Panel (Model 120)	110	Spinner	116
Instrument Panel (Model 140)	62-65	Pulley	
Landing	119	Aileron Control Cable	91
Navigation - Rudder (Model 140)	25	Elevator Control Cable	93
Navigation - Rudder (Model 120)	110	Elevator Tab Control Cable	94
Wing Position (Model 120)	110	Flap Control Cable	95
Wing Position (Model 140)	4-12	Rudder Control Cable	97
Lighter - Cigar	98	- R -	
Lining		Radio	
Cabin (See Upholstery)		G. E. Installation	106-108
Brake	52-53	Maguire Installation	115
Lock		Mounting Brackets	32
Control	126	Regulator	
Door	56	Generator Voltage (Model 120)	110
Lug - Tie Down	137	Generator Voltage (Model 140)	82
- M -		Rheostat - Panel Lights	65
Manifold Pressure Gauge Installation	130	Rib	
Mat - Floor (See Upholstery)		Fuselage Center Section	45
Mixture Control Installation	103	Center - Wing Left	6
Mount - Engine	71-75	Center - Wing Right	14
Muff		Leading Edge - Wing Left	9
Cabin Heater	100-102	Leading Edge - Wing Right	17
Carburetor Air Heater	71	Rudder	25
Muffler - Engine Exhaust	71-75	Stabilizer	24
- O -		Trailing Edge - Wing Left	9
Oil Pressure Line (Gauge to Engine)	87	Trailing Edge - Wing Right	17
- P -		Rudder	
Pad		Assembly - Complete	25
Fuel Tank - Left	6	Control System	97
Fuel Tank - Right	14	Pedal Installation	38
Panel - Instrument		- S -	
Model 120	61	Safety Belt	
1946 Model 140	62	Dual Conversion	135
1947 and 1948 Model 140	65	Standard	2
Pants - Wheel	126	Seaplane - Conversion Kit	124
Pedal		Seat	
Co-Pilot Brakes	105	Assemblies	80
Rudder	38	Back	80
Pitot		Back Support Brackets	42
Lines - Wing	6	Children's	128
Static	32	Pan Assembly	28
System	89	Shaft	
Tube Support Brackets (Wing)	9	Recording Tachometer	98
Plate		Tachometer	71-75
Aileron Inspection - Left	4	Shim	
Aileron Inspection - Right	12	Axle Mounting	50
Baggage Compartment Floor Inspection	28	Fin Attachment	22
Floorboard Inspection	28	Stabilizer Attachment	24
		Sill - Door	42
		Solenoid - Master	
		Model 140	48
		Model 120	110

ILLUSTRATED PARTS CATALOG



ALPHABETICAL INDEX

PART NAME	PAGE	PART NAME	PAGE
Spar		Torque Tube	
Aileron Auxiliary - Left	9	Elevator	27
Aileron Auxiliary - Right	17	Flap Operating	95
Flap Auxiliary - Left	9	Trailing Edge Assembly	
Flap Auxiliary - Right	17	Wing - Left	9
Fuselage - Front	35	Wing - Right	17
Fuselage - Rear	45	Tray - Ash	
Wing Front - Left	9	Model 120	61
Wing Front - Right	17	1947 and 1948 Model 140	32
Wing Rear - Left	9	1946 Model 140	62
Wing Rear - Right	17	Tube	
Speaker - Radio	106-108	Control Wheel	37
Spinner - Propeller	116	Push-Pull - Elevator	24
Spring		Tire	50
Empennage Fairing Attachment	2	Tubing	
Flap Return	95	Pitot System	89
Landing Gear	50	Fuel System	87
Tail Wheel	45	Turn and Bank Indicator	98
Stabilizer	24	Turnbuckle	
Stall Warning Indicator	134	Aileron Cable	91
Starter		Elevator Cable	93
Arm Extension (Model 140)	71-75	Elevator Tab Cable	94
Arm Extension (Model 120)	110	Flap Cable	95
Engine (Model 140)	71-75	Rudder Cable	97
Engine (Model 120)	110		
Step - Landing Gear	50	- U -	
Stop - Fuel Selector Valve Handle	32	Upholstery	
Strainer		Cabin (Model 120)	79
Fuel	87	Cabin (Model 140)	77
Fuel Tank - Left	4	Door	56
Fuel Tank - Right	12	Dress-UP Kit (Model 120) (Optional)	131
Strap		- V -	
Fuel Tank - Left	6	Valve	
Fuel Tank - Right	14	Cabin Heater	100-102
Stringer - Engine Mount	32	Fuel Selector	87
Strut		Vent	
Jury	20	Cabin Air	132
Wing Lift	20	Installation Kit (For Conversion)	132
Summerization Kit - Engine	134	Scoop - Leading Edge - Wing Left	9
Switch		Scoop - Leading Edge - Wing Right	17
Flare	120	Snap Vent	31
Instrument Panel - Model 140	62-65	- W -	
Instrument Panel - Model 120	61	Wedge - Landing Gear Support	50
Turn & Bank Indicator	98	Wheel Assembly	
- T -		Control	37
Tab		Elevator Tab Operating	94
Actuator	24	Landing Gear	50
Control Wheel	94	Tail	55
Elevator	24	Pants	126
Wheel Cover	94	Window	
Tachometer		Cabin Rear	45
Recording	98	Cabin Rear (For 120 Conversion)	132
Standard	61-65	Cabin Top	42
Tail Cone Assembly	45	Door	56
Tail Wheel	55	Windshield Installation	31
Tail Wheel Spring	45	Winterization Kit - Engine	122
Tank		Wing	
Fuel - Left	6	Complete Assembly - Left	4
Fuel - Right	14	Complete Assembly - Right	12
Thermometer - Outside Air Temperature	98	Leading Edge Assembly - Left	9
Throttle		Leading Edge Assembly - Right	17
Model 120	61	Structure Assembly - Left	6
Model 140	62-65	Structure Assembly - Right	14
Tip Assembly		Trailing Edge Assembly - Left	9
Leading Edge - Wing Left	9	Trailing Edge Assembly - Right	17
Leading Edge - Wing Right	17	Wiring	
Trailing Edge - Wing Left	9	Diagram (Model 120)	110
Trailing Edge - Wing Right	17	Diagram (Model 140)	82-84
Wing - Left	6	Landing Lights	119
Wing - Right	14	Wing - Left	6
Tire		Wing - Right	14
Main Wheel	50		
Tail Wheel	55		

TRIM AND UPHOLSTERY COMBINATIONS

NOTE

THIS CHART SHOWS ALL THE COMBINATIONS OF EXTERIOR AND INTERIOR FINISHES
AND INTERIOR TRIM USED AT THE FACTORY ON MODELS 120 AND 140. IN ORDERING
PAINTED PARTS, PAINT AND UPHOLSTERY, PROPER COLOR NAMES SHOULD BE SPECIFIED

BE SURE TO SPECIFY AIRPLANE SERIAL NUMBER ON ORDER

MODEL	YEAR	PAINT				UPHOLSTERY			
		EXTERIOR	INTERIOR TRIM	INTERIOR	SEATS	HEADLINING	CARPET		
140	1946	CESNA METALLIC GREEN	SILVER GREEN	CESNA METALLIC GREEN	BARKWEAVE GREEN	#10723 BRIDGEPORT GREEN	GREEN		
		SUMAC RED	SANTONE BEIGE	MALIBU BROWN	BARKWEAVE BROWN	#10733 BRIDGEPORT BROWN	BROWN		
		CESNA METALLIC GREEN	SILVER GREEN	CESNA METALLIC GREEN	BARKWEAVE GREEN	#10723 BRIDGEPORT GREEN	BROWN		
		CESNA METALLIC GREEN	SILVER FRENCH GREY	SHEARMLINE GREY	SHEPFIELD GREY	#1137 GREY	BROWN		
		CESNA METALLIC GREEN	SILVER FRENCH GREY	SHEARMLINE GREY	SHEPFIELD GREY	#1137 GREY	GREY		
		SUMAC RED	HOLLYWOOD TAN	NEWPORT TAN	SARATOGA TAN	#16906J TAN	BROWN		
		SUMAC RED	HOLLYWOOD TAN	NEWPORT TAN	SARATOGA TAN	#16906J TAN	GREY		
		SUMAC RED	HOLLYWOOD TAN	NEWPORT TAN	SARATOGA TAN	#1137 GREY	GREY		
		SUMAC RED	CESNA GREY	CESNA GREY	BARKWEAVE BROWN	#10733 BRIDGEPORT BROWN	BROWN		
		SUMAC RED	CESNA METALLIC GREEN	CESNA GREY	BARKWEAVE GREEN	#10723 BRIDGEPORT GREEN	GREEN		
120	1948	INSIGNIA RED	DARK INDIA	SILVER FRENCH GREY	BARKWEAVE BROWN	#10733 BRIDGEPORT BROWN	BROWN		
		CESNA METALLIC GREEN	CESNA BLUE GREEN	SILVER FRENCH GREY	BARKWEAVE GREEN	#10723 BRIDGEPORT GREEN	GREEN		
		SUMAC RED	SUMAC RED	SUMAC RED	WOODTONE BROWN				
120	1947	SUMAC RED	CESNA REDDISH BROWN	CESNA REDDISH BROWN	REDDOTITE GREY		GREY		
		SUMAC RED	CESNA REDDISH BROWN	CESNA REDDISH BROWN	REDDOTITE GREY		GREY		
120	1948	SUMAC RED	CESNA REDDISH BROWN	CESNA REDDISH BROWN	REDDOTITE GREY		GREY		

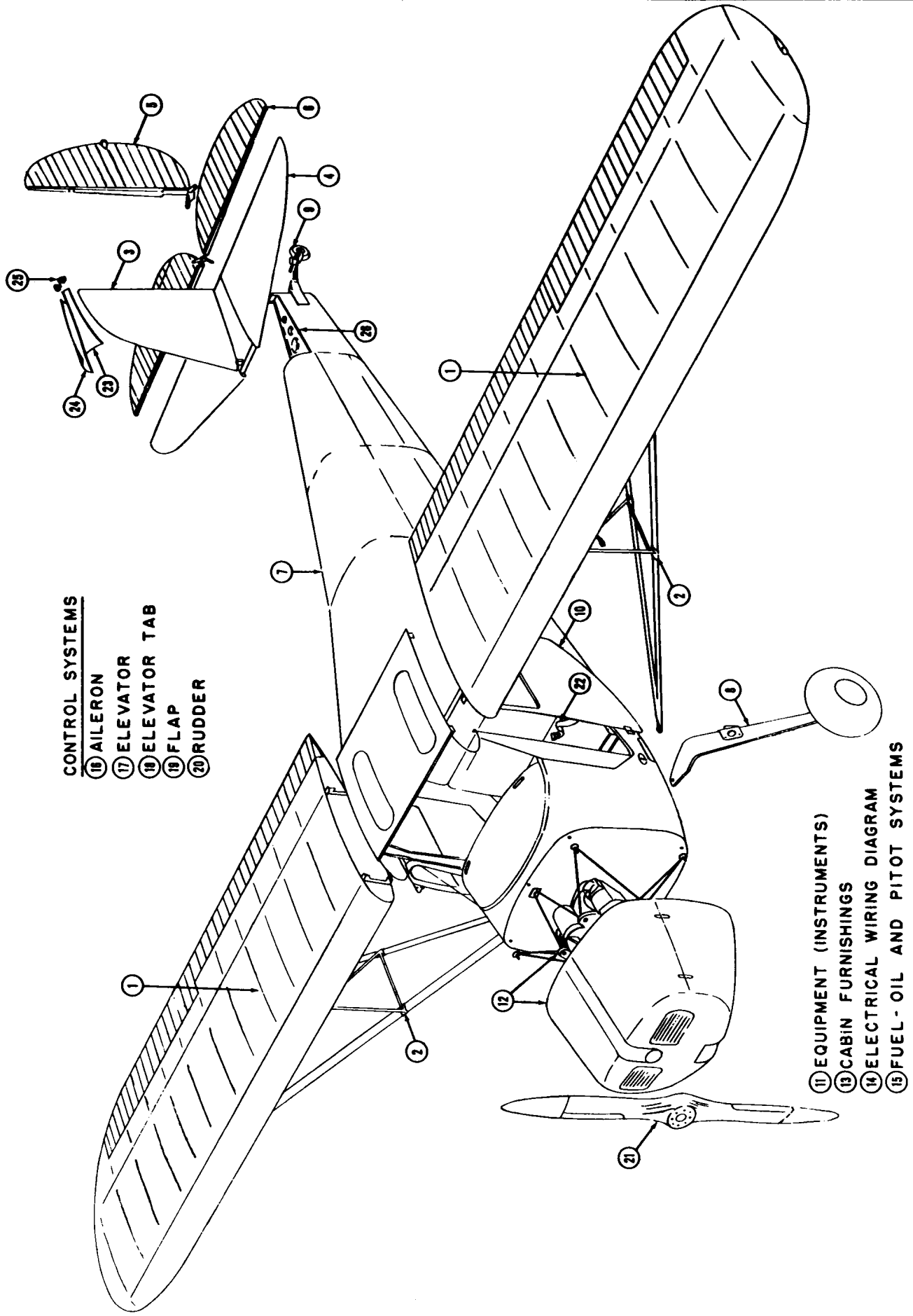


FIGURE 1 AIRPLANE ASSEMBLY

ILLUSTRATED PARTS CATALOG

FIGURE 1

AIRPLANE ASSEMBLY

FIGURE AND REF. NO.	PART NUMBER	PART NAME	UNITS REQUIRED ON MODELS	
			120	140
1-	0400001-12	Airplane Assembly - Model 120	1	
1-	0400001-14	Airplane Assembly - Model 140		1
1-1	See Figure 2	Wing Assembly	1	1
1-2	See Figure 10	Strut Assembly - Wing	1	1
1-3	See Figure 11	Fin Assembly	1	1
1-4	See Figure 12	Stabilizer Assembly	1	1
1-5	See Figure 13	Rudder Assembly	1	1
1-6	See Figure 14	Elevator Assembly	1	1
1-7	See Figure 15	Fuselage Assembly	1	1
1-8	See Figure 26	Landing Gear	1	1
1-9	See Figure 29	Tailwheel	1	1
1-10	See Figure 30	Door Assembly	1	1
1-11	See Figure 32	Equipment (Instruments) Model 120	1	
	See Figure 33	Equipment (Instruments) Model 140 (Serials 8001 - 11842)		1
	See Figure 34	Equipment (Instruments) Model 140 (Serials 11843 & up)		1
1-12	See Figure 35	Engine and Engine Cowl (Serials 8001 - 11842)	1	1
	See Figure 36	Engine and Engine Cowl (Serials 11843 & up)	1	1
1-13	See Figure 39	Cabin Upholstery - Model 140		1
	See Figure 40	Cabin Upholstery - Model 120	1	
1-14	See Figure 42	Wiring Diagram	1	1
1-15	See Figure 43	Fuel System	1	1
	See Figure 44	Pitot System	1	1
1-16	See Figure 45	Aileron Control System	1	1
1-17	See Figure 46	Elevator Control System	1	1
1-18	See Figure 47	Elevator Tab Control System	1	1
1-19	See Figure 48	Flap Control System		1
1-20	See Figure 49	Rudder Control System	1	1
1-21	74FK49	Propeller - Sensenich (Wood)	1	1
1-21		Propeller - Sensenich (Use on C-90 Engine) (Wood)		1
1-22	M264-54ACP	Safety Belt - Two Person (Serials 8001 - 10199) (Color tan)	1	1
	M264-54HCP	Safety Belt - Two Person (Serials 8001 - 10199) (Color green)	1	1
	CA2-4OACP	Safety Belt - Single (Serial 10200 & up) (Color tan)	1	1
	CA2-4OHP	Safety Belt - Single (Serial 10200 & up) (Color green)	1	1
	0411667	Bushing - Safety Belt Mounting	2	2
	AN3-25A	Bolt	2	2
	AN365-1032	Nut	2	2
1-23	0430006	Fairing Assembly - Empennage - Left	1	1
	0411875-1	Moulding - Empennage Fairing (X200 Rubber Channel)	2	2
	0430007	Fairing - Empennage	1	1
	0430008	Clip - Spring Attaching	1	1
	A1786-8Z-3	Nut - Tinnerman	1	1
	PK76XZ-8-6	Screw	1	1
	PK76XZ-8-8	Screw (Fairing attaching)	3	3
	S-4-2	Spring (Fairing attaching)	1	1
1-24	0430006-1	Fairing Assembly - Empennage - Right	1	1
	0411875-1	Moulding - Empennage Fairing (X200 Rubber Channel)	2	2
	0430007	Fairing - Empennage	1	1
	0430008	Clip - Spring Attaching	1	1
	A1786-8Z-3	Nut - Tinnerman	1	1
	PK76XZ-8-6	Screw	1	1
	PK76XZ-8-8	Screw (Fairing attaching)	3	3
	S-4-2	Spring (Fairing attaching)	1	1
1-25	0430009	Bracket - Empennage Fairing Stiffener	2	2
1-26	1032	Extrusion - Goodrich	AR	AR

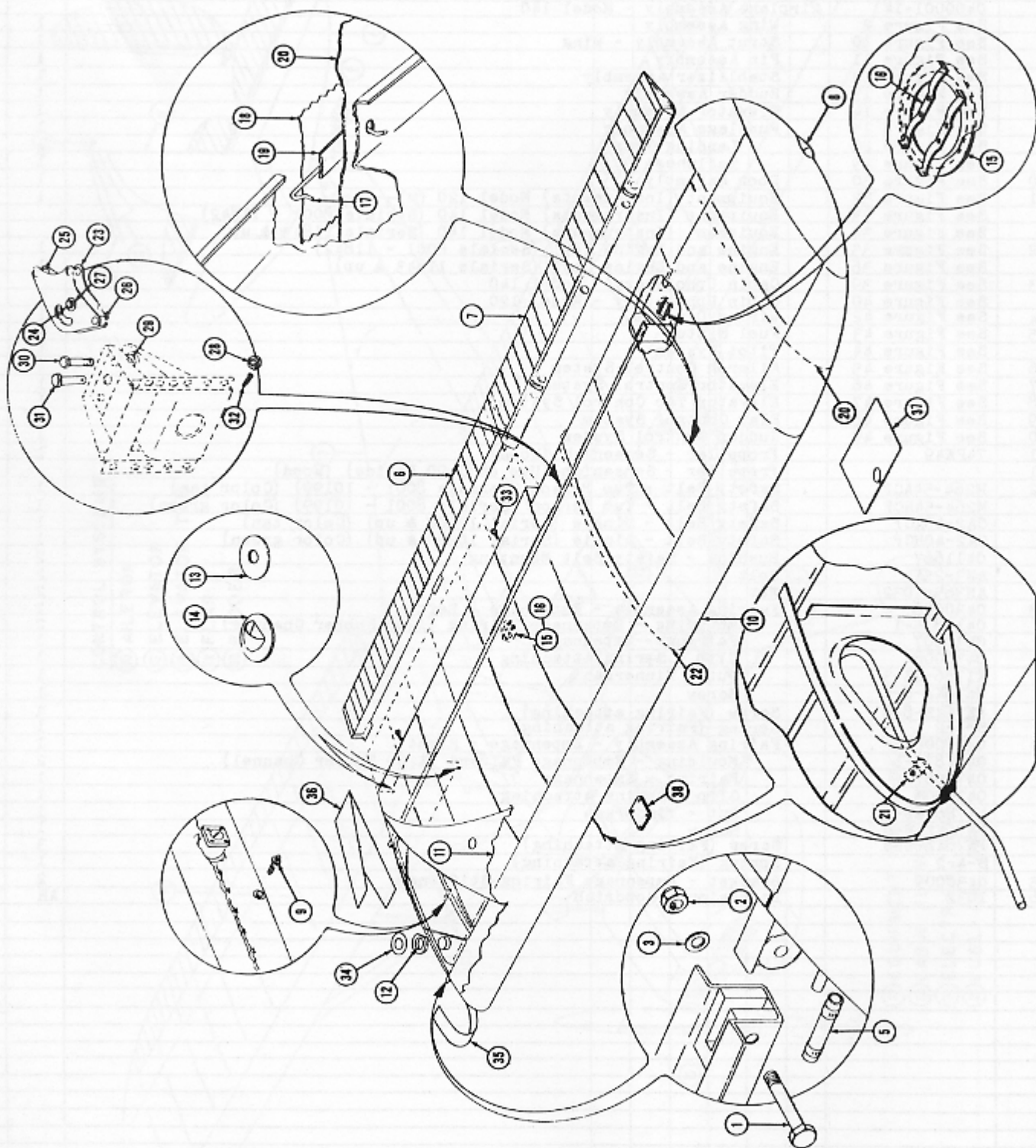


FIGURE 2-WING ASSEMBLY COMPLETE - LEFT

ILLUSTRATED PARTS CATALOG

FIGURE 2

WING ASSEMBLY COMPLETE - LEFT

FIGURE AND REF. NO.	PART NUMBER	PART NAME						UNITS REQUIRED ON MODELS	
		1	2	3	4	5	6	120	140
2-1	AN8-23A	Bolt						2	2
2-2	AN365-820	Nut						2	2
2-3	AN960-816	Washer						2	2
2-5	AN884-4-12	Hose - Pitot Line						1	1
	A3122-10-59	Clamp - Tinnerman						2	2
	0420001	Wing Assembly Complete - Model 140 - Left							1
	0420201	Wing Assembly Complete - Model 120 - Left						1	
2-6	See Figure 5	Flap Assembly - Left							1
2-7	See Figure 5	Aileron Assembly - Left						1	1
2-8	A-1285-G12	Light Assembly - Wing Position - Left							1
	A-1104	Fairing - Wing Position Light							1
	A-1280-2	Lens - Wing Position Light - (Red)							1
	1512	Bulb - Wing Position Light							1
	PK148-632-10	Screw - (Position Light Fairing Attachment)							1
	PK76XZ-6-6	Screw - (Position Light Attachment)							3
	0423119	Cover - Navigation Light Mounting						1	
2-9	0422130	Strainer Assembly - Fuel Tank						1	1
2-10	0420002	Wing Assembly Covered - Model 140 - Left							1
2-10	0420202	Wing Assembly Covered - Model 120 - Left						1	
	0420002-2	Patch - Wing Fabric - (Fuel Tank Neck)						1	1
	0420002-3	Patch - Wing Fabric - (Fuel Tank Drain)						1	1
2-11	0420002-4	Fabric Cover Predoped Wing - Model 140							1
2-11	0420202-4	Fabric Cover Predoped Wing - Model 120						1	
2-12	0422273	Block - Tank Section Fabric Attachment						1	1
2-13	S-20-4	Grommet - (Standard)						12	12
2-14	AN231-4	Grommet - (Drainage)						2	2
2-15	S-20-27	Grommet - (Inspection Opening)						2	2
2-16	0422349	Cover - (Inspection Opening)						2	2
2-17	S-43	Clip - Fabric						227	207
2-18	1 1/2"	Balloon Tape						360'	360'
2-19	3/8"	Herringbone Tape						144'	144'
2-20	0420002-6	Fabric Cover - Wing Tip						1	1
	0420002-5	Patch - Strut Area						1	1
	0420002-8	Patch - Jury Strut Area						1	1
2-21	A2980A-4	Clamp						1	1
	PK76XZ-8-6	Screw						1	1
2-22	0420002-9	Fabric Cover - Wing - (Sta. 116 to Tip)						1	1
2-23	0422162	Bellcrank Assembly - Aileron - Left						1	1
2-24	0422161	Bushing - Aileron Bellcrank						1	1
2-25	0422280	Bushing - Aileron Bellcrank						1	1
2-26	0422299	Bushing - Aileron Bellcrank						1	1
2-27	B610X	Bearing - Torrington						1	1
2-28	AN365-428	Nut						1	1
2-29	AN960-616L	Washer						2	2
2-30	AN4-12A	Bolt						1	1
2-31	AN395-29	Pin - Clevis						1	1
2-32	AN380-3-3	Pin - Cotter						1	1
2-33	0422237	Bolt - Flap Stop							2
2-34	S-20-29	Grommet - (Fuel Tank Filler Neck)						2	2
2-35	0420006	Fairing Assembly - Wing Forward - Left						1	1
	0420006-3	Felt - Forward Wing Fairing - (1/8" x 3/4" x 18")						1	1
	PK76XZ-8-8	Screw - (Forward Fairing Attachment - Upper)						4	4
	PK79XZ-8-8	Screw - (Forward Fairing Attachment - Lower)						5	5
	0411852	Washer - (Wing Fairing - Lower)						5	5
	A1786-8Z-3	Nut - (Fuel Drain Safety Wire)						1	1
2-36	0420010	Fairing Assembly - Wing Rear - Left						1	
	0411875-2	Moulding - Wing Rear Fairing - (X200 Rubber Channel)						1	
	PK76XZ-8-8	Screw - (Rear Fairing Attachment)						10	
2-36	0420009	Fairing Assembly - Wing Rear - Left							1
	0411875-2	Moulding - Wing Rear Fairing - (X200 Rubber Channel)							1
	0420008	Fairing - Wing Rear - Left							1
	0420011	Rib - Wing Rear Fairing - Left							1
	A1348-8Z-3	Nut - Tinnerman - (Rear Fairing Attachment)							1
	PK76XZ-8-8	Screw - Rear Fairing Attachment							10
2-37	0422230-2	Plate Assembly - Aileron Bracket Inspection - Left						1	1
	0422223-4	Plate - Aileron Bracket Inspection - Left						1	1
	0422253	Seal - Rear Strut - Upper - (X200 Rubber Channel)						1	1
	PK76XZ-8-8	Screw - (Aileron Inspection Plate Attachment)						10	10
2-38	0422274	Plate - Pitot Tube Inspection						1	1
	PK76XZ-8-8	Screw - (Pitot Tube Inspection Plate Attachment)						4	4

ORDER BY PART NUMBER AND NAME

SERIAL NUMBER AND COLOR IF APPLICABLE

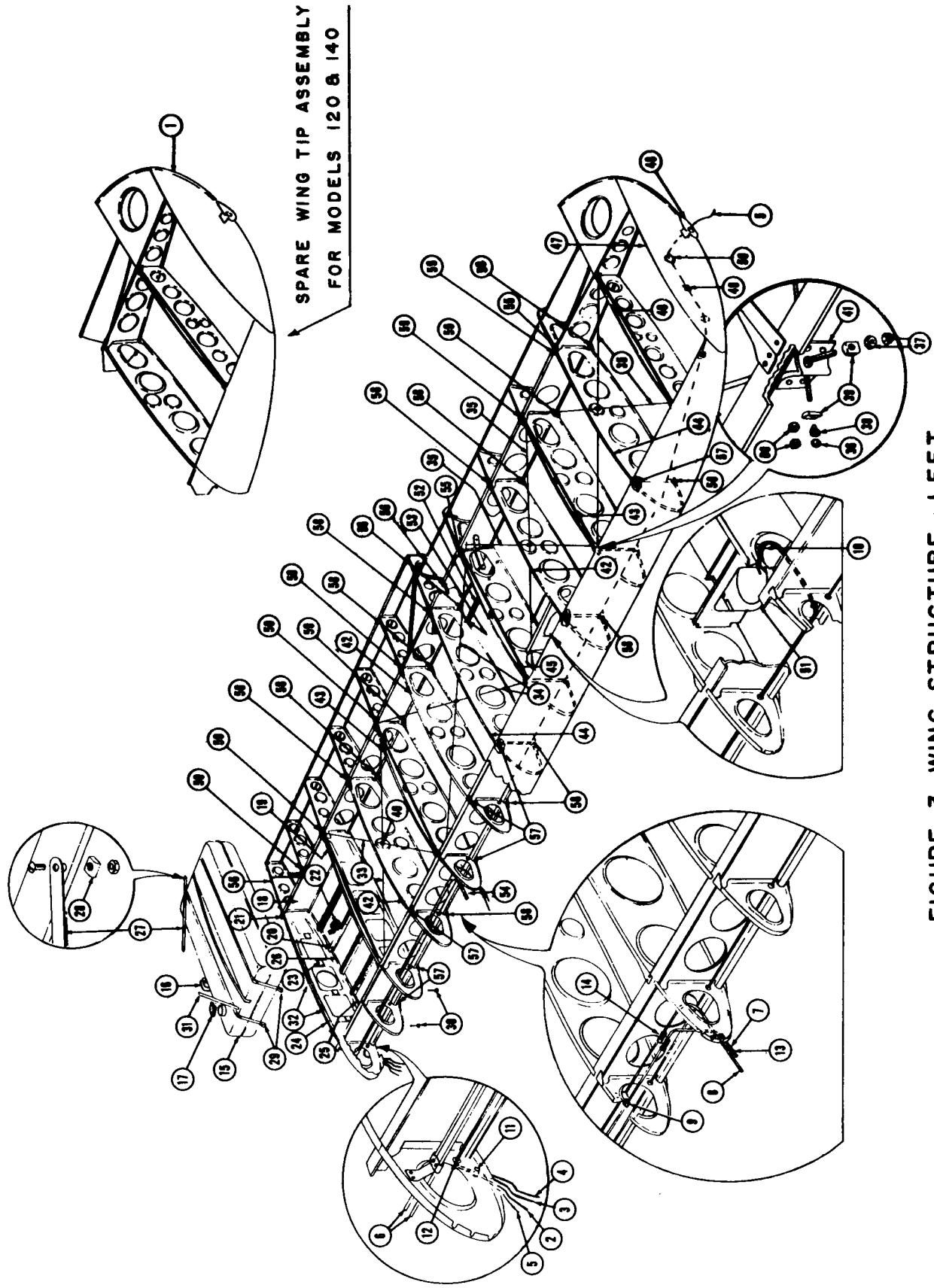


FIGURE 3 - WING STRUCTURE - LEFT

ILLUSTRATED PARTS CATALOG

FIGURE 3

WING STRUCTURE - LEFT

FIGURE AND REF. NO.	PART NUMBER	PART NAME						UNITS REQUIRED ON MODELS	
		1	2	3	4	5	6	120	140
3-	0420100-3						Wing Structure - Model 140 - Left - (Less Fuel Tank)		1
3-	0420200-3						Wing Structure - Model 120 - Left - (Less Fuel Tank)	1	
3-	0420100						Wing Structure - Model 140 - Left		1
3-	0420200						Wing Structure - Model 120 - Left	1	
3-1	0420200-6						Wing Tip Assembly - Left - (Special Spare Consisting of Leading Edge and Trailing Edge Tip Assemblies, Tip Assembly, Outboard Auxiliary Spar and 0422326 and 0422212 Ribs)	1	1
3-2	0400005-39						Wire - (Landing Light to Wing Root)		1
	A-50						Terminal - Sta-Kon		1
3-3	0400005-40						Wire - (Landing Light to Wing Root)		1
	A-50						Terminal - Sta-Kon		1
3-4	0400005-43						Wire - (Landing Light to Wing Root)		1
	C-50						Terminal - Sta-Kon		1
3-5	0400005-38						Wire - (Wing Position Light - Left)	1	1
	A-50						Terminal - Sta-Kon	1	1
3-6	0400106-20						Line Assembly - Wing Pitot - (2 Req'd Serial 8001-10299)	1	1
3-7	0400106-21						Line Assembly - Wing Nose Static Pitot - (Serial 8001-10299)	1	1
3-8	0400106-22						Line Assembly - Wing Nose Pitot	1	1
3-9	A2980A-4						Clamp - Tinnerman - (4 Req'd Serial 8001-10299)	2	2
	AN526-632R8						Screw - Pitot Tube Clamp (4 Req'd Serial 8001-10299)	2	2
	AN365-632						Nut - Pitot Tube Clamp - (4 Req'd Serial 8001-10299)	2	2
3-10	A3047A-4						Clamp - Tinnerman - (Attach Landing Light Wires to Bracket)		1
	PK76XZ-8-6						Screw - (Wire Clamp)		1
3-11	A3047A-4						Clamp - Tinnerman - (Attach Pitot Tube to Rib)		1
3-11	A2981A-2						Clamp - Tinnerman	1	
	PK76XZ-8-6						Screw	1	1
3-12	AN931-5-9						Grommet		1
3-12	AN931-4-7						Grommet	1	
3-13	AN2980A-4						Clamp - Tinnerman - (Serial 8001-10299)	2	2
	AN365-632						Nut - (Serial 8001-10299)	1	1
	AN526-632R8						Screw - (Serial 8001-10299)	1	1
3-14	AN815-4D						Union - (2 Req'd 8001-10299)	1	1
3-15	042122-4						Tank Assembly - Fuel - Left - (12 1/2 Gallon Capacity)	1	1
3-16	A-21-2216						Fuel Gauge - Direct Reading - (Scott)	1	1
	10008-7						Decal - Fuel Gauge - (No Take Off Warning)	1	1
	AN502-416-10						Screw - (Fuel Gauge Attachment)	4	4
	1114-5						Washer - Shakeproof	4	4
3-17	0422009-1						Cap Assembly - Fuel Tank	1	1
	AG39A4241						Gasket - (Fuel Tank Cap)	1	1
	0422330						Outlet - Fuel Tank Drain - (Interchangeable with AN871-4D Flange)	1	1
	AN814-4D						Plug - (Fuel Tank Drain)	1	1
	AN902-4						Gasket - (Fuel Tank Drain Plug)	1	1
	0422346						Cap - Vent Line - (Used for Spares Only on Airplanes Prior to Serial 14004)	1	1
	A3122-12-59						Clamp - Tinnerman - (Vent Line Cap Attachment)	1	1
3-18	0422260-10						Rib and Cover Assembly - Fuel Tank Well - Left	1	1
3-19	0422317						Rib Assembly - Fuel Tank Well - Left	1	1
3-20	0422196						Hat Section - Fuel Tank Well	5	5
3-21	0422235						Rib Assembly - Wingroot - Left	1	1
	0422234						Clip - Wingroot Fabric	2	2
3-22	0422238						Pad - Hat Tank Support	5	5
3-23	0422277						Pad - Fuel Tank Rib - (1/16 x 3/4 x 1 3/8)	9	9
3-24	A1789-8Z-3						Nut - Tinnerman	2	2
3-25	A6162-8Z-3						Nut - Tinnerman	5	5
3-26	A6163-8Z-3						Nut - Tinnerman	1	1
3-27	0422151						Brace - Inboard Fuel Tank	1	1
3-28	0422218						Spacer - (Fuel Tank Brace Attachment)	2	2
	AN526-632R9						Screw - (Fuel Tank Brace Attachment)	2	2
	AN365-632						Nut	2	2
3-29	0422255						Strap Assembly - Fuel Tank	2	2
	0422257						Pad - Fuel Tank Strap	1	1
3-30	AN526-1032R26						Screw - (Tie Down Fuel Tank Straps)	4	4
3-31	0422272						Brace - Fuel Tank Inboard	1	1
3-32	AN526-632R5						Screw - Brace Attachment	2	2
	AN365-632						Nut - Brace Attachment	2	2
3-33	0422008-1						Wire - Wing Drag	2	2
3-34	0422008-2						Wire - Wing Drag	2	2
3-35	0422008-4						Wire - Wing Drag - (Serial 12599 & up and All Spares)	4	4
	0422008-3						Wire - Wing Drag - (Not Available as Spare Part See 0422008-4)	4	4
	0422312						Spacer - Small Dragwire	2	2
3-36	0422211-1						Nut - Dragwire - (Serial 8001-12599) (Use 0422211-3 for Serial 12599 & Up and 0422008-4 Replacements)	8	8
3-37	0422211-2						Nut - Dragwire	16	16

FIGURE 3

WING STRUCTURE - LEFT

FIGURE AND REF. NO.	PART NUMBER	PART NAME						UNITS REQUIRED ON MODELS	
		1	2	3	4	5	6	120	140
3-38	0422231						Nut - Dragwire - (Serial 8001-12599) (Use 0422211-3 for Serial 12599 & Up and 0422008-4 Replacements)	8	8
3-39	0422156						Washer - Dragwire Attachment	16	16
3-40	0422295						Spacer - Wing Dragwire	2	2
3-41	0422110						Fitting - Dragwire Attachment	8	8
3-42	0422148						Rib - Wing Center Section	3	3
3-43	0422325						Rib Assembly - Wing Center Compression - (Sta. 72.125 & 146)	2	2
3-44	0422212						Rib - Wing Center Section	2	2
3-45	0422320						Rib Assembly - Compression - (Sta. 116)	1	1
3-46	0422326						Rib Assembly - Compression - Left - (Sta. 176)	1	1
3-47	0422200						Tip Assembly - Wing	1	1
3-48	0423116						Mount Assembly - Navigation Light	1	1
3-49	A2981A-2						Clamp - Tinnerman - (Navigation Light Wire)	1	1
	PK76XZ-B-6						Screw - (Navigation Light Wire Clamp)	1	1
3-50	AN931-3-5						Grommet	1	1
	AN526-1032R9						Screw - (Attachment Wing Tip)	4	4
	AN365-1032						Nut - (Attachment Wing Tip)	4	4
3-51	0422313						Plate - Landing Light Mounting - Left	1	1
3-52	0422203						Angle - Aileron Inspection Plate Attachment	1	1
3-53	A1274-8Z-3						Nut - Tinnerman - (Aileron Inspection Plate Angle)	5	5
3-54	0422265						Angle - Wing Leading Edge	1	1
3-55	0422209						Shim - Rear Spar Rib	2	2
3-56	A1789-8Z-3						Nut - Tinnerman - (Aileron Inspection Plate Attachment)	4	4
	A1348-8Z-3						Nut - Tinnerman - (Root Trailing Edge Rib Lower Side)	4	3
	A6191A-8Z-3						Nut - Tinnerman - (Inboard Aileron Hinge Rib)	1	1
	A1789-8Z-3						Nut - Tinnerman - (Root Trailing Edge Rib Upper Side)	4	3
3-56	0422351						Clip - (Serial 14497 & Up)	10	10
3-57	0422006						Clip - (Serial 14497 & Up)	13	13
3-58	0522607						Clip - (Serial 14497 & Up)	8	8
3-59	0422211-3						Nut - Dragwire (Serial 12599 & Up and 0422008-4 Replacements)	16	16

FIGURE 4

WING - LEADING AND TRAILING EDGE ASSEMBLIES - LEFT

4-1	0422001						Leading Edge Assembly - Wing - Left	1	1
4-2	0422106						Spar Assembly - Wing Front - Left	1	1
4-3	0422229						Fitting - Wing Spar Reinforcement	2	2
4-4	0422198						Reinforcement - Wing Front Strut - Upper	1	1
4-5	0422158						Fitting - Front - Upper	2	2
4-6	0422159						Spacer - Front Strut Spar Fitting	2	2
4-8	0422264						Angle - Jury Strut Upper Attachment	2	2
4-9	0422266						Plate - Front Strut Upper Fitting	1	1
4-10	AN365-124						Nut - (Strut Fitting Attachment)	2	2
4-11	AN5-12A						Bolt - (Strut Fitting Attachment)	1	1
4-12	AN5-24A						Bolt - (Strut Fitting Attachment)	1	1
4-13	AN200-516						Washer - (Strut Fitting Attachment)	4	4
4-14	0422186-2						Skin Assembly - Wing Leading Edge - Left	1	1
4-15	0422138-3						Rib - Wing Nose - (Sta. 22.125)	1	1
4-16	0422337						Rib Assembly - Wing Nose	7	7
4-17	0422337-2						Rib Assembly - Wing Nose - Left - (Sta. 72.125)	1	1
4-18	0422338						Rib Assembly - Wing Nose - (Sta. 116 & 101)	2	2
4-19	0422185-3						Skin - Wing Leading Edge - Left	1	1
4-20	0422-91						Bracket - Pitot Tube Inboard	1	1
4-21	0422292						Bracket - Pitot Tube Outboard	1	1
4-22	A1787-8Z-3						Nut - Tinnerman - (Pitot Inspection Plate)	3	3
4-23	A6191-8Z-3						Nut - Tinnerman - (Pitot Tube Attachment) (2 Req'd Serial 8001-10299)	1	1
4-24	A619-4-8Z-3						Nut - Tinnerman	1	1
4-25	AN931-4-7						Grommet - (2 Req'd Serial 8001-10299)	1	1
4-26	0413224						Scoop Assembly - Cabin Vent	1	1
4-27	0423460						Tip Assembly - Wing Leading Edge - Left	1	1
4-28	0423113						Spar Tip - Wing Leading Edge - Left	1	1
4-29	0423112						Skin - Wing Leading Edge Tip - Left	1	1
4-30	AN931-3-5						Grommet - (Navigation Light Wire Protection)	1	1
4-31	0422000						Trailing Edge Assembly - Wing - Left - Model 140	1	1
4-32	0422201						Trailing Edge Assembly - Wing - Left - Model 120	1	1
4-33	0422112						Spar Assembly - Wing Rear - Left	2	2
4-34	0422229						Fitting - Wing Spar Reinforcement	2	2
4-35	0422271						Bracket Assembly - Aileron Bellcrank - Left	1	1
4-36	0422182						Spacer - Wing Rear Strut Attachment	1	1
4-37	0422183						Angle - Wing Rear Strut Rear Attachment	1	1
4-38	0422184						Angle - Wing Rear Strut Front Attachment	1	1
4-39	AN365-408						Nut	3	3
	AN906-416						Washer	3	3

ORDER BY PART NUMBER AND NAME

SERIAL NUMBER AND COLOR IF APPLICABLE

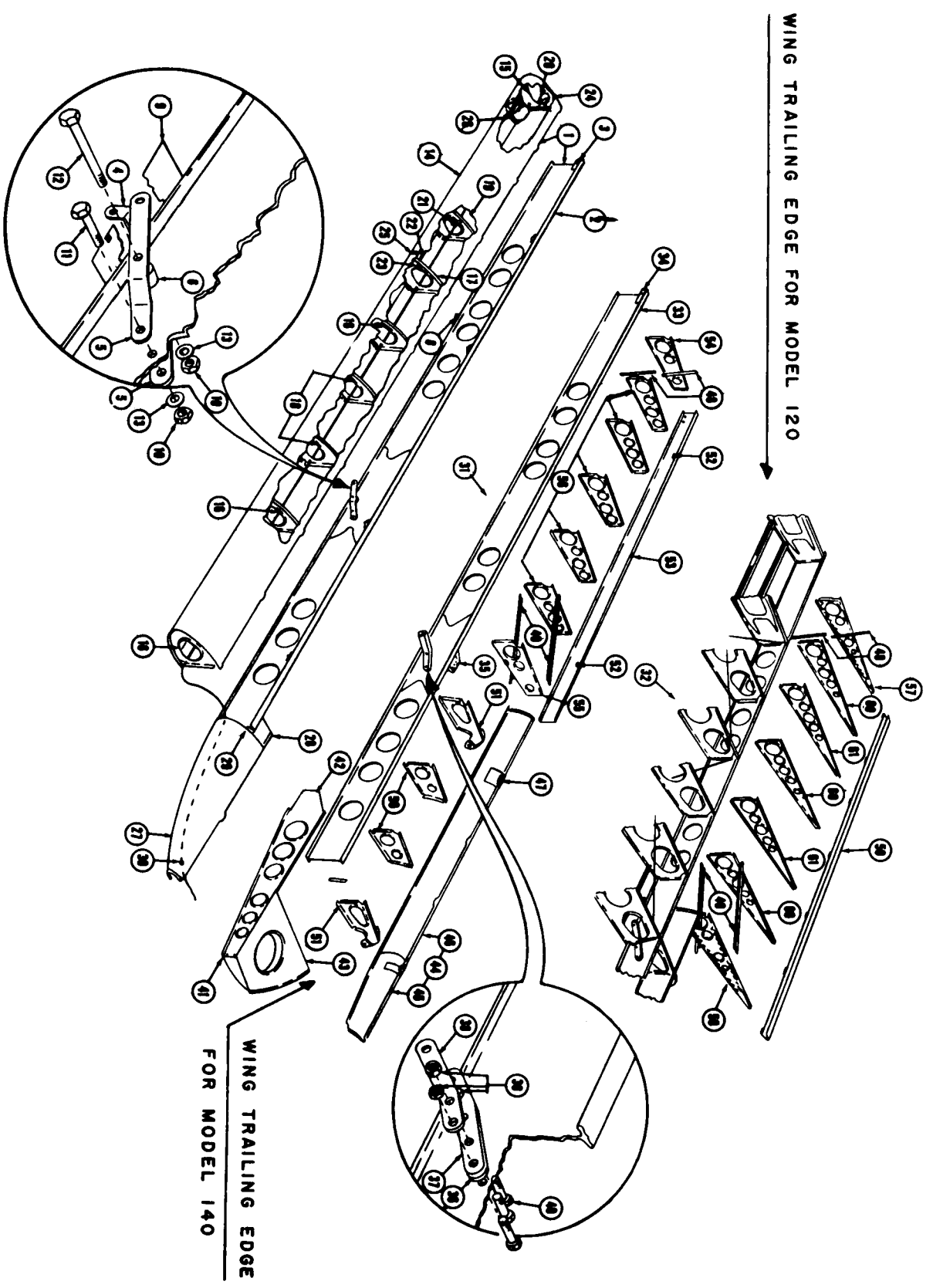


FIGURE 4-- LEFT WING LEADING & TRAILING EDGE ASSEMBLIES

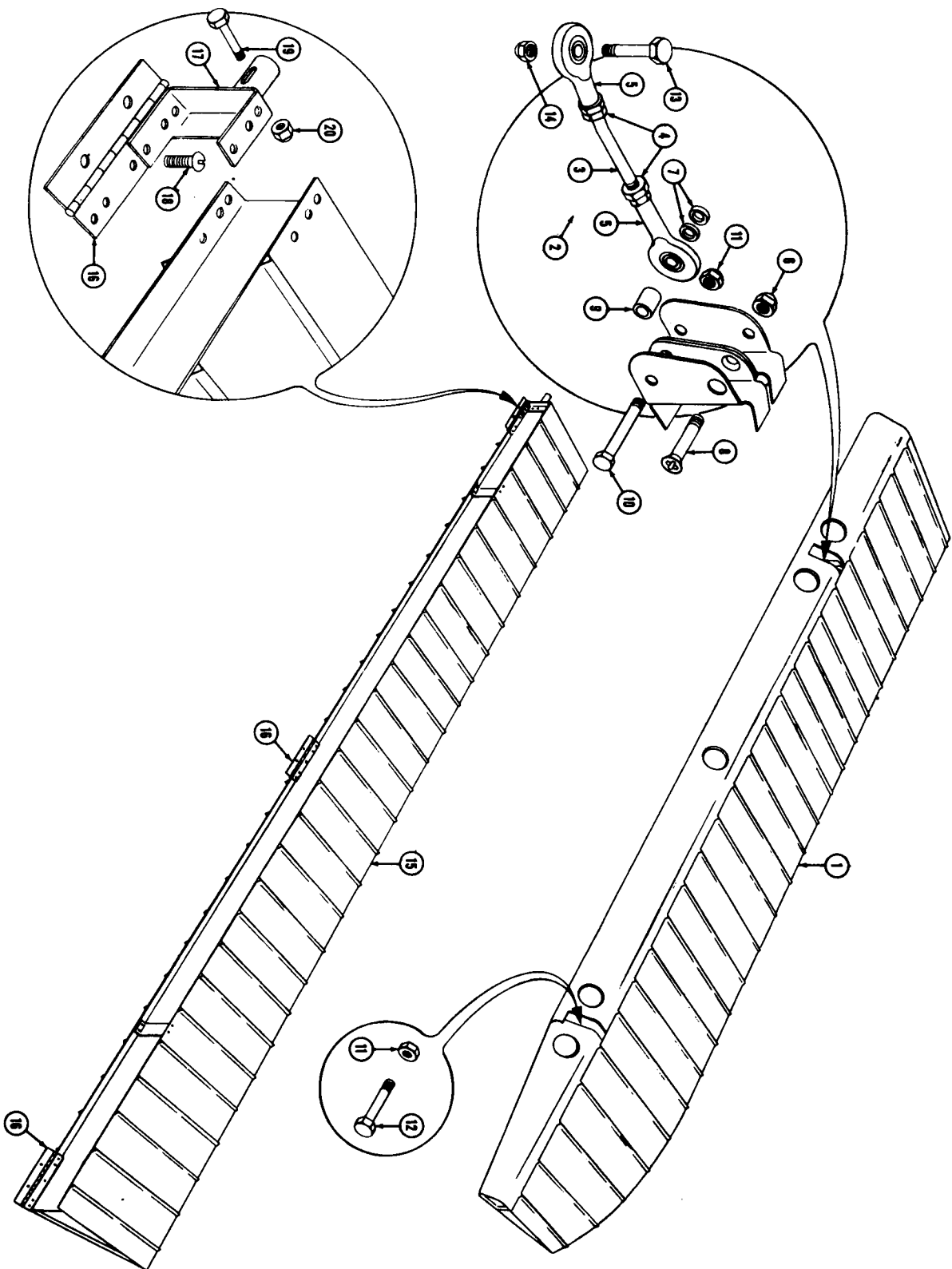


FIGURE 5 AILERON AND FLAP ASSEMBLIES - LEFT

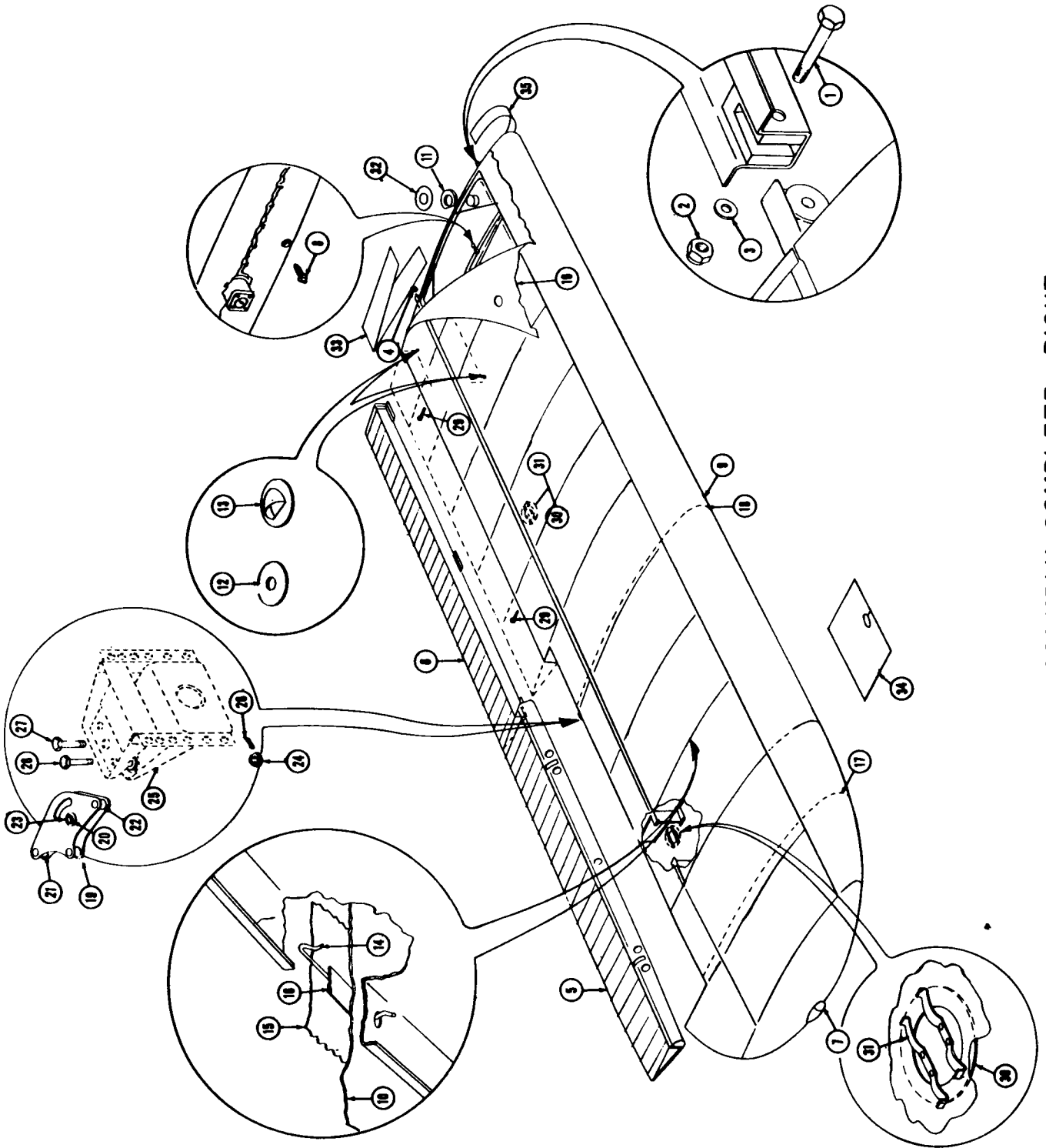


FIGURE 6 - WING ASSEMBLY COMPLETE RIGHT

FIGURE 6

WING ASSEMBLY COMPLETE - RIGHT

FIGURE AND REF. NO.	PART NUMBER	PART NAME						UNITS REQUIRED ON MODELS	
		1	2	3	4	5	6	120	140
6-1	AN8-23A	Bolt						2	2
6-2	AN365-820	Nut						2	2
6-3	AN960-816	Washer						2	2
6-4	0420007	Spacer - Spar Attachment						1	1
6-	0420001-1	Wing Assembly Complete - Model 140 - Right							1
6-	0420201-1	Wing Assembly Complete - Model 120 - Right						1	
6-5	(See Figure 9)	Aileron Assembly - Right						1	1
6-6	(See Figure 9)	Flap Assembly - Right							1
6-7	A1285-G12	Light Assembly - Wing Position - Right							1
	A-1104	Fairing - Wing Position Light							1
	A1280-3	Lens - Wing Position Light Green							1
	1512	Bulb - Wing Position Light							1
	PK148-632-10	Screw - Position Light Fairing Attachment							1
	PK76XZ-6-6	Screw - Position Light Attachment							3
	0423119	Cover - Navigation Light Mounting						1	
6-8	0422130	Strainer Assembly - Fuel Tank						1	1
6-9	0420002-1	Wing Assembly Covered - Model 140 - Right							1
6-9	0420202-1	Wing Assembly Covered - Model 120 - Right						1	
	0420002-2	Patch - Wing Fabric (Fuel Tank Neck)						1	1
	0420002-3	Patch - Wing Fabric (Fuel Tank Drain)						1	1
6-10	0420002-4	Fabric Cover - Predoped Wing - Model 140							1
6-10	0420202-4	Fabric Cover - Predoped Wing - Model 120						1	
6-11	0422273	Block - Tank Section Fabric Attachment						1	1
6-12	S-20-4	Grommet - Standard						12	12
6-13	AN231-4	Grommet - Drainage						2	2
6-14	S-43	Clip - Fabric						227	207
6-15	1 1/2"	Balloon Tape						360	360
6-16	3/8"	Herringbone Tape						144	144
6-17	0420002-7	Envelope - Wing Tip Cover Fabric - Right						1	1
	0420002-5	Patch - Strut Area						1	1
	0420002-8	Patch - Jury Strut Area						1	1
6-18	0420002-10	Fabric Cover - Wing Tip						1	1
6-19	0422162-1	Bellcrank Assembly - Aileron - Right						1	1
6-20	0422161	Bushing - Aileron Bellcrank						1	1
6-21	0422280	Bushing - Aileron Bellcrank						1	1
6-22	0422299	Bushing - Aileron Bellcrank						1	1
6-23	B610X	Bearing - Torrington						1	1
6-24	AN365-428	Nut - Aileron Bellcrank Attaching						1	1
6-25	AN960-616L	Washer - Aileron Bellcrank						2	2
6-26	AN4-12A	Bolt - Aileron Bellcrank						1	1
6-27	AN395-29	Pin - Clevis						1	1
6-28	AN380-3-3	Pin - Cotter						1	1
6-29	0422237	Bolt - Flap Stop						2	2
6-30	S-20-27	Grommet - Inspection Opening						2	2
6-31	0422349	Cover - Inspection Opening						2	2
6-32	S-20-29	Grommet - Fuel Tank Filler Neck						1	1
6-33	0420010-1	Fairing Assembly - Wing Rear - Right						1	
	0411875-2	Moulding - Wing Rear Fairing (X200 Rubber Channel)						1	
	PK76XZ-8-8	Screw - Rear Fairing Attachment						10	
6-33	0420009-1	Fairing Assembly - Wing Rear - Right							1
	0411875-2	Moulding - Wing Rear Fairing (X200 Rubber Channel)							1
	PK76XZ-8-8	Screw - Rear Fairing Attachment							10
	0420008-1	Fairing - Wing Rear - Right							1
	0420011-1	Rib - Wing Fairing - Right							1
	A1348-82-3	Nut - Tinnerman - Rear Fairing Attachment							1
6-34	0422230-3	Plate Assembly - Aileron Bracket Inspection - Right						1	1
	0422223-5	Plate - Aileron Bracket Inspection - Right						1	1
	0422253	Seal - Rear Strut - Upper (X200 Rubber Channel)						1	1
	PK76XZ-8-8	Screw - Aileron Inspection Plate Attachment						10	10
6-35	0420006-1	Fairing Assembly - Wing Forward - Right						1	1
	0420006-3	Felt - Forward Wing Fairing						1	1
	PK76XZ-8-8	Screw - Forward Fairing Attachment - Upper						4	4
	PK76XZ-8-8	Screw - Forward Fairing Attachment - Lower						5	5
	O411852	Washer - Wing Fairing - Lower						5	5
	A1786-82-3	Nut - Fuel Drain Safety Wire						1	1

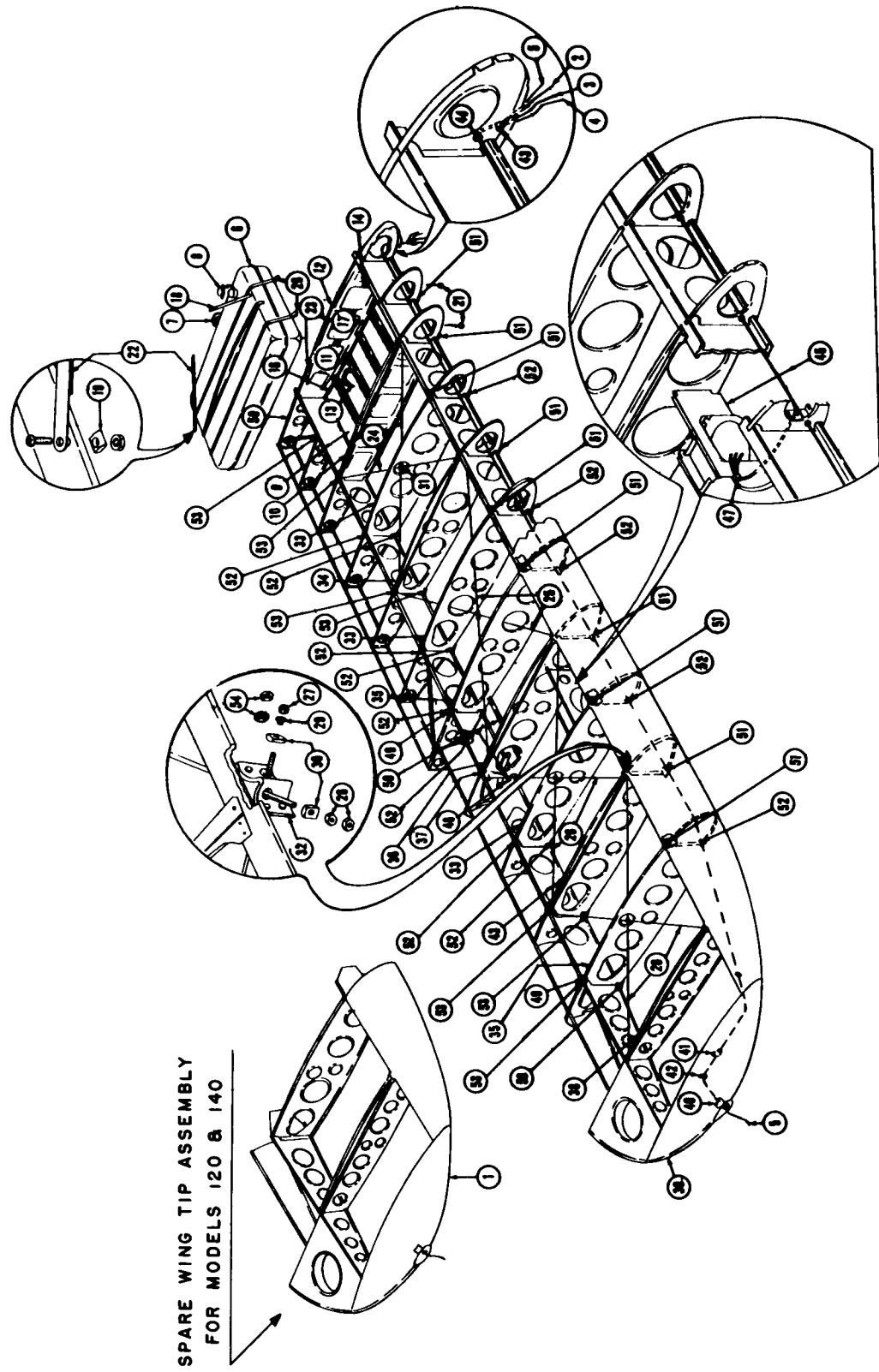


FIGURE 7 - WING STRUCTURE - RIGHT

FIGURE 7

WING STRUCTURE - RIGHT

FIGURE AND REF. NO.	PART NUMBER	PART NAME						UNITS REQUIRED ON MODELS	
		1	2	3	4	5	6	120	140
7-	0420100-1						Wing Structure - Model 140 - Right		1
7-	0420200-1						Wing Structure - Model 120 - Right	1	
7-1	0420200-7						Wing Tip Assembly - Right - (Special Spare Consisting of Leading and Trailing Edge Tip Assemblies, Tip Assembly, Outboard Auxiliary Spar and 0422326-1 and 0422212 Ribs)	1	1
7-2	0400005-46						Wire - (Landing Light to Wing Root) (Optional After Serial 9710) - Right		1
	C-50						Terminal - (Tip Disconnect Splice)		1
7-3	0400005-48						Wire - (Landing Light to Wing Root) (Optional After Serial 9710) - Right		1
	A-50						Terminal - (Tip Disconnect Splice)		1
7-4	0400005-50						Wire - (Landing Light to Wing Root) (Optional After Serial 9710) - Right		1
	A-50						Terminal - (Tip Disconnect Splice)		1
7-5	0400005-37						Wire - (Wing Position Light) - Right	1	1
	A-50						Terminal - (Tip Disconnect Splice)	1	1
7-6	0422122-3						Tank Assembly - Fuel - Right - (12 1/2 Gallon Capacity)	1	1
7-7	A21-2216						Fuel Gauge - Direct Reading - (Scott)	1	1
	10008-7						Decal - Fuel Gauge - (No Take Off Warning)	1	1
	AN502-416-10						Screw - (Fuel Gauge Attachment)	4	4
	1114-5						Washer - Shakeproof	4	4
7-8	0422009-1						Cap Assembly - Fuel Tank	1	1
	AC39A4241						Gasket - (Fuel Tank Cap)	1	1
	0422330						Outlet - Fuel Tank Drain - (Interchangeable with AN871-4D Flange)	1	1
	AN814-4D						Plug - (Fuel Tank Drain)	1	1
	AN902-4						Gasket - (Fuel Tank Drain Plug)	1	1
	0422346						Cap - Vent Line - (Used for Spares Only on Airplanes Prior to Serial 14004)	1	1
	A3122-12-59						Clamp - Tinnerman - (Vent Line Cap Attachment)	1	1
7-9	0422260-11						Rib and Cover Assembly - Fuel Tank Well - Right	1	1
7-10	0422317-1						Rib Assembly - Fuel Tank Well - Right	1	1
7-11	0422196						Hat Section - Fuel Tank Well	5	5
7-12	0422235-1						Rib Assembly - Wing Root - Right	1	1
	0422234						Clip - Wing Root Fabric	2	2
7-13	0422238						Pad - Hat Tank Support	5	5
7-14	0422277						Pad - Fuel Tank Rib - (1/16 x 3/4 x 1 3/8)	9	9
7-16	A6162-8Z-3						Nut - Tinnerman	5	5
7-17	A6163-8Z-3						Nut - Tinnerman	1	1
7-18	0422151						Brace - Inboard Fuel Tank	1	1
7-19	0422218						Spacer - Fuel Tank Brace Attachment	2	2
	AN526-632R-9						Screw - Fuel Tank Brace Attachment	2	2
	AN365-632						Nut	2	2
7-20	0422255						Strap Assembly - Fuel Tank	2	2
	0422257						Pad - Fuel Tank Strap	1	1
7-21	AN526-1032R26						Screw - (Tie Down Fuel Tank Straps)	4	4
7-22	0422272						Brace - Fuel Tank Inboard	1	1
7-23	AN526-632R5						Screw - (Brace Attachment)	2	2
	AN365-632						Nut - (Brace Attachment)	2	2
7-24	0422008-1						Wire - Wing Drag	2	2
7-25	0422008-2						Wire - Wing Drag	2	2
7-26	0422008-4						Wire - Wing Drag - (Serial 12599 & Up and All Spares)	4	4
	0422008-3						Wire - Wing Drag - (Not Available as Spare Part See 0422008-4)	4	4
	0422312						Spacer - Small Drag Wire - (Serial 8001-12599)	2	2
7-27	0422211-1						Nut - Dragwire - (Serial 8001-12599) (Use 0422211-3 for Serial 12599 & Up and 0422008-4 Replacements)	8	8
7-28	0422211-2						Nut - Dragwire - (Two Inboard Bays)	16	16
	0422211-3						Nut - Dragwire - (Two Outboard Bays) (Serial 12599 & Up and All Spares)	16	16
7-29	0422231						Nut - Dragwire - (Serial 8001-12599) (Use 0422211-3 for Serial 12599 & Up and 0422008-4 Replacements)	8	8
7-30	0422156						Washer - Dragwire Attachment	16	16
7-31	0422295						Spacer - Wing Dragwire	2	2
7-32	0422110						Fitting - Dragwire Attachment	8	8
7-33	0422148						Rib - Wing Center Section	3	3
7-34	0422325						Rib Assembly - Wing Center Compression - (Sta. 72.125 & 146)	2	2
7-35	0422212						Rib - Wing Center Section	2	2
7-36	0422320						Rib Assembly - Compression - (Sta. 116)	1	1
7-37	0422329						Spacer - Aileron Hinge Rib - (Sta. 116)	4	4
7-38	0422326-1						Rib Assembly - Compression - (Sta. 176) - Right	1	1
7-39	0423200						Tip Assembly - Wing	1	1
7-40	0423116						Mount Assembly - Navigation Light	1	1
7-41	A2981A-2						Clamp - Tinnerman - (Navigation Light Wire)	1	1
	PK76XZ-8-6						Screw - (Navigation Light Wire Clamp)	1	1

FIGURE 7

WING STRUCTURE - RIGHT

FIGURE AND REF. NO.	PART NUMBER	PART NAME						UNITS REQUIRED ON MODELS	
		1	2	3	4	5	6	120	140
7-42	AN931-3-5						Grommet	1	1
	AN526-1032R9						Screw - (Attach Wing Tip)	4	4
	AN365-1032						Nut - (Attach Wing Tip)	4	4
7-43	A3047A-4						Clamp - Tinnerman - (Optional After Serial 9710)		1
7-43	A2981A-2						Clamp - Tinnerman - (Navigation Light Wire Only)	1	1
	PK76X2-8-6						Screw - (Wire Clamp)	1	1
7-44	AN931-5-9						Grommet	1	1
7-45	0422331						Plate - Landing Light Mounting - (Optional After Serial 9710)		1
7-47	A3047A-4						Clamp - (Optional After Serial 9710)		1
	PK76X2-8-6						Screw - (Wire Clamp)		1
7-48	0422222						Angle - Aileron Inspection Plate Attachment	1	1
	A1274-8Z-3						Nut - Tinnerman - (Aileron Inspection Plate Angle)	5	5
7-49	0422209						Shim - Rear Spar Rib	2	2
7-50	A1789-8Z-3						Nut - Tinnerman - (Root Trailing Edge Upper Side)	4	3
7-50	A1789-8Z-3						Nut - Tinnerman - (Aileron Inspection Attachment)	4	4
	A6195A-8Z-3						Nut - Tinnerman - (Inboard Aileron Hinge Rib)	1	1
7-51	0422351						Clip - (Serial 14497 & Up)	10	10
7-52	0522606						Clip - (Serial 14497 & Up)	13	13
7-53	0522607						Clip - (Serial 14497 & Up)	8	8
7-54	0422211-3						Nut - (Serial 12599 & Up and 0422008-4 Replacements)	8	8

FIGURE 8

WING - LEADING AND TRAILING EDGE ASSEMBLIES - RIGHT

8-1	0422001-1						Leading Edge Assembly - Wing - Right	1	1
8-2	0422106-1						Spar Assembly - Wing Front - Right	1	1
8-3	0422229						Fitting - Wing Spar Reinforcement	2	2
8-4	0422158						Fitting - Front Upper Strut	2	2
8-5	0422159						Spacer - Front Strut Spar Fitting	2	2
8-6	0422198						Reinforcement - Wing Front Strut - Upper	1	1
8-7	0422264						Angle - Jury Strut Upper Attachment	2	2
8-8	0422266						Plate - Front Strut Upper Fitting	1	1
8-9	AN365-524						Nut - (Strut Fitting Attachment)	2	2
8-10	AN5-12A						Bolt - (Strut Fitting Attachment)	1	1
8-11	AN5-24A						Bolt - (Strut Fitting Attachment)	1	1
8-12	AN960-516						Washer - (Strut Fitting Attachment)	4	4
8-13	0422186-3						Skin Assembly - Wing Leading Edge - Right	1	1
8-14	0422138-3						Rib - Wing Nose - (Sta. 22.125)	1	1
8-15	0422337						Rib Assembly - Wing Nose	8	8
8-16	0422338						Rib Assembly - Wing Nose - (Sta. 116 & 101)	2	2
8-17	0422185-1						Skin - Wing Leading Edge - Right	1	1
8-18	A1787-8Z-3						Nut - Tinnerman - (Fairing Attachment)	1	1
8-19	A6195A-8Z-3						Nut - Tinnerman - (Fairing Attachment)	1	1
8-20	0413234-1						Scoop Assembly - Cabin Air Vent	1	1
8-21	0423400-1						Tip Assembly - Wing Leading Edge - Right	1	1
8-22	0423113-1						Spar Tip - Wing Leading Edge - Right	1	1
8-23	0423112-1						Skin - Wing Leading Edge Tip - Right	1	1
8-24	AN931-3-5						Grommet - (Navigation Light Wire Protection)	1	1
8-25	0422000-1						Trailing Edge Assembly - Wing - Right - Model 140		1
8-26	0422202-1						Trailing Edge Assembly - Wing - Right - Model 120	1	
8-27	0422112-1						Spar Assembly - Wing Rear - Right	1	1
8-28	0422229						Fitting - Wing Spar Reinforcement	2	2
8-29	0422271-1						Bracket Assembly - Aileron Bellcrank - Right	1	1
8-30	0422182						Spacer - Wing Rear Strut Attachment	1	1
8-31	0422183						Angle - Wing Rear Strut Rear Attachment	1	1
8-32	0422184						Angle - Wing Rear Strut Front Attachment	1	1
8-33	AN365-428						Nut	3	3
	AN960-416						Washer	3	3
8-34	AN4-11A						Bolt	3	3
8-35	0423300-1						Tip Assembly - Wing Trailing Edge - Right	1	1
8-36	0423300-5						Spar Tip Assembly - Wing Trailing Edge - Right	1	1
8-37	0423300-3						Rib & Skin Assembly - Wing Trailing Edge Tip - Right	1	1
8-38	0422153-1						Auxiliary Spar Assembly - Wing - Right	1	1
8-39	0422153-3						Auxiliary Spar - Outboard Section Wing - Right	1	1
8-40	0422153-5						Auxiliary Spar - Inboard Section Wing - Right	1	1
8-41	0422153-10						Reinforcement - Wing Auxiliary Spar	2	2
8-42	0422151						Brace - Inboard Flap Stub Rib	2	2
8-43	0422152						Brace - Outboard Flap Stub Rib	2	2
8-44	0422142						Rib - Aileron Stub - (Sta 131 & 146)	2	2
8-45	0422200-3						Rib Assembly - Aileron Hinge Stub - Right	2	2
	0422215						Bushing - Aileron Hinge Inner Race	1	1
	B78X						Bearing - Torrington	1	1
8-46	22LA1-02						Nut - Elastic Stop		2
8-47	0422221-1						Spar Assembly - Flap Auxiliary - Right		1

ORDER BY PART NUMBER AND NAME

SERIAL NUMBER AND COLOR IF APPLICABLE

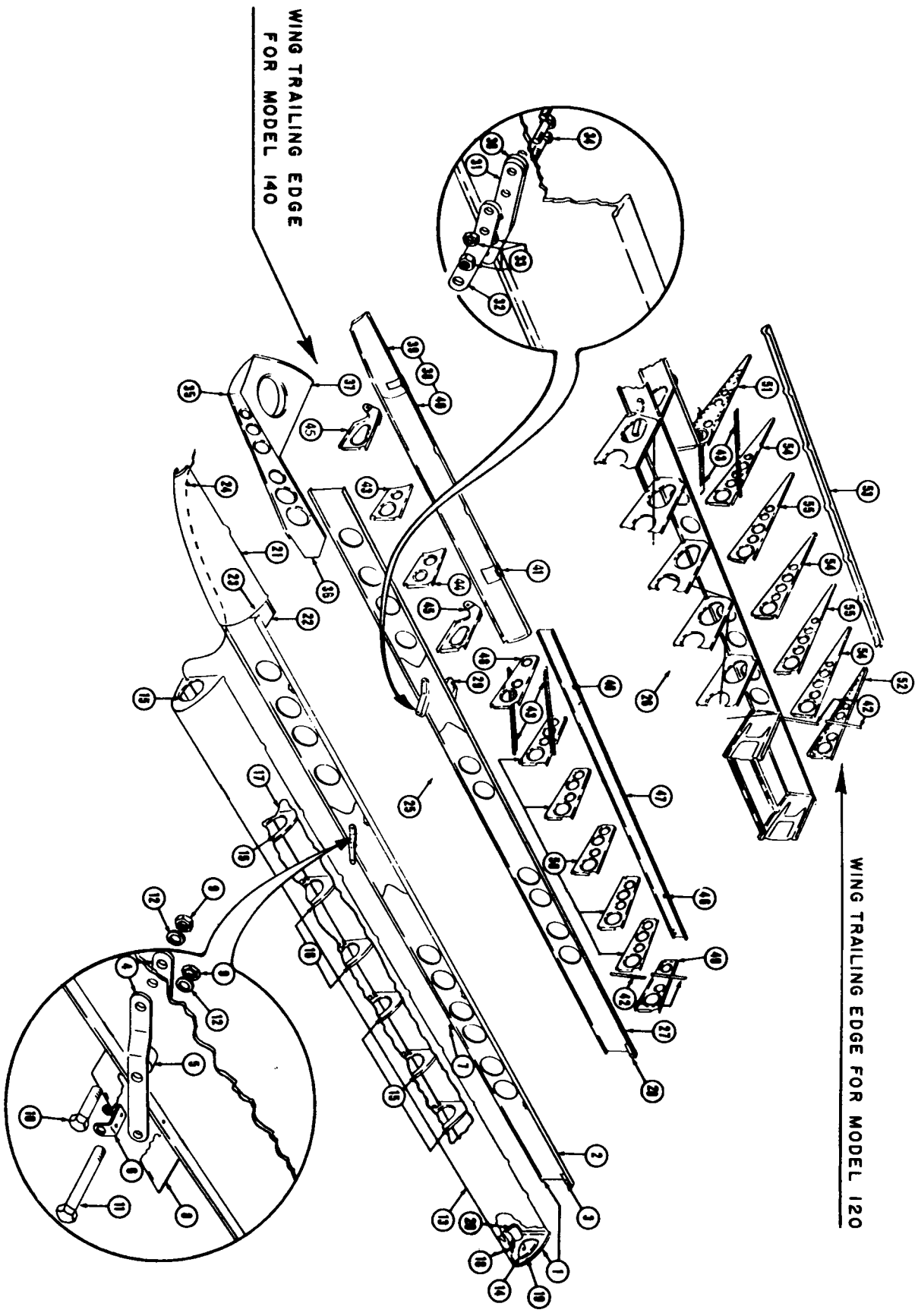


FIGURE 8-RIGHT WING LEADING & TRAILING EDGE ASSEMBLIES

FIGURE 8

WING - LEADING AND TRAILING EDGE ASSEMBLIES - RIGHT

FIGURE AND REF. NO.	PART NUMBER	PART NAME						UNITS REQUIRED ON MODELS	
		1	2	3	4	5	6	120	140
			AN366F-1032						
8-48	0422140								
8-49	0422140-1								
8-50	0422193								
8-51	0422275								
8-52	0422275-1								
8-53	0422278								
8-54	0422281								
8-55	0422282								

FIGURE 9

AILERON AND FLAP - RIGHT

9-1	0424000-1								
9-1	0424000-3								
9-2	0422168								
9-3	0424227								
9-4	AN316-4R								
9-5	HEIM F34-14								
9-6	AN365-1032								
9-7	AN960-10								
9-8	NAS205-19								
9-9	0422232								
9-10	AN4-16A								
9-11	AN365-428								
9-12	AN4-10A								
9-13	AN3-7A								
9-14	AN365-1032								
9-15	0425000-1								
9-16	0425113								
	AN251-1								
9-17	0425118-1								
9-18	AN520-10-8								
9-19	AN4-11A								
9-20	AN365-428								

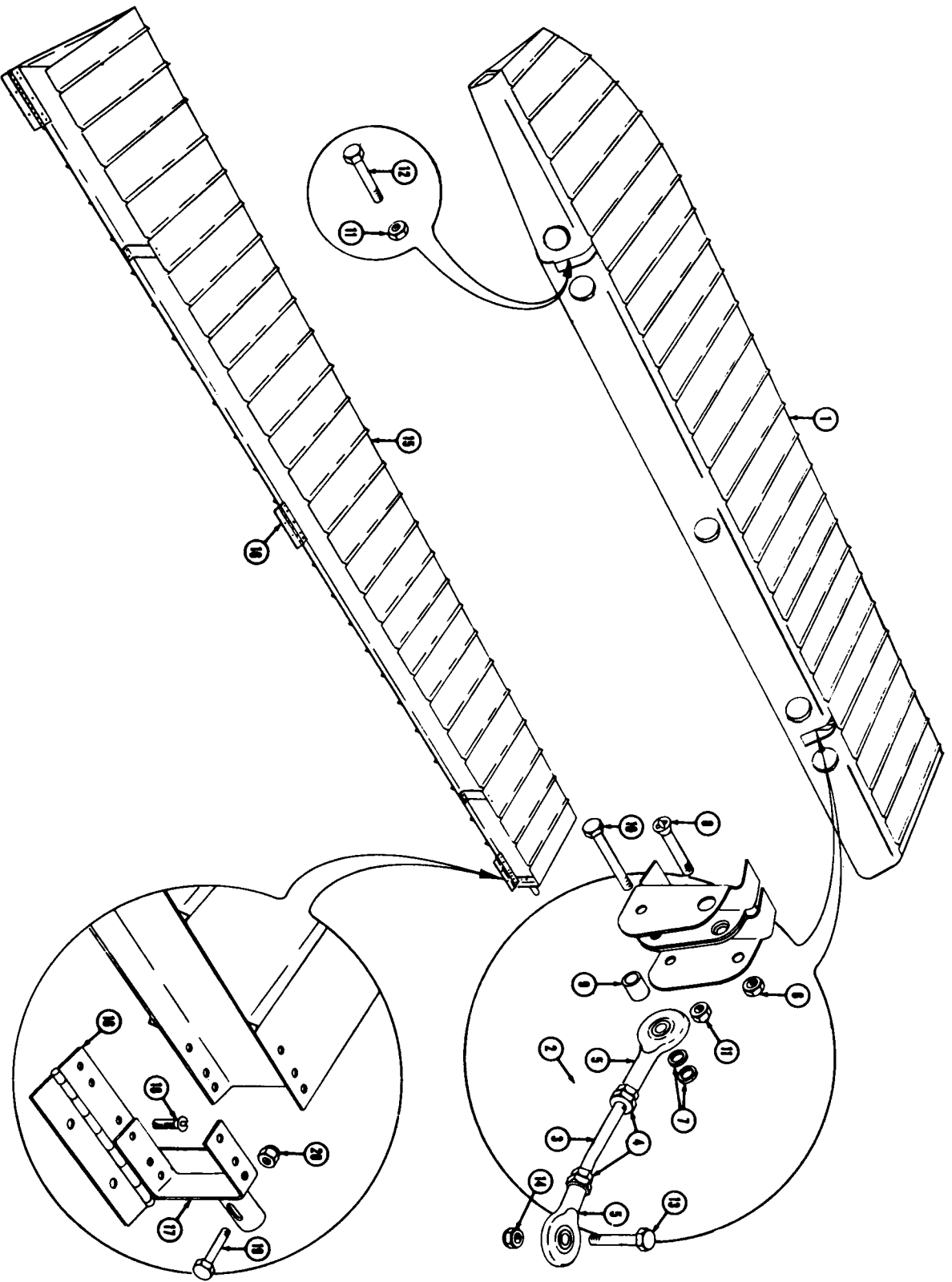


FIGURE 9 -AILERON AND FLAP ASSEMBLIES · RIGHT

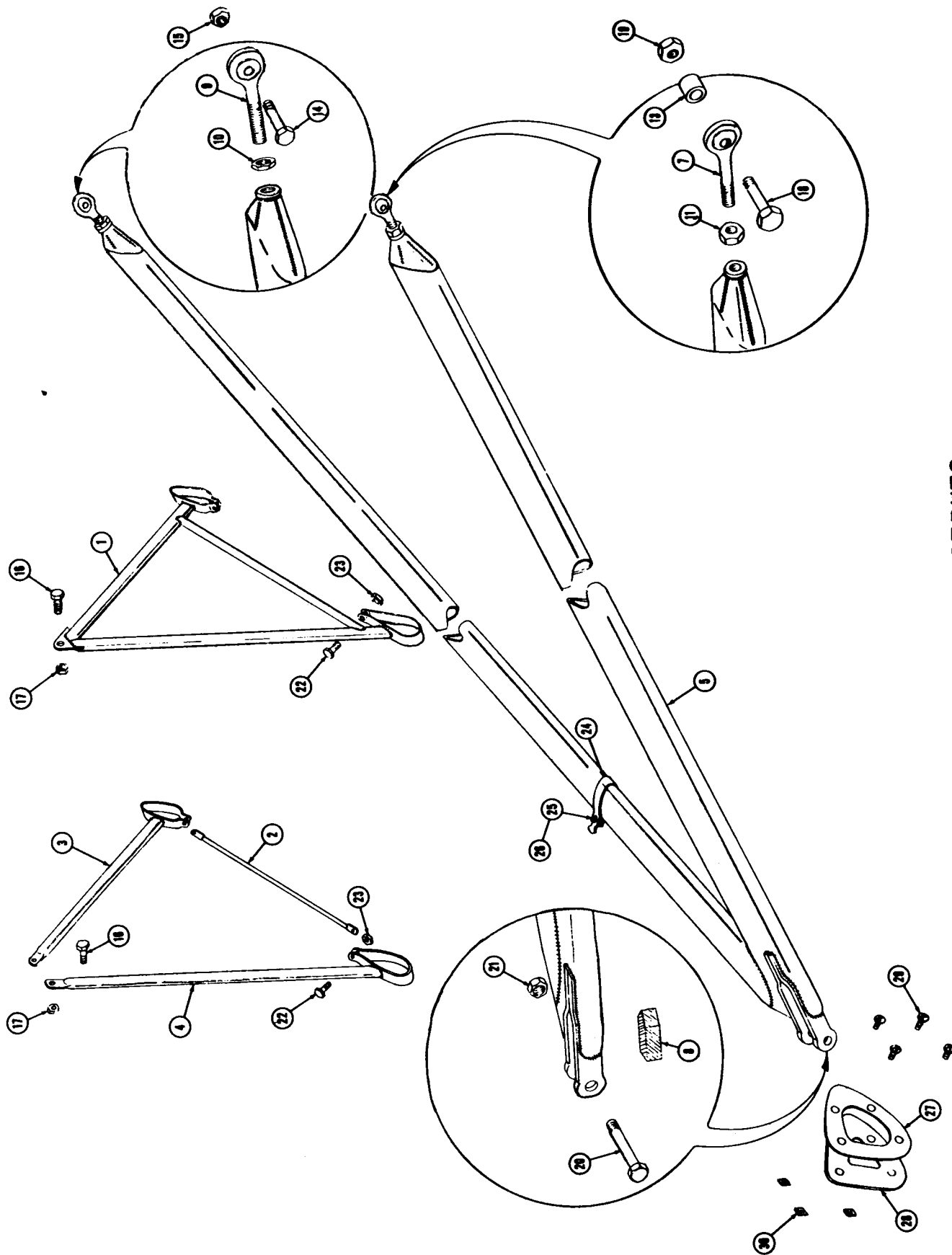
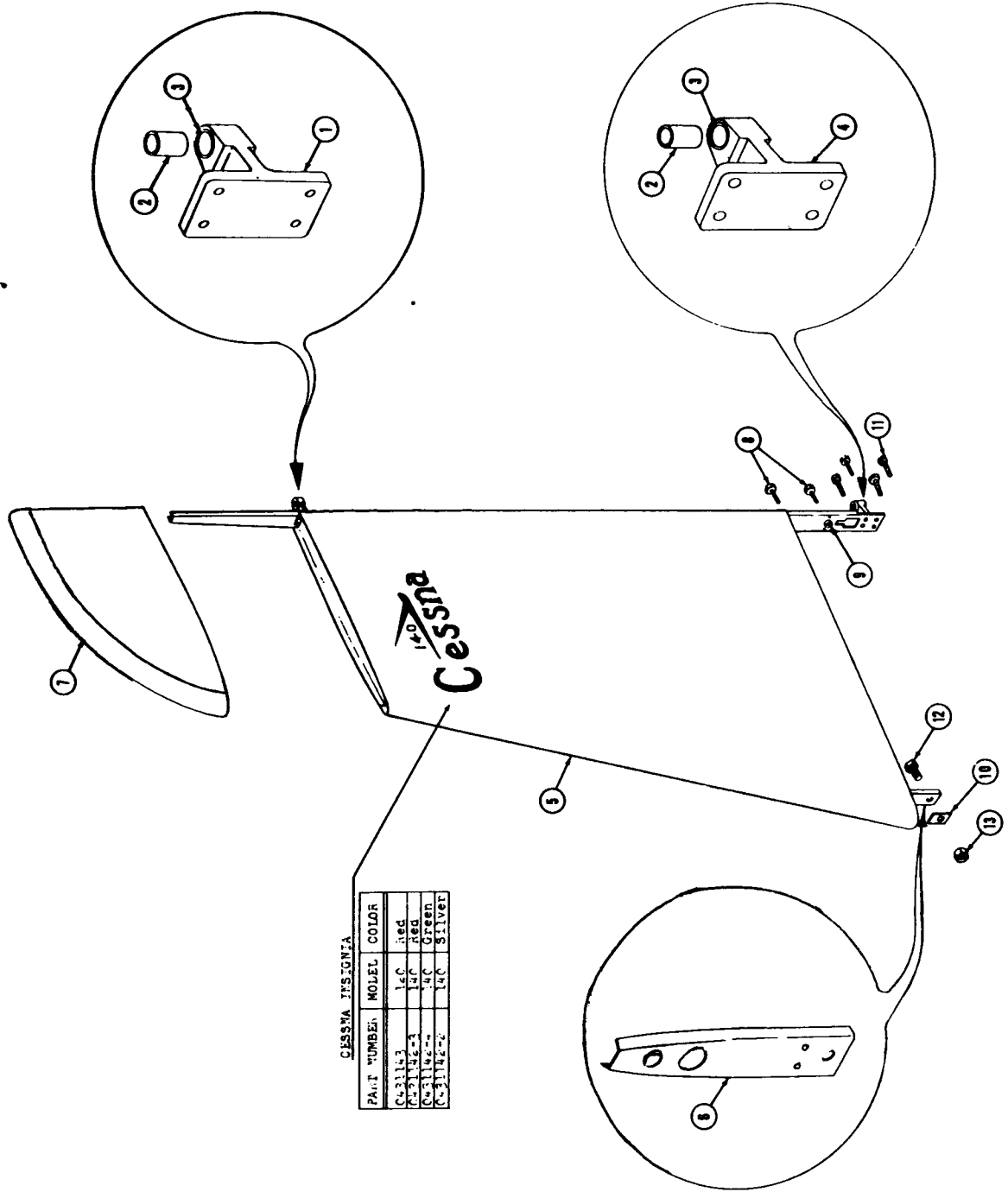


FIGURE 10 - WING STRUTS

FIGURE 10

STRUT - WING

FIGURE AND REF. NO.	PART NUMBER	PART NAME						UNITS REQUIRED ON MODELS	
		1	2	3	4	5	6	120	140
10-1	0422174	Strut Assembly - Jury - Left - (Serial 8001-12820)						1	1
10-1	0422174-1	Strut Assembly - Jury - Right - (Serial 8001-12820)						1	1
10-2	0422334	Spacer - Jury Strut - (Serial 12821 & Up)						2	2
10-3	0422335	Brace - Jury Strut - Rear - Left - (Serial 12821 & Up)						1	1
10-3	0422335-1	Brace - Jury Strut - Rear - Right - (Serial 12821 & Up)						1	1
10-4	0422336	Brace - Jury Strut - Front - Left - (Serial 12821 & Up)						1	1
10-4	0422336-1	Brace - Jury Strut - Front - Right - (Serial 12821 & Up)						1	1
10-5	0422340	Strut Assembly - Wing - Left - (Serial 12821 & Up and All Spares)						1	1
10-5	0422340-4	Strut - Wing - Left - (Less Rod Ends)						1	1
10-7	0422012	Rod End - Spherical - (Solid Shank)						1	1
10-8	0422296	Rubber Air Seal - Wing Strut						1	1
10-9	0422316	Rod End - Spherical - (Solid Shank)						1	1
10-10	AN316-8R	Nut - Check						1	1
10-11	AN316-10R	Nut - Check						1	1
10-5	0422340-1	Strut Assembly - Wing - Right - (Serial 12821 & Up and All Spares)						1	1
10-5	0422340-5	Strut - Wing - Right - (Less Rod Ends)						1	1
10-7	0422012	Rod End - Spherical - (Solid Shank)						1	1
10-8	0422296	Rubber Air Seal - Wing Strut						1	1
10-9	0422316	Rod End - Spherical - (Solid Shank)						1	1
10-10	AN316-8R	Nut - Check						1	1
10-11	AN316-10R	Nut - Check						1	1
10-13	0422261	Bushing - Front Strut - Upper						2	2
10-14	0422297	Bolt - (Rear Strut Attachment)						2	2
10-15	AN364-820	Nut - (Rear Strut Attachment)						2	2
10-16	AN3-4A	Bolt - (Jury Strut Upper Attachment)						2	2
10-17	AN365-1032	Nut - (Jury Strut Upper Attachment)						2	2
10-18	AN8-25A	Bolt - (Front Wing Strut Attachment)						2	2
10-19	AN365-820	Nut - (Front Wing Strut Attachment)						2	2
10-20	AN8-15A	Bolt - (Lower Wing Strut Attachment)						2	2
10-21	AN365-820	Nut - (Lower Wing Strut Attachment)						2	2
10-22	AN3-3A	Bolt - (Jury Strut Lower Attachment)						4	4
10-23	AN365-1032	Nut - (Jury Strut Lower Attachment)						4	4
10-24	0413408-3	Stud - Cabin Door Catch						2	2
10-25	AN520-10R-5	Screw - (Attach Door Catch Stud)						2	2
10-26	AN364-1032	Nut - (Attach Door Catch Stud)						2	2
10-27	0411760	Plate - Lower Strut Fillet						2	2
10-28	0411761	Seal - Lower Strut Fillet						2	2
10-29	PK76XZ-8-6	Screw - (Attach Lower Strut Fillet)						8	8
10-30	A1786-8Z-3	Nut - Tinnerman						8	8



CESNA INSIGNIA

PART NUMBER	MODEL	COLOR
C-31143	140	Red
C-31144	140	Red
C-31145	140	Green
C-31146	140	SILVER

FIGURE 11-FIN ASSEMBLY

FIGURE 11

EMPENNAGE - FIN

FIGURE AND REF. NO.	PART NUMBER	PART NAME	UNITS REQUIRED ON MODELS	
			120	140
11-	0431000	Fin Assembly	1	1
11-	0431129-10	Spar Assembly - Fin Rear	1	1
11-1	0431120	Hinge Assembly - Fin Top	1	1
11-2	0431119	Bushing - Fin Hinge	1	1
11-3	A325-1	Oilite Bearing	1	1
11-4	0431120-1	Hinge Assembly - Fin Bottom	1	1
11-2	0431119	Bushing - Fin Hinge	1	1
11-3	A325-1	Oilite Bearing	1	1
11-5	0431132	Fin Assembly - Lower	1	1
	0431128	Skin - Fin - Lower	1	1
11-6	0431115	Spar Assembly - Fin Front	1	1
11-7	0431139	Fin Assembly - Upper	1	1
11-8	0431141	Bolt - Elevator Bell Crank Stop	2	2
11-9	AN366F-1032	Nut	2	2
11-10	0430010-1	Shim - Empennage Installation - (.020)	AR	AR
11-10	0430010-2	Shim - Empennage Installation - (.032)	AR	AR
11-11	AN3-5A	Bolt	4	4
11-12	AN4-5A	Bolt	1	1
11-13	AN365-428	Nut	1	1

FIGURE 12

EMPENNAGE - STABILIZER

12-	0432000	Stabilizer Assembly	1	1
12-	0432000-3	Stabilizer Assembly - (Less 0310293 Actuator Assembly)	1	1
12-	0432106	Spar Assembly - Stabilizer	1	1
12-1	0432107	Spar - Stabilizer - Left	1	1
12-2	0432107-1	Spar - Stabilizer - Right	1	1
12-3	0432108	Stiffener - Stabilizer Spar	1	1
12-4	0432109	Bracket Assembly - Fin Attachment	1	1
	AN366F-1032	Nut - Fin Attachment - (Serial 8001-10090)	2	2
	AN366F-428	Nut - Fin Attachment - (Serial 10091 & Up)	2	2
12-5	0432110	Bracket - Stabilizer Hinge - Inner	4	4
12-6	0432111	Bracket - Stabilizer Hinge - Outer	4	4
12-7	0432147	Bracket Assembly - Tab Actuator Attachment	1	1
12-8	22A3-02	Nut	4	4
12-9	0432123	Plate - Tab Actuator Cover	1	1
12-10	A1274-8Z-3	Clip - Firmerman	4	4
12-11	PK76XZ-8-8	Screw	4	4
12-12	0432126	Clamp - Tab Actuator Attachment	2	2
12-13	AN520-10R8	Screw	4	4
12-14	0432131	Center Section Assembly - Stabilizer	1	1
12-15	0432137	Actuator Assembly - Elevator Tab - (Serial 8001-12319) (Use 0310293 for All Replacements)	1	1
12-15	0310293	Actuator Assembly - Elevator Tab	1	1
12-16	0432134-2	Sprocket - Elevator Tab Actuator	1	1
12-17	0310331	Guard - Elevator Tab Control Chain	1	1
12-18	3/32 x 1/2	Pin - Groov - Type 3	1	1
12-19	AN526-832R8	Screw	2	2
12-20	AN365-832	Nut	2	2
12-21	0310293-10	Actuator	1	1
12-22	NA851-81	Retainer Ring	2	2
12-23	0432153	Skin Assembly - Stabilizer - Right	1	1
	0432151-1	Skin - Stabilizer - Upper - Right	1	1
	0432156	Skin Assembly - Stabilizer - Lower - Right	1	1
	0432155	Retainer - Stabilizer Actuator Cover	1	1
12-24	0432160	Channel - Stabilizer Reinforcement	1	1
12-25	0432116-1	Leading Edge Assembly - Stabilizer - Right	1	1
12-26	0432158-1	Leading Edge - Stabilizer - Inboard - Right	1	1
12-27	0432159	Leading Edge - Stabilizer - Outboard	1	1
12-28	0432154	Skin Assembly - Stabilizer - Left	1	1
	0432151	Skin - Stabilizer - Upper - Left	1	1
	0432151-1	Skin - Stabilizer - Lower - Left	1	1
12-24	0432160	Channel - Stabilizer Reinforcement	1	1
12-29	0432116	Leading Edge Assembly - Stabilizer - Left	1	1
12-30	0432158	Leading Edge - Stabilizer - Inboard - Left	1	1
12-27	0432159	Leading Edge - Stabilizer - Outboard	1	1
12-31	0430010-1	Shim - Empennage Installation - (.020)	AR	AR
12-31	0430010-2	Shim - Empennage Installation - (.032)	AR	AR
12-32	AN4-4A	Bolt	2	2
12-33	AN3-4A	Bolt - (Serial 8001-10090)	2	2
12-33	AN4-5A	Bolt - (Serial 10091 & Up)	2	2

ORDER BY PART NUMBER AND NAME

SERIAL NUMBER AND COLOR IF APPLICABLE

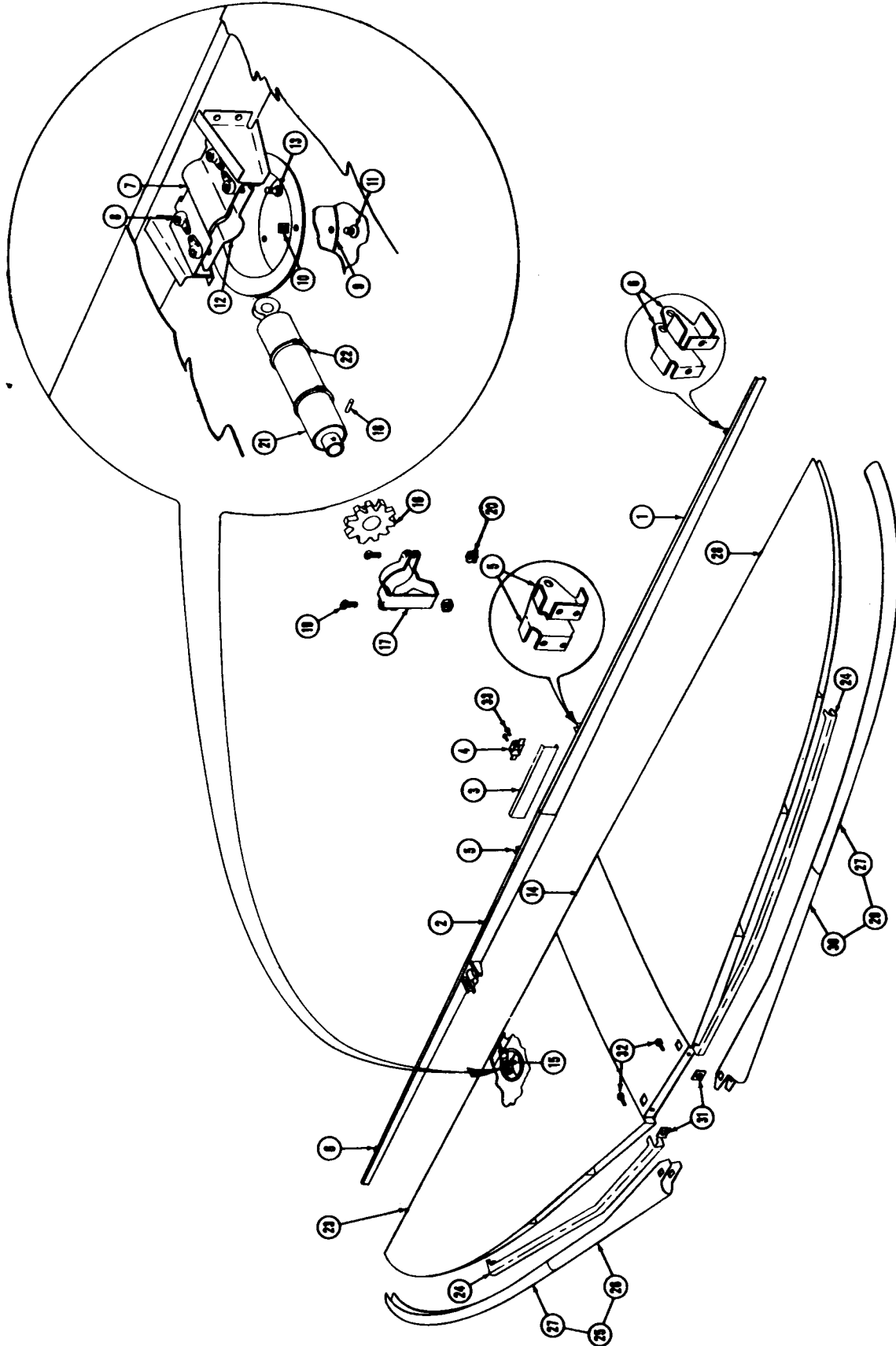


FIGURE 12 - STABILIZER ASSEMBLY

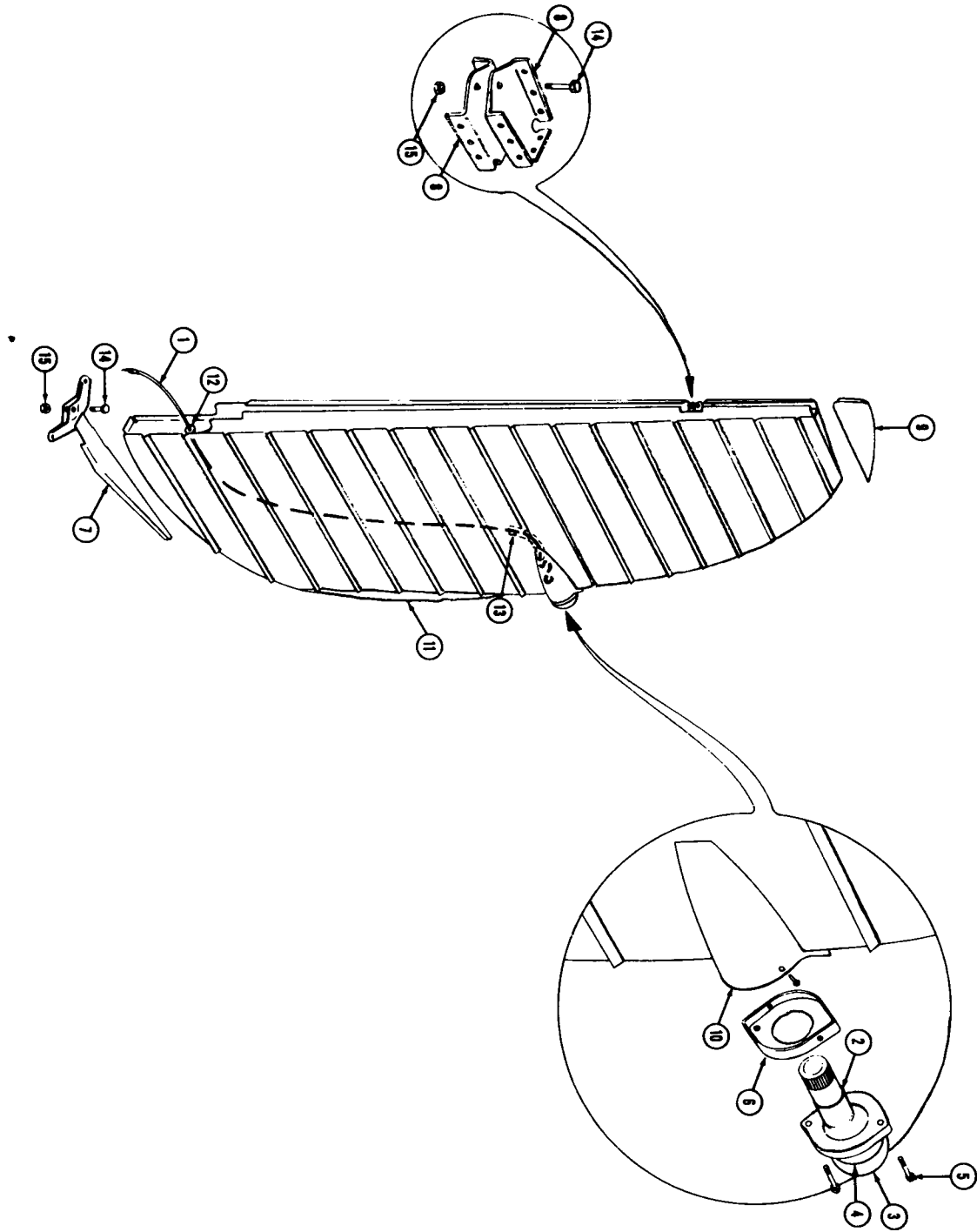


FIGURE 13 - RUDDER ASSEMBLY



FIGURE 13

EMPENNAGE - RUDDER

FIGURE AND REF. NO.	PART NUMBER	PART NAME						UNITS REQUIRED ON MODELS	
		1	2	3	4	5	6	120	140
13-	0433000-12	Rudder Assembly - Model 120							
13-	0433000-14	Rudder Assembly - Model 140						1	
13-1	0400005-41	Wire - Tail Light							1
13-2	A-2064	Light Assembly - Tail							1
13-3	A-2103-1	Lens - Tail Light - Clear							1
13-4	S-8-15CP	Bulb - Single Contact Base							1
13-5	AN515-4R8	Screw							2
13-6	A-3457	Mount - Tail Light							1
	0433126	Spar Assembly - Rudder						1	1
	0433125	Spar - Rudder						1	1
13-7	0433106	Rib Assembly #1 - Rudder						1	1
13-8	0433114	Hinge - Rudder						2	2
13-9	0433111	Tip - Rudder						1	1
13-10	0433121	Support - Tail Light Mount							2
13-11	0433127	Tab - Rudder						1	1
13-12	AN931-3-5	Grommet							1
13-13	#8	Transflex Tube - (5" Length)							1
13-14	AN3-7A	Bolt						2	2
13-15	AN365-1032	Nut						2	2

FIGURE 14

EMPENNAGE - ELEVATOR

14-	0434000	Elevator Assembly						1	1
14-1	0434120	Bell Crank - Elevator						1	1
14-2	AN3-4A	Bolt						3	3
14-3	AN365-1032	Nut						3	3
14-4	AN960-D10	Washer						3	3
14-5	0434138	Elevator Assembly - Right						1	1
14-6	0434127	Rod Assembly - Tab Push-pull						1	1
14-7	AN3-7A	Bolt						1	1
14-8	AN365-1032	Nut						1	1
14-9	S-15-50	Bushing						1	1
14-10	0434135	Tab Assembly - Elevator						1	1
14-11	0434137	Primary Assembly - Right Elevator - (Parts of This Assembly Not Listed Below Are Not Available as Spares)						1	1
	0434136	Spar Assembly - Elevator - (Includes Torque Tube)						1	1
14-12	0434136-2	Spar Assembly - Elevator - (Special Spare Consisting of Spar Channel, Hinge Brackets and Hinge Bracket Reinforcement Channels)						1	1
14-13	0422215	Inner Race - Aileron Hinge Bearing						2	2
14-14	B-78X	Bearing - Torrington						2	2
14-15	0434151	Reinforcement - Spar - Outboard						1	1
14-16	0434152	Reinforcement - Spar - Inboard						1	1
14-17	0434116	Tube Assembly - Elevator Torque						1	1
14-18	0434107	Rib #1 - Elevator						1	1
14-19	0434115	Skin - Elevator Tip						1	1
14-20	0434139	Elevator Assembly - Left - (Parts of This Assembly Not Listed Below Are Not Available as Spares)						1	1
	0434136	Spar Assembly - Elevator						1	1
14-12	0434136-2	Spar Assembly - Elevator - (Special Spare Consisting of Spar Channel, Hinge Brackets and Hinge Bracket Reinforcement Channels)						1	1
14-13	0422215	Inner Race - Aileron Hinge Bearing						2	2
14-14	B-78X	Bearing - Torrington						2	2
14-15	0434151	Reinforcement - Spar - Outboard						1	1
14-16	0434152	Reinforcement - Spar - Inboard						1	1
14-17	0434116	Tube Assembly - Elevator Torque						1	1
14-19	0434115	Skin - Elevator Tip						1	1
14-21	0434146	Rib #3 - Elevator						1	1
14-22	0434149	Bushing - Elevator Bell Crank						2	2
14-23	AN3-7A	Bolt						1	1
14-24	AN365-1032	Nut						1	1
14-25	S-15-50	Bushing						1	1
14-26	AN4-11A	Bolt						4	4
14-27	AN365-428	Nut						4	4

ORDER BY PART NUMBER AND NAME

SERIAL NUMBER AND COLOR IF APPLICABLE

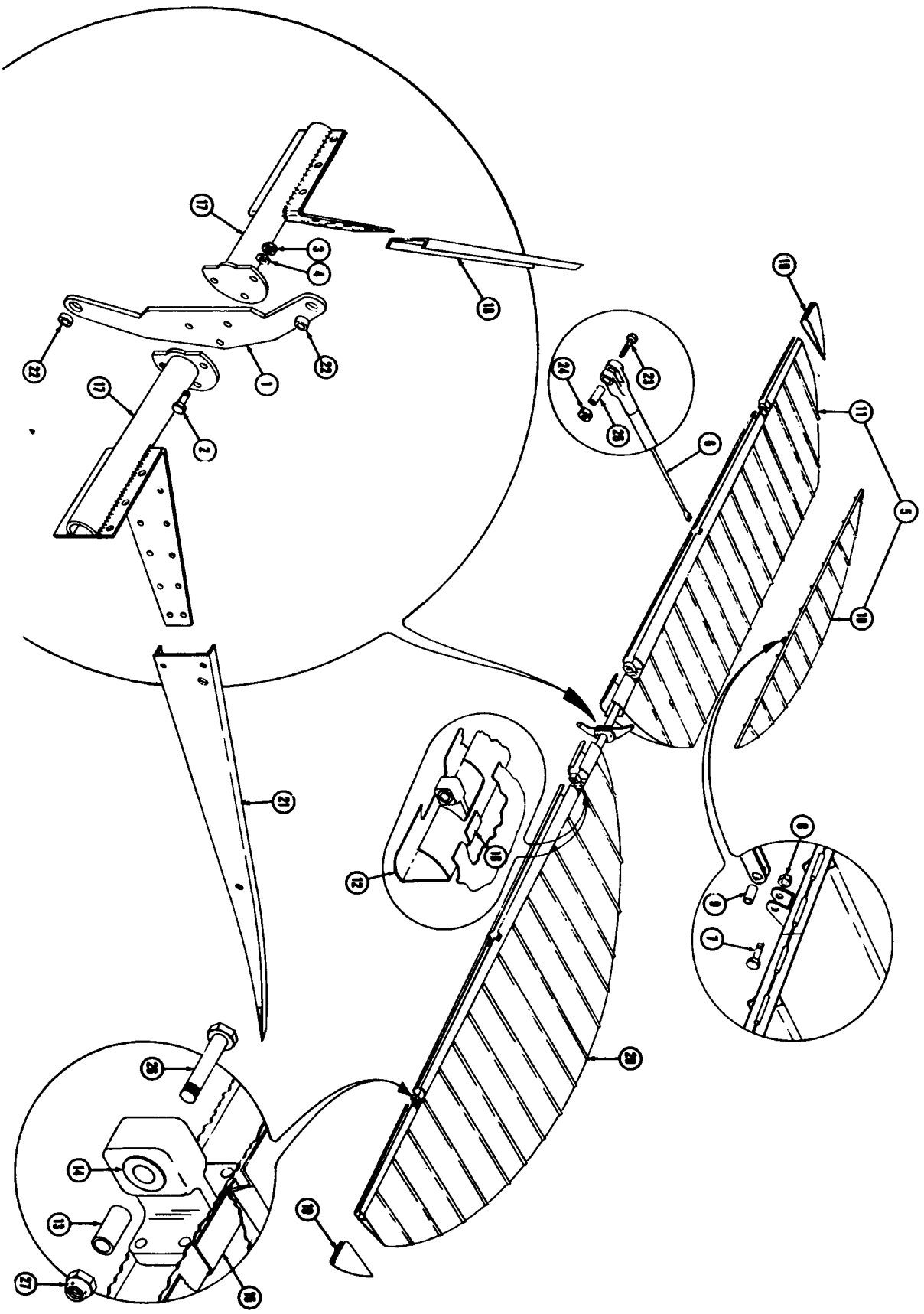


FIGURE 14--ELEVATOR ASSEMBLY

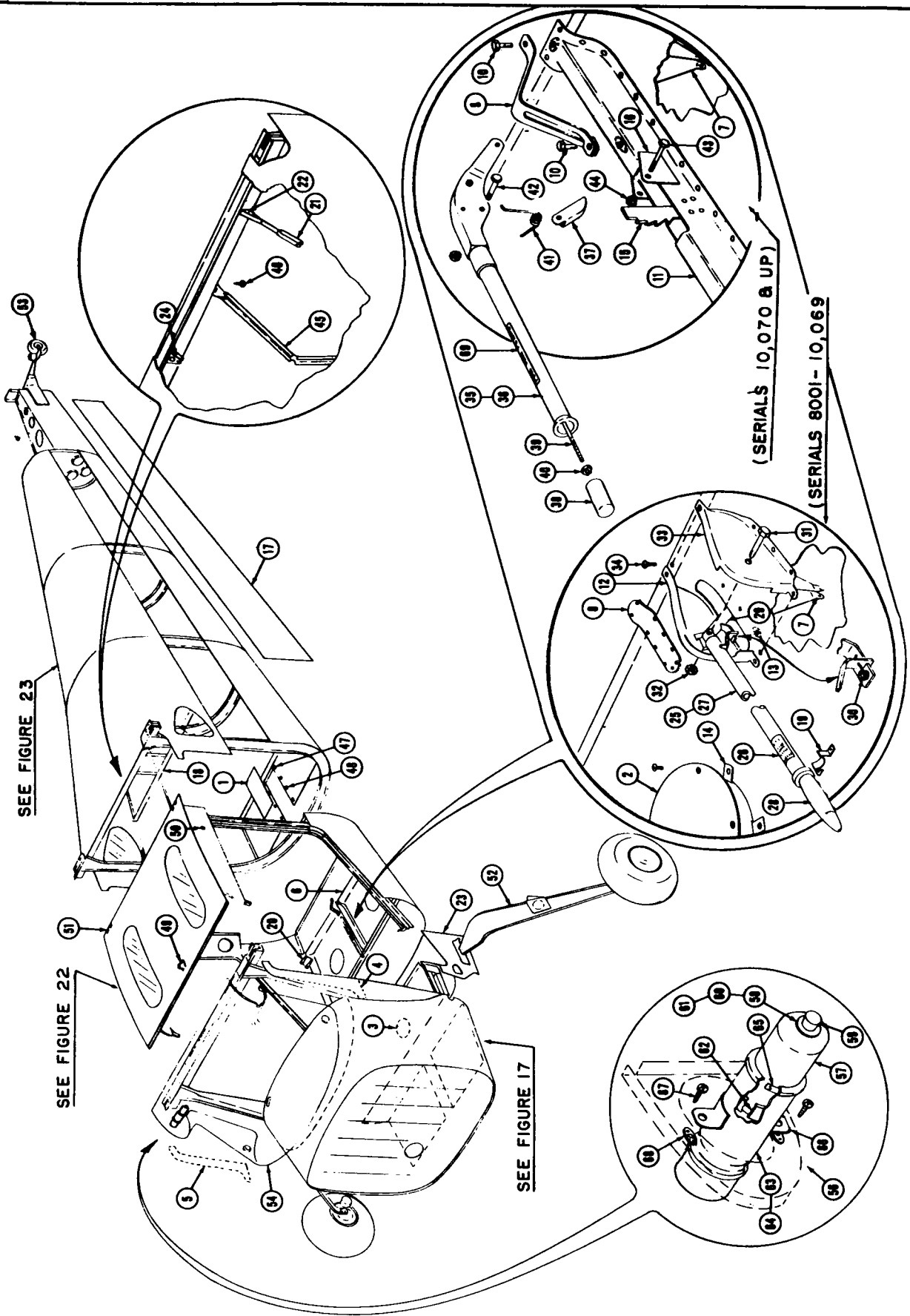


FIGURE 15-FUSELAGE ASSEMBLY COMPLETE

ILLUSTRATED PARTS CATALOG

FIGURE 15

FUSELAGE ASSEMBLY - COMPLETE

FIGURE AND REF. NO.	PART NUMBER	PART NAME	UNITS REQUIRED ON MODELS	
			120	140
15-1	0411314	Door - Baggage Compartment Floor Inspection	1	1
	PK76XZ-10-8	Screw	8	8
15-2	0411371	Cover - Seat Pan Inspection	2	2
	PK76XZ-8-8	Screw	12	12
15-3	0411530	Plate - Floorboard Inspection	2	2
	PK76XZ-10-8	Screw	12	12
	0410000-12	Fuselage Assembly - Model 120	1	
	0410000-5	Fuselage Assembly - Model 120 - (Unpainted - Minus Controls, Gears, Electrical Wiring, Upholstery, Doors and Instruments)	1	
15-	0410000-14	Fuselage Assembly - Model 140		1
15-	0410000-4	Fuselage Assembly - Model 140 - (Unpainted - Minus Controls, Gears, Electrical Wiring, Upholstery, Doors and Instruments)		1
15-4	0411125	Skin - Cabin - Left - (Serial 8001-8799)	1	1
15-5	0411125-1	Skin - Cabin - Right - (Serial 8001-8799)	1	1
15-6	0411164-12	Seat Pan Assembly - (Serial 8001-10069)	1	
15-7	0411473	Bracket - Tab Control Pulley	1	1
15-8	0411858	Cover Plate - Flap Control Slot	1	
15-6	0411885-12	Seat Pan Assembly - (Serial 10070 & Up)	1	
15-7	0411473	Bracket - Tab Control Pulley	1	1
15-9	0425132	Bracket - Safety Belt - Center	1	1
15-10	AN3-5A	Bolt	2	2
15-11	0425137	Channel Assembly - Seat Pan	1	
15-6	0411164-14	Seat Pan Assembly - (Serial 8001-10069)		1
15-7	0411473	Bracket - Tab Control Pulley	1	1
15-12	0411323	Cover Assembly - Flap Control - Right		1
15-13	AN366F-832	Nut		5
15-14	A1348-8Z-3	Nut		12
15-6	0411885-14	Seat Pan Assembly - (Serial 10070 & Up)		1
15-7	0411473	Bracket - Tab Control Pulley	1	1
15-9	0425132	Bracket - Safety Belt - Center	1	1
15-10	AN3-5A	Bolt	2	2
15-11	0425136	Channel Assembly - Seat Pan		1
15-15	0425123	Ratchet - Flap Lever		1
15-16	0425131	Support - Flap Lever		2
15-17	0412119	Plate - Fuselage Splice - Left	1	1
	0412119-1	Plate - Fuselage Splice - Right	1	1
15-18	0411683	Support Assembly - Interior Trim	1	1
15-19	0411392	Rest - Flap Handle - (Serial 8001-10069)		1
	0411528	Bracket - Safety Belt - Left	1	1
15-20	0411528-1	Bracket - Safety Belt - Right	1	1
	0411588	Bracket Assembly - Aileron Pulley - Left	1	1
15-21	0411588-1	Bracket Assembly - Aileron Pulley - Right	1	1
15-22	NA8222-9	Screw	2	2
15-23	0411611	Skin - Fuselage - (Sta. 20.5 - 27.921) - Left	1	1
	0411611-1	Skin - Fuselage - (Sta. 20.5 - 27.921) - Right	1	1
15-24	0411635	Bracket - Aileron Pulley	1	1
15-25	0411678	Control Assembly - Flap - (Serial 8001-10069)		1
15-26	0411068	Decal - Flap Control		1
15-27	0411240	Handle Assembly - Flap Control		1
15-28	0411045	Grip - Flap Handle		1
	PK76XZ-4-5	Screw		1
	0411477	Lever Assembly - Flap Control		1
15-29	0411241	Lever Assembly - Flap - Lower		1
	0411488	Bushing		1
15-30	0411389	Spring		1
15-31	AN3-13A	Bolt		1
15-32	AN364-1032	Nut		1
15-33	0411322	Cover Assembly - Flap Control - Left - (Serial 8001-10069)		1
15-34	AN526-832R-8	Screw		5
15-35	0425135	Lever Assembly - Flap - (Serial 10070 & Up)		1
15-36	0425125	Lever - Flap		1
	0425122	Latch Assembly - Flap Lever		1
15-37	0425121	Latch - Flap Lever		1
15-38	0425124	Button - Flap Lever Release		1
15-39	0425120	Rod - Latch		1
15-40	AN340-5	Nut		1
15-41	0425130	Spring - Flap Lever		1
15-42	AN3-10A	Bolt		1
	AN365-1032	Nut		1
15-43	AN3-12A	Bolt		1
15-44	AN364-1032	Nut		1
15-45	0411695	Channel Assembly - Interior Trim		2
15-46	PK76XZ-8-6	Screw		2

ORDER BY PART NUMBER AND NAME

SERIAL NUMBER AND COLOR IF APPLICABLE

FIGURE 15

FUSELAGE ASSEMBLY - COMPLETE

FIGURE AND REF. NO.	PART NUMBER	PART NAME	UNITS REQUIRED ON MODELS	
			120	140
15-47	A1793-10Z-064-3	Nut - Tinnerman	4	4
15-48	A1794-10Z-3	Nut - Tinnerman	4	4
15-49	0411670	Bracket - Antenna Mast		1
15-50	A1	Phone Jack		1
15-51	A6452-8Z-.072-3	Clip - Tinnerman	4	4
15-52	See Figure 26	Main Landing Gear Assembly		
15-53	See Figure 29	Tail Wheel		
15-54	See Figure 16	Windshield		
15-56	0413163	Outlet Assembly - Cabin Air Vent - Left	1	1
15-57	0413155-3	Air Outlet - Cabin Vent	1	1
15-58	0413228	Washer	2	2
15-59	0411092	Knob	1	1
15-60	AN526-832R-5	Screw - (Knob Attachment)	1	1
15-61	AN936-A8	Lock Washer - (Knob Attachment)	1	1
15-62	0413163-5	Seal - Felt	1	1
15-63	0413163-8	Tube Assembly - Cabin Vent - Left	1	1
15-64	0413156	Tube - Cabin Vent	1	1
15-65	0413163-7	Washer - Felt Seal	1	1
15-66	0413159	Clip	2	2
15-56	0413163-1	Outlet Assembly - Cabin Air Vent - Right	1	1
15-57	0413155-3	Outlet - Cabin Vent	1	1
15-58	0413228	Washer	2	2
15-59	0411092	Knob	1	1
15-60	AN526-832R-5	Screw - (Knob Attachment)	1	1
15-61	AN936-A8	Lock Washer - (Knob Attachment)	1	1
15-62	0413163-5	Seal - Felt	1	1
15-63	0413163-9	Tube Assembly - Cabin Vent - Right	1	1
15-64	0413156	Tube - Cabin Vent	1	1
15-65	0413163-7	Washer - Felt Seal	1	1
15-66	0413159	Clip	2	2
15-67	PK76X2-8-6	Screw - (Cabin Vent Attachment)	2	2
15-68	A6195-8Z-3	Nut Plate - Tinnerman - (Cabin Vent Attachment)	2	2
15-69	0425141	Decal		1

FIGURE 16

WINDSHIELD INSTALLATION

	0411801	Windshield Installation - (Reference Only)	1	1
16-1	0411172-3	Windshield - (Serial 8001-8799)	1	1
16-1	0411172-4	Windshield - (Serial 8800 & Up) (Replacements for All Modified Airplanes Below Serial 8800)	1	1
16-2	0411479-4	Strip - Windshield Attachment - (Serial 8001-8799)	1	1
	0411479-3	Strip - Windshield Attachment - (Serial 8800 & Up)	1	1
16-3	0411480	Strip - Windshield Attachment	1	1
16-4	0411481	Strip - Windshield Attachment	1	1
16-5	0411482	Strip - Windshield Attachment - Left - (Serial 8001-8799)	1	1
	0411482-1	Strip - Windshield Attachment - Right - (Serial 8001-8799)	1	1
	0411870	Strip - Windshield Attachment - (Serial 8800 & Up)	2	2
16-6	0411801-9	Pad - Upper Windshield - Felt	1	1
16-7	0413146	Plate - Windshield Top Attachment	1	1
16-8	0411801-10	Pad - Windshield Side And Bottom	1	1
16-9	0411801-3	Electrical Tape - (3/4 x 60")	1	1
16-10	M714	Vent - Windshield Snap - (Serial 8001-11842)	2	2

NOTE: All Spare Windshields are Less Snap Vent Holes. All Items Listed For Serial 8800 & Up Are Used As Replacements For Airplanes Below Serial 8800 With Door Post Modification.

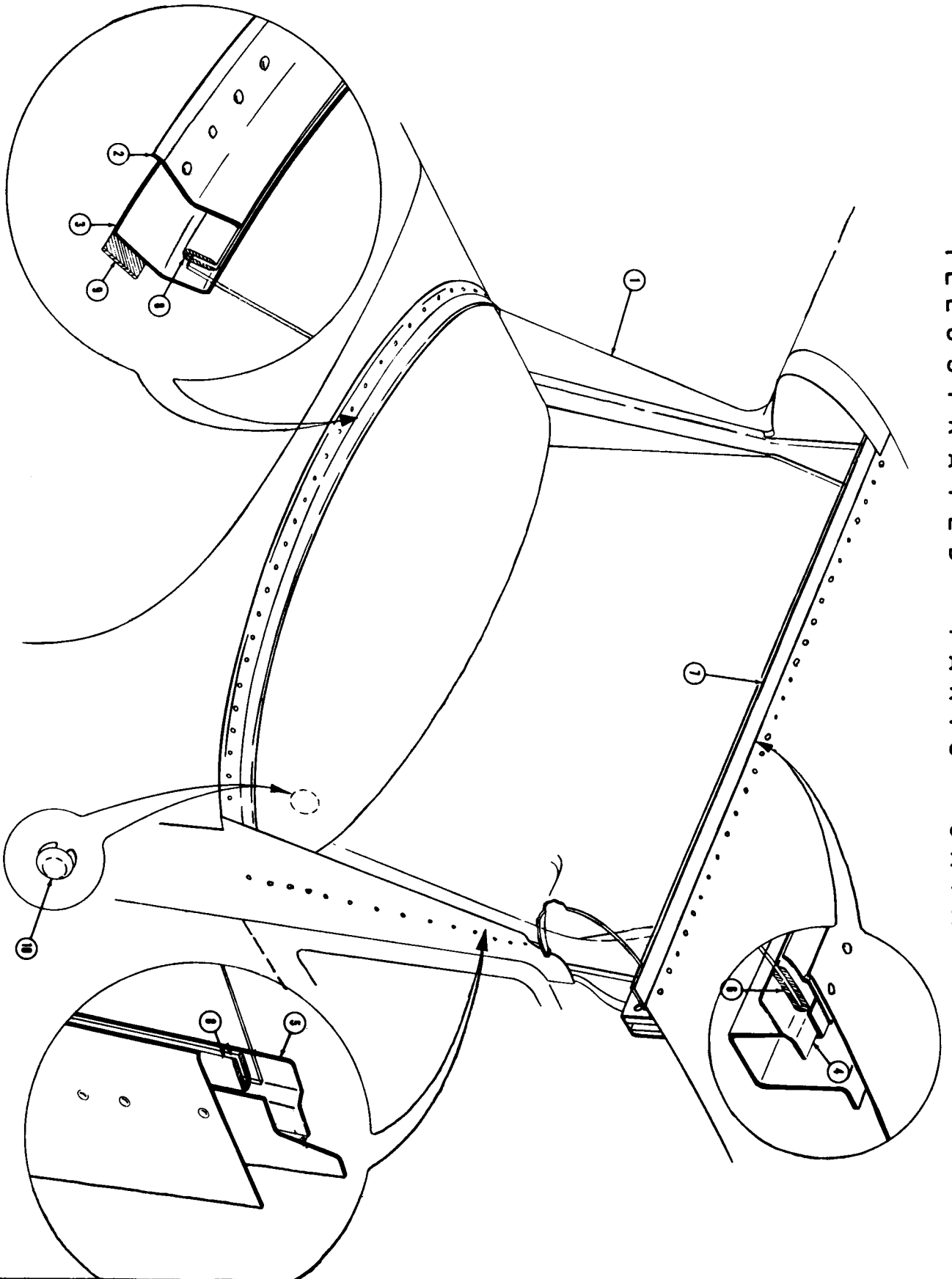


FIGURE 16 - WINDSHIELD INSTALLATION

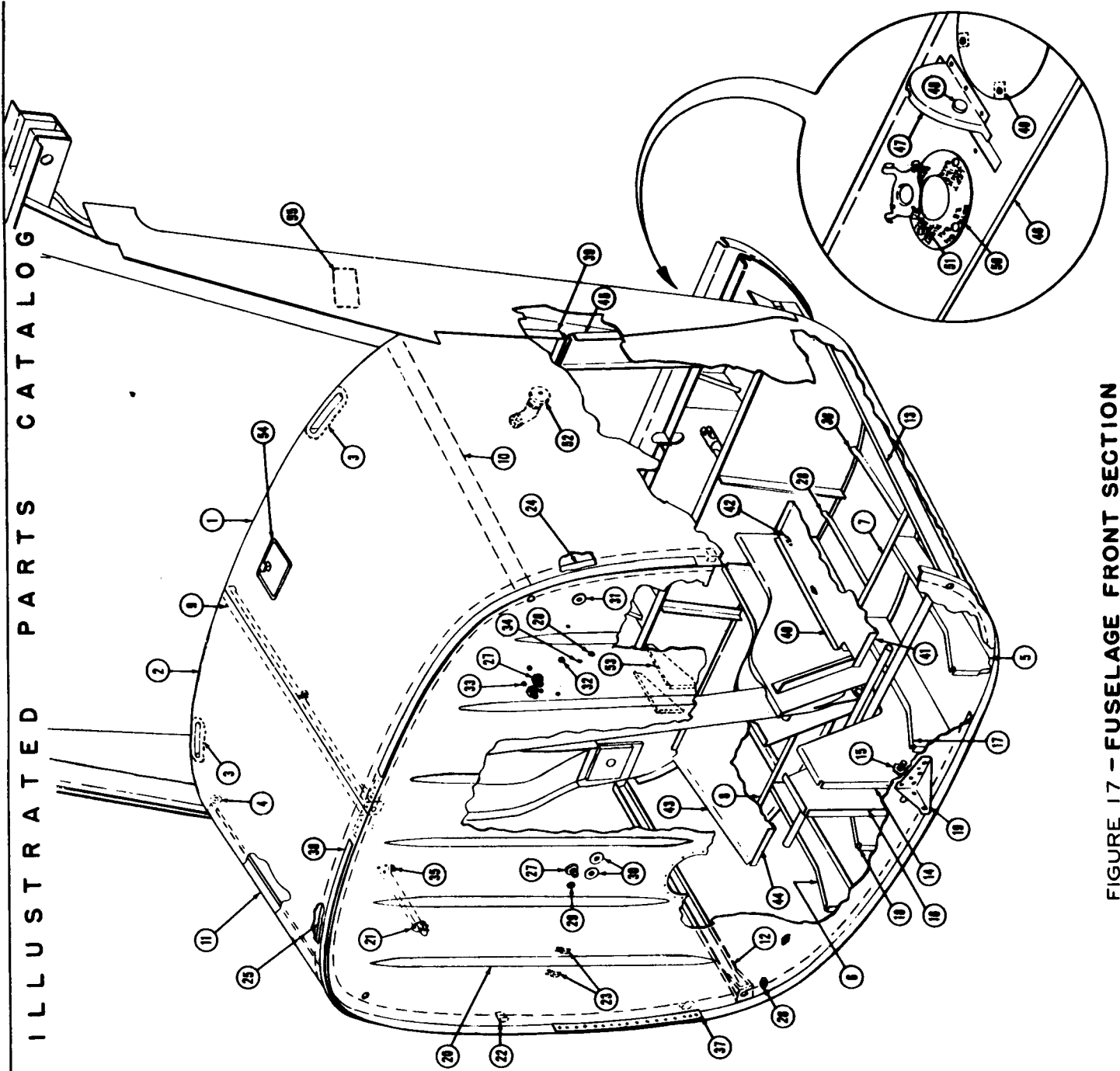


FIGURE 17 - FUSELAGE FRONT SECTION

FIGURE 17

FUSELAGE FRONT SECTION

FIGURE AND REF. NO.	PART NUMBER	PART NAME						UNITS REQUIRED ON MODELS	
		1	2	3	4	5	6	120	140
	0413000-12	Fuselage Front Section - Model 120						1	
	0413000-14	Fuselage Front Section - Model 140							1
	0413000-4	Fuselage Front Section - Model 140 - (Serial 8001-11842) (With Bare Instrument Panel, Less Paint, Control Tee, Rudder Pedal Assemblies, Controls, Wiring, Fuel Strainer Bracket, AN Fuel Line Fittings, and Fuel Selector Valve)							1
	0413000-7	Fuselage Front Section - (Same As 0413000-4 Except Applies to Serial 11843 & Up)							1
	0413000-5	Fuselage Front Section - (Same As 0413000-4 Except Applies to Model 120 All Serials)						1	
17-1	0411130-5	Skin - Fuselage Front Section - Left - (Serial 8001-8799)						1	1
	0411130-4	Skin - Fuselage Front Section - Left - (Serial 8800 & Up - Model 120) (Serial 8800 - 11842 - Model 140)						1	1
	0411130-8	Skin - Fuselage Front Section - (1947 & 1948 Model 140)							1
17-2	0411130-6	Skin - Fuselage Front Section - Right - (Serial 8001-8799)						1	1
	0411130-3	Skin - Fuselage Front Section - Right - (Serial 8800 & Up)						1	1
17-3	0413106	Handle - Assist						2	2
17-4	AN931-6-10	Grommet						1	1
17-5	0411138	Bulkhead - Front Floorboard - Outboard - Left						1	1
17-6	0411138-1	Bulkhead - Front Floorboard - Outboard - Right						1	1
17-7	0411139	Bulkhead - Floorboard - Left - (Sta. 11.00)						1	1
17-8	0411139-1	Bulkhead - Floorboard - Right - (Sta. 11.00)						1	1
17-9	0411173	Stringer Assembly - Engine Mount Attaching - Center						1	1
	0411154	Stringer - Engine Mount Attaching						1	1
	0411281-3	Bracket - Engine Mount Attaching						1	1
	A5980-8Z-90 ⁰ -3	Bracket - Tinnerman						1	1
	A2980A-3	Clamp - Tinnerman						1	1
	PK76XZ-8-6	Screw						1	1
17-10	0411282	Stringer Assembly - Engine Mount Attaching - Upper (1 Req'd Serial 14585 & Up)						2	2
	0411152	Stringer - Engine Mount Attaching - (Serial 8001-14584)						1	1
	0413286	Stringer - Engine Mount Attaching - (Serial 14585 & Up)						1	1
	0411281	Bracket - Engine Mount Attaching - (Serial 8001-14584)						1	1
	0411281-4	Bracket - Engine Mount Attaching - (Serial 14585 & Up)						1	1
17-11	0411282-1	Stringer Assembly - Engine Mount Attaching - Right - (Serial 14585 & Up)						1	1
	0413286	Stringer - Engine Mount Attaching - (Serial 14585 & Up)						1	1
	0411281-5	Bracket - Engine Mount Attaching - (Serial 14585 & Up)						1	1
17-12	0411283-1	Stringer Assembly - Engine Mount Attaching - Lower - Right						1	1
	0411153-1	Stringer - Engine Mount Attaching - Lower - Right - (Serial 8001 - 14584)						1	1
	0413285-1	Stringer - Engine Mount Attaching - Lower - Right - (Serial 14585 & Up)						1	1
	0411281	Bracket - Engine Mount Attaching - (Serial 8001-14584)						1	1
	0411281-4	Bracket - Engine Mount Attaching - (Serial 14585 & Up)						1	1
17-13	0411283	Stringer Assembly - Engine Mount Attaching - Lower - Left						1	1
	0411153	Stringer - Engine Mount Attaching - Lower - Left - (Serial 8001 - 14584)						1	1
	0413285	Stringer - Engine Mount Attaching - Left - (Serial 14585 & Up)						1	1
	0411281	Bracket - Engine Mount Attaching - (Serial 8001-14584)						1	1
	0411281-5	Bracket - Engine Mount Attaching - (Serial 14585 & Up)						1	1
17-14	0411291	Bulkhead Assembly - Control Tee - Left						1	1
	A6195-8Z-3	Nut - Tinnerman						1	1
	AN366F-1032	Nut						5	5
17-15	AN832-4D	Union - (Bulkhead)						1	1
	AN924-4D	Nut						1	1
17-16	0411291-1	Bulkhead Assembly - Control Tee - Right						1	1
	AN366F-1032	Nut						5	5
17-17	0411349	Bulkhead Assembly - Front Floorboard - Inboard - Left						1	1
	A6195-8Z-3	Nut - Tinnerman						1	1
17-18	0411349-1	Bulkhead Assembly - Front Floorboard - Inboard - Right						1	1
	A6195-8Z-3	Nut - Tinnerman						1	1
17-19	0450111	Bracket - Fuel Strainer - (See Figure 44 Item 47)						1	
17-20	0413227-12	Firewall Assembly - (Serial 11843 & Up And All Spares)						1	
	0413227-14	Firewall Assembly - (Serial 11843 & Up And All Spares)							1
	0453113	Firewall Sheet						1	1
17-21	0450284	Bracket Assembly - Starter Control							1
17-22	0411685	Clip - Interior Trim						4	4
17-23	0413217	Bracket - Power Supply Mount - (Serial 11843 & Up)							2
17-24	0453107	Angle - Firewall Reinforcement - Left						1	1
17-25	0453107-1	Angle - Firewall Reinforcement - Right						1	1
17-26	A6195-8Z-3	Nut - Tinnerman						8	8
17-27	AN832-2D	Union						3	3
	AN924-2D	Nut						3	3

FIGURE 17

FUSELAGE FRONT SECTION

FIGURE AND REF. NO.	PART NUMBER	PART NAME						UNITS REQUIRED ON MODELS	
		1	2	3	4	5	6	120	140
17-28	AN931-3-5				Grommet			1	1
17-29	AN931-4-7				Grommet			1	1
17-30	AN931-4-16				Grommet			3	2
17-31	AN931-11-16				Grommet			1	1
17-32	48199				Plug - United Carr			1	1
17-33	E511				Plug - United Carr			2	
17-34	50711				Plug - United Carr			4	
17-35	E513				Plug - United Carr			1	
17-36	0411630				Stiffener - Fuselage Center Section - (2Req'd Serial 14163 & Up)			4	4
	0411630-3				Stiffener - Fuselage Center Section - Outboard - (Serial 14163 & Up)			2	2
17-37	A6221-8Z-8-D				Nut Strip - Tinnerman			2	2
17-38	0413107				Rub Strip - Fuselage Front Section			2	2
17-39	0411157				Panel Assembly - Stationary Instrument - (1946 Model 140) (See Figure 33 For Parts Breakdown)				1
	0411776				Panel Assembly - Stationary Instrument - (Model 120) (See Figure 32 For Parts Breakdown)				1
	0413127				Panel Assembly - Stationary Instrument - (1947 & 1948 Model 140) (See Figure 34 For Parts Breakdown)				1
17-40	0411280				Floorboard Assembly - Front - Left			1	1
17-41	0411285				Angle + Rudder Bar Shield Attachment - Left			1	1
17-42	A6195-8Z-1				Nut - Tinnerman			2	2
17-43	0411280-1				Floorboard Assembly - Front - Right			1	1
17-44	0411285-1				Angle + Rudder			1	1
	A6195-8Z-1				Nut - Tinnerman			2	2
17-45	0411864				Stiffener Assembly - Canted Bulkhead - Left - (Sta. 20.5)			1	1
	0411864-1				Stiffener Assembly - Canted Bulkhead - Right - (Sta. 20.5)			1	1
17-46	0411511				Floorboard Assembly - Landing Gear Cover			1	1
17-47	0411418				Cover Assembly - Tab Control - Left			1	1
17-48	M451				Bearing - Forrington			1	1
17-49	A1758-10Z-3				Nut - Tinnerman			12	12
17-50	0411077				Etched Plate - Fuel Selector Valve - (Serial 8001-14004)			1	1
	0413275				Etched Plate - Fuel Selector Valve - (Serial 14005 & Up)			1	1
17-51	0411693				Stop - Fuel Selector Valve - (Serial 8001-14004)			1	1
	A6195-8Z-3				Nut - Tinnerman			3	3
	PK76X2-6-6				Screw - (Attach Stop and Etched Plate)			3	3
	0413274				Stop - Fuel Selector Valve - (Serial 14005 & Up)			1	1
17-52	0413137				Flange - Pitot Static Line - (Serial 10300 & Up)			1	1
	AN823-4D				Elbow - 45° - (Serial 10300 & Up)			1	1
17-53	0411741				Bracket - Power Supply Mounting - Left - (Serial 8001-11842)				1
	0411741-1				Bracket - Power Supply Mounting - Right - (Serial 8001-11842)				1
17-54	0413120				Ash Receiver				1
17-55	0413266-2				Decal - Operational Limitations - (Serial 8001-11842)			1	1
	0413266-3				Decal - Operational Limitations - (1948 Model 140)				1

FIGURE 18

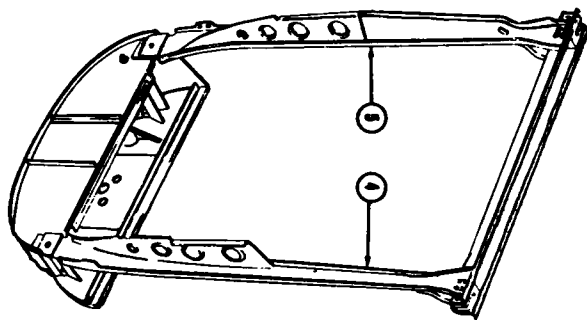
FRONT SECTION BULKHEAD

18-1	0411127-3				Skin Assembly - Landing Gear Cover - Fuselage			1	1
	0411127				Skin - Landing Gear Cover - Fuselage			1	1
18-2	0411634				Stiffener Center Section			4	4
18-3	AN832-4D				Union			1	1
	AN924-4D				Nut			1	1
18-4	0411396				Stiffener - Canted Bulkhead - Left - (Sta. 20.5) (Serial 8001-8799)			1	1
18-5	0411396-1				Stiffener - Canted Bulkhead - Right - (Sta. 20.5) (Serial 8001-8799)			1	1
	0413000-6				Bulkhead Assembly - Landing Gear Support			1	1
18-6	0411131				Spar - Front Fuselage Center Section			1	1
18-7	0411129				Block - Fuselage Spar Bearing			2	2
18-8	AN3-21A				Bolt			8	8
	AN365-1032				Nut			8	8
	10008-2-0				Channel Assembly - Door Post - Left			1	1
18-9	0411865				Channel - Bulkhead - Left - (Sta. 20.5)			1	1
18-10	AN366F-1032				Nut - Plate - (Door Hinge Attaching)			4	4
18-11	0411868				Skin - Cabin - Left - (Serial 8800 & Up)			1	1
18-12	0411866				Stiffener - Canted Bulkhead - Left - (Sta. 20.5) (Serial 8800 & Up)			1	1
18-13	0411132				Brace - Bulkhead Front Wing Spar - Left			1	1
	10008-2-1				Channel Assembly - Door Post - Right			1	1
18-14	0411865-1				Channel - Bulkhead Canted - Right - (Sta. 20.5)			1	1
18-10	AN366F-1032				Nut Plate - (Door Hinge Attaching)			4	4
18-15	0411868-1				Skin - Cabin - Right - (Serial 8800 & Up)			1	1
18-16	0411866-1				Stiffener - Canted Bulkhead - Right - (Sta. 20.5) (Serial 8800 & Up)			1	1

ORDER BY PART NUMBER AND NAME

SERIAL NUMBER AND COLOR IF APPLICABLE

SERIALS 8001 - 8799



SERIALS 8800 & UP

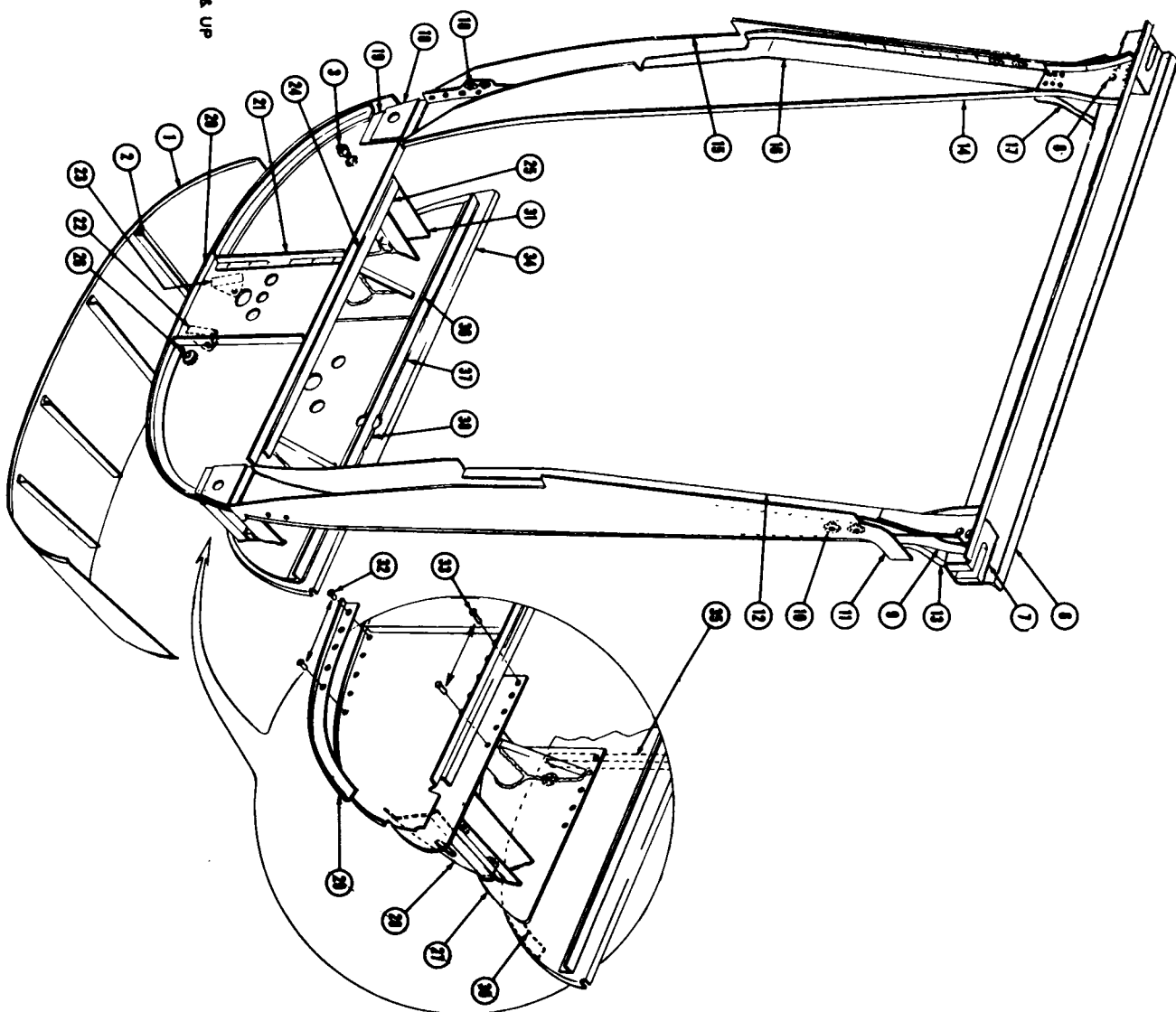


FIGURE 18 - FRONT SECTION BULKHEAD

FIGURE 18

FRONT SECTION BULKHEAD

FIGURE AND REF. NO.	PART NUMBER	PART NAME						UNITS REQUIRED ON MODELS	
		1	2	3	4	5	6	120	140
18-17	0411132-1						Brace - Bulkhead Front Wing Spar - Right	1	1
18-18	10008-2-10						Plate - Bulkhead Bearing	2	2
18-19	0411141						Doubler - Bulkhead Plate - (Sta. 20.5)	2	2
	0413000-3						Bulkhead Assembly - Landing Gear Support	1	1
18-20	0411120						Lower Section - Canted Bulkhead - (Sta. 20.5)	1	1
18-21	0411114						Angle - Bulkhead Stiffener	2	2
18-22	0411430						Bracket - Rudder Cable Pulley - Left - (Sta. 20.5)	1	1
18-23	0411430-1						Bracket - Rudder Cable Pulley - Right - (Sta. 20.5)	1	1
	AN520-10R8						Screw	2	2
	AN365-1032						Nut	2	2
18-24	0411500						Spacer - Landing Gear Support	1	1
18-25	0411506						Angle - Stiffener - (Sta. 20.5)	1	1
18-26	AN931-7-11						Grommet	2	2
18-27	0411495						Support Assembly - Landing Gear - Left	1	1
	AN366P-428						Nut Plate	2	2
18-28	0411502						Angle - Support - Left - (Serial 14163 & Up)	1	1
18-29	0411503						Angle - Front - Left - (Serial 14163 & Up)	1	1
	0411503-1						Angle - Front - Right - (Serial 14163 & Up)	1	1
18-30	0411504						Angle - Rear - Left - (Serial 14163 & Up)	1	1
	0411504-1						Angle - Rear - Right - (Serial 14163 & Up)	1	1
18-31	0411495-1						Support Assembly - Landing Gear - Right	1	1
	AN366P-428						Nut Plate	2	2
	0411502-1						Angle - Support - Right - (Serial 14163 & Up)	1	1
18-32	NAS178-6-3						Rivet - (Serial 14163 & Up)	10	10
	NAS178-6-2						Rivet - (Serial 8001-14162)	10	10
18-33	NAS178-6-A						Rivet	10	10
	NAS179-6						Collar - Rivet	20	20
18-34	0411109						Bulkhead Assembly - (Sta. 27.921)	1	1
18-35	0411113						Angle - Canted Bulkhead Stiffener - Left - (Sta. 27.921)	1	1
	0411113-1						Angle - Canted Bulkhead Stiffener - Right - (Sta. 27.921)	1	1
18-36	0411507						Angle - Stiffener Bulkhead - (Sta. 27.921)	1	1
18-37	0411514						Spacer - Bulkhead Angle - (Sta. 27.921)	1	1
18-38	0411568						Spacer - Bulkhead Angle - (Sta. 27.921)	1	1

FIGURE 19

CONTROL TEE ASSEMBLY

19-1	0411101-2						Tee Installation - Control	1	1
	0411221						Assembly - Control Tee Column	1	1
19-2	0411047						Sprocket - Aileron Control Chain	2	2
19-3	AN3-11A						Bolt	2	2
19-4	AN365-1032						Nut	2	2
19-5	0411221-2						Washer - Control Tee Column	AR	AR
	AN960-A816L						Washer	AR	AR
19-6	0411255						Shaft - Control Tee Column	2	2
19-7	0411257						Joint - Control Tee Universal	2	2
19-8	AN3-10A						Bolt	2	2
19-9	AN365-1032						Nut	2	2
19-10	0411326						Machine Assembly - Control Tee	1	1
	0411256						Weld Assembly - Control Tee	1	1
19-11	0411883						Fairlead - Control Tee Follow Thru Bar	1	1
19-12	B610X						Bearing - Torrington	2	2
19-13	P620						Bushing - Oillite	4	4
19-14	K34						Bearing - Pafnir	1	1
19-15	AN960-816						Washer	2	2
19-16	AN4-31A						Bolt	1	1
19-17	AN960-416L						Washer	1	1
19-18	AN365-428						Nut	1	1
19-19	S-18-30						Bushing	1	1
19-20	0411269						Link - Elevator Control	1	1
19-21	AN4-10A						Bolt	1	1
19-22	AN960-416						Washer	1	1
19-23	AN365-428						Nut	1	1
19-24	0413016						Wheel Assembly - Control - (Serial 11842 & Up)	2	2
19-25	0413016-2						Wheel - Control	1	1
19-26	0413216						Rivet	2	2
19-27	0413213						Tube - Control - Cadmium Plated - (1947 Model 120 & 140 and 1948 Model 120)	2	2
19-27	0413213-1						Tube - Control - Chrome Plated - (1948 Model 140)	2	2
19-28	AN3-11A						Bolt	2	2
19-29	AN365-1032						Nut	2	2
19-30	0411633						Wheel Assembly - Control - (Serial 8001-11842)	2	2

ORDER BY PART NUMBER AND NAME

SERIAL NUMBER AND COLOR IF APPLICABLE

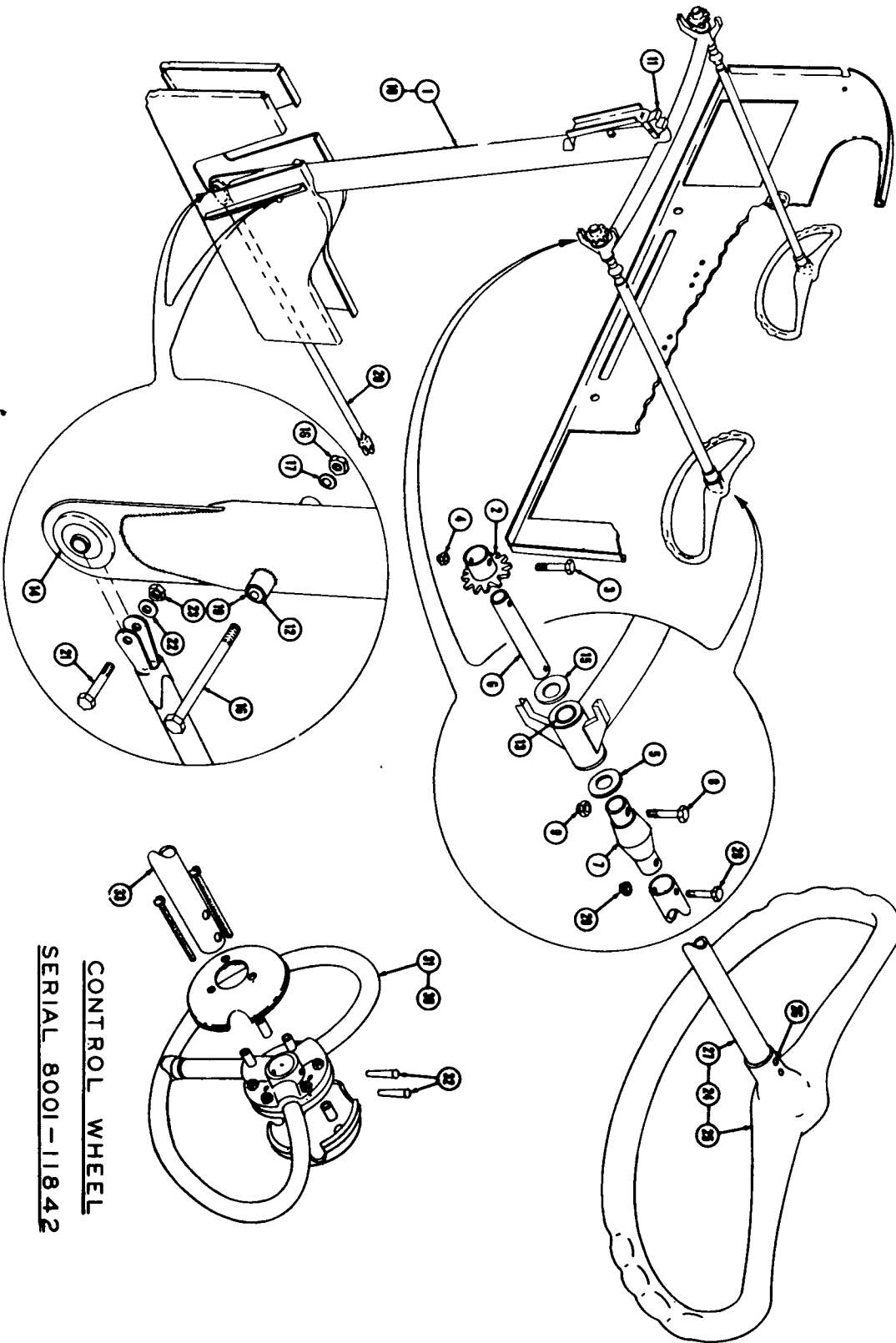


FIGURE 19-CONTROL TEE ASSEMBLY

CONTROL WHEEL
SERIAL 8001-11842

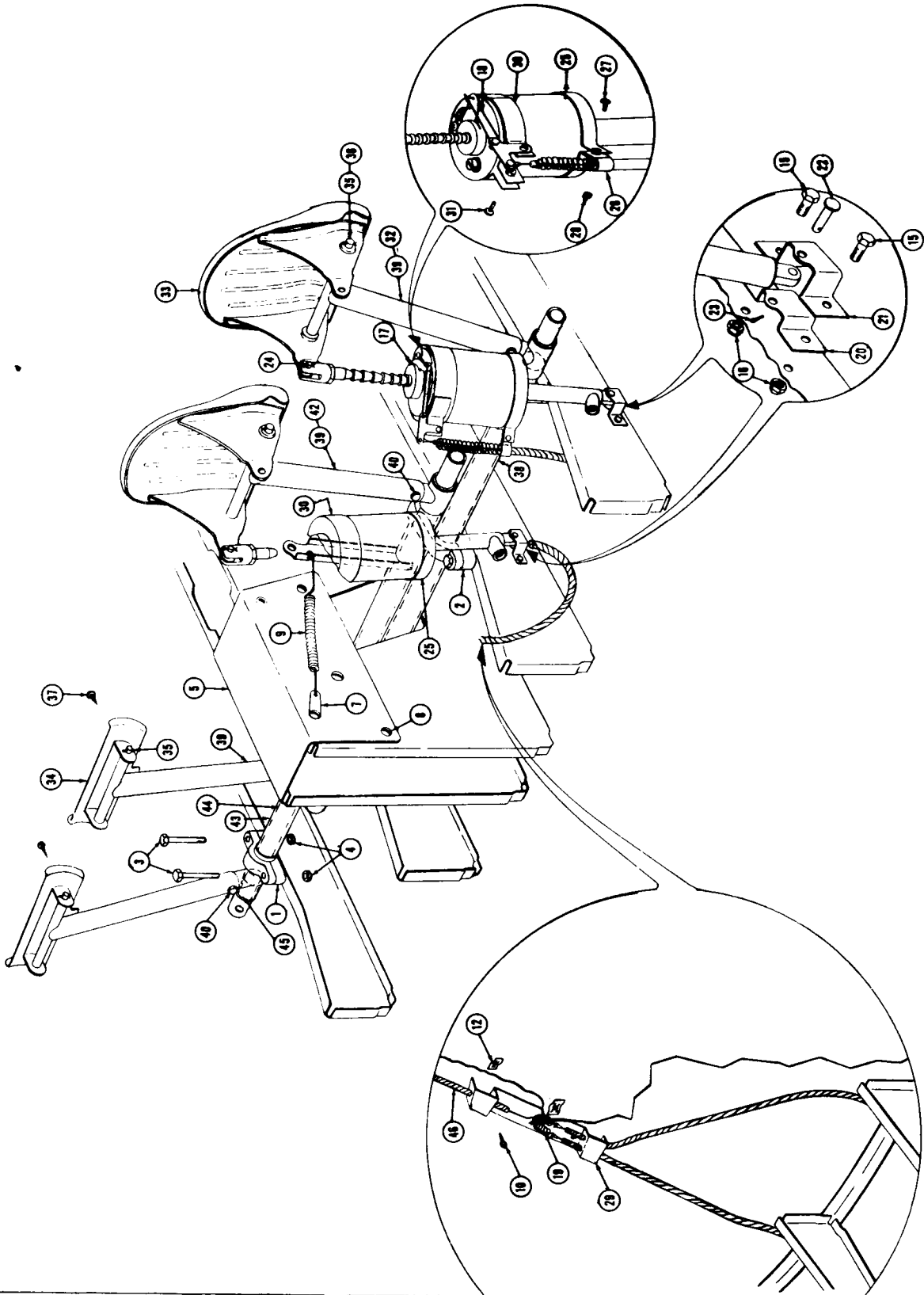


FIGURE 20 - BRAKE AND RUDDER PEDAL INSTALLATION

FIGURE 19

CONTROL TEE ASSEMBLY

FIGURE AND REF. NO.	PART NUMBER	PART NAME						UNITS REQUIRED ON MODELS		
		1	2	3	4	5	6	120	140	
19-31	1020				Wheel - Control	-	Decker	1	1	
	- - - -				Hub Kit -	(Includes Front and Rear Plastic Covers and Three Screws and Three Bushings)				
19-32	AC385-4-10				Pin - Taper			1	1	
19-33	0411223				Tube - Control			2	2	
								1	1	

FIGURE 20

BRAKE AND RUDDER PEDAL INSTALLATION

0411601		Pedal Installation - Rudder Installation - (Reference Only)							
20-1	0411263				Bearing - Rudder	Pedal	Outboard	2	2
20-2	0411264				Bearing - Rudder	Pedal	Center	2	2
20-3	AN3-14A				Bolt			8	8
20-4	AN365-1032				Nut			8	8
20-5	0411286				Stiffener - Control Tee	Bulkhead		1	1
20-7	0411132				Clip - Brake And Rudder	Return		2	2
20-8	AN526-1032R7				Screw - (Attach Stiffener to Bulkhead)			10	10
20-9	0411837-1				Spring - Brake And Rudder	Return - Left		1	1
	0411837-2				Spring - Brake And Rudder	Return - Right		1	1
20-10*	PK76XZ-8-8				Screw - (Attach Cable Assembly)			2	2
20-12	A1778-8Z-3				Nut - Tinnerman			2	2
20-15	AN3-3A				Bolt			4	4
20-16	AN365-1032				Nut			4	4
20-17	See Figure 21				Master Cylinder And Parts				
20-18	0413188				Link - Master Cylinder	Connector		2	2
20-19	0411647				Spring - Parking Brake	Cable Connector		2	2
20-20	0411549				Bracket - Brake Cylinder - Inside			2	2
20-21	0411550				Bracket - Brake Cylinder - Outside			2	2
20-22	AN393-13				Pin			2	2
20-23	AN380-2-2				Pin - Cotter			2	2
20-24	AN393-19				Pin			2	2
	AN380-2-2				Pin - Cotter			2	2
20-25	0411641				Clamp Assembly - Parking Brake	Cable		2	2
	0411643				Clamp - Parking Brake			1	1
20-26	A2980A-3				Clamp - Tinnerman			1	1
20-27	AN526-832R-10				Screw			1	1
20-28	AN365-832				Nut			1	1
20-29	0413187				Cable Assembly - Parking Brake			1	1
20-30	0411640				Clamp Assembly - Parking Brake			2	2
20-31	AN526-832R-8				Screw			1	1
	AN365-832				Nut			1	1
20-32	0411454				Bar Assembly - Single Brake And Rudder - Left			1	1
20-33	0412482				Pedal - Rudder And Brake			1	1
20-34	0411739				Pedal Assembly - Co-Pilot's Rudder			1	1
20-35	0411369-1				Shaft - Rudder Pedal - (4 1/2" Length For Use With Cast Pedal)			1	1
20-36	0411369-2				Shaft - Rudder Pedal - (3 7/8" Length For Use With Sheet Metal Pedal)			1	1
	AN380-3-4				Pin - Cotter			4	4
20-37	PK76XZ-10-6				Screw			1	1
20-38	0411306				Bar Assembly - Rudder Pedal - Left			1	1
20-39	0411307				Arm Assembly - Rudder Pedal			2	2
20-40	AN3-11A				Bolt - (Attach Rudder Pedal Arm)			2	2
	AN365-1032				Nut			2	2
20-42	0411454-1				Bar Assembly - Single Brake And Rudder - Right			1	1
20-33	0412482				Pedal - Rudder And Brake			1	1
20-34	0411739				Pedal Assembly - Co-Pilot's Rudder			1	1
20-35	0411369-1				Shaft - Rudder Pedal - (4 1/2" Length For Use With Cast Pedal)			1	1
20-36	0411369-2				Shaft - Rudder Pedal - (3 7/8" Length For Use With Sheet Metal Pedal)			1	1
	AN380-3-4				Pin - Cotter			4	4
20-37	PK76XZ-10-6				Screw			1	1
20-43	0411306-1				Bar Assembly - Rudder Pedal - Right			1	1
20-39	0411307				Arm Assembly - Rudder Pedal			2	2
20-40	AN3-11A				Bolt - (Attach Rudder Pedal Arm)			2	2
	AN365-1032				Nut			2	2
20-44	0411565				Torque Tube - Dual Brakes			2	2
20-45	0411548				Bearing - Rudder Bar - (O-lite)			4	4
20-46	- - - -				Control Cable - Parking Brake - (Reference Only) (See Figure 34 For Model 140 Control, See Figure 32 For Model 120 Control)				

ORDER BY PART NUMBER AND NAME

SERIAL NUMBER AND COLOR IF APPLICABLE

ILLUSTRATED PARTS CATALOG

FIGURE 21

MASTER BRAKE CYLINDER

FIGURE AND REF. NO.	PART NUMBER	PART NAME						UNITS REQUIRED ON MODELS	
		1	2	3	4	5	6	120	140
20-17	95-3681						Cylinder - Brake Master - (Cessna Print 0411058)	2	2
21-1	95-3676						Sub Assembly - Cylinder And Reservoir	1	1
21-2	95-3786						Spring - Piston Return	1	1
21-3	9510088						Sub Assembly - Piston And Rod	1	1
21-10	AN6227-7						O Ring	1	1
21-11	95-3682						Cover - Reservoir	1	1
21-12	9510247						Layer - Parking	1	1
21-13	95-3673						Pin - Dowel	1	1
21-14	95-3671						Spring - Tension	1	1
21-15	9510292						Plug - Pipe	1	1
21-16	AN316-4R						Nut - Check	1	1
21-17	9510045						Clevis - Rod End	1	1

FIGURE 22

FUSELAGE CENTER SECTION

22-1	0411126						Skin - Fuselage Center Section - (Sta. 27.921 - 56.69)	1	1
	0411121						Jamb - Door Rear - Left	1	1
22-2	0411121-1						Jamb - Door Rear - Right	1	1
22-3	0411146						Fillet - Door Frame - Lower Rear	2	2
	0411315						Bracket - Seat Back Pivot - Left	1	1
22-4	0411315-1						Bracket - Seat Back Pivot - Right	1	1
22-5	0411372-12						Top Assembly - Cabin - Model 120	1	
	0411372-14						Top Assembly - Cabin - Model 140		1
22-6	0411123						Skin - Cabin Top	1	1
22-7	0411144						Window - Top - (.060 Green Lucite)	2	2
22-8	0411174						Frame - Top Window	2	2
22-9	0411178						Stiffener Assembly - Cabin Top - Model 140	2	2
	0411680						Hanger - Interior Trim	1	1
22-10	0413181						Clip - Cabin Top Window Upholstery		14
22-11	0412152-2						Moulding - Rubber - (1032 Goodrich Extrusion)	2	2
22-12	0411408-14						Rib Assembly - Center Section - Left	1	1
22-13	0411850						Bracket - Head Phone Jack	1	1
22-14	AN931-3-5						Grommet	1	1
22-15	0411408-15						Rib Assembly - Center Section - Right	1	1
	AN931-3-5						Grommet	1	1
22-16	0411413						Fillet - Door Frame - Upper Rear	2	2
22-17	0411457						Catch - Seat Back - Left	1	1
22-18	0411457-1						Catch - Seat Back - Right	1	1
22-19	0411570						Angle - Bulkhead Reinforcement	2	2
22-20	0411582						Strike - Door Catch	2	2
	PK76XZ-8-6						Screw	4	4
	A6196-8Z-3						Nut - Tinnerman	4	4
22-21	0411620						Sill Assembly - Door - Left	1	1
	0411345						Support - Door Sill - Lower	1	1
22-22	0411147						Fillet - Door Frame - Lower Front	1	1
22-23	0411620-1						Sill Assembly - Door - Right	1	1
22-24	0411345						Support - Door Sill - Lower	1	1
	0411147						Fillet - Door Frame - Lower Front	1	1
22-25	0411622						Fillet - Door Frame - Upper Front	1	1
22-26	0411632						Support And Bellcrank Assembly	2	2
22-27	0411110						Support - Bellcrank	1	1
22-28	0411288						Bellcrank And Bracket Assembly - Elevator	1	1
	0411289						Bracket - Elevator Bellcrank - Lower	1	1
22-29	0411290						Bracket - Elevator Bellcrank - Upper	1	1
22-30	0411258						Bellcrank Assembly - Elevator Control	1	1
22-31	AR4-1						Bearing - Torrington	1	1
22-32	KS-4						Bearing - Fafnir	1	1
22-33	AN4-10A						Bolt	1	1
22-34	AN365-428						Nut	1	1
22-35	0411569						Angle - Bulkhead Support - Left	1	1
22-36	0411569-1						Angle - Bulkhead Support - Right	1	1
22-37	0411636						Stiffener - Fuselage Center Section	2	2
22-38	0411651						Stiffener - Fuselage Center Section	2	2
22-39	0411689						Channel - Interior Trim		2
22-40	0411696						Support - Cabin Headlining - Left		1
	0411696-1						Support - Cabin Headlining - Right		1
22-41	0411715						Spacer - Upholstery Panel		2

ORDER BY PART NUMBER AND NAME

SERIAL NUMBER AND COLOR IF APPLICABLE

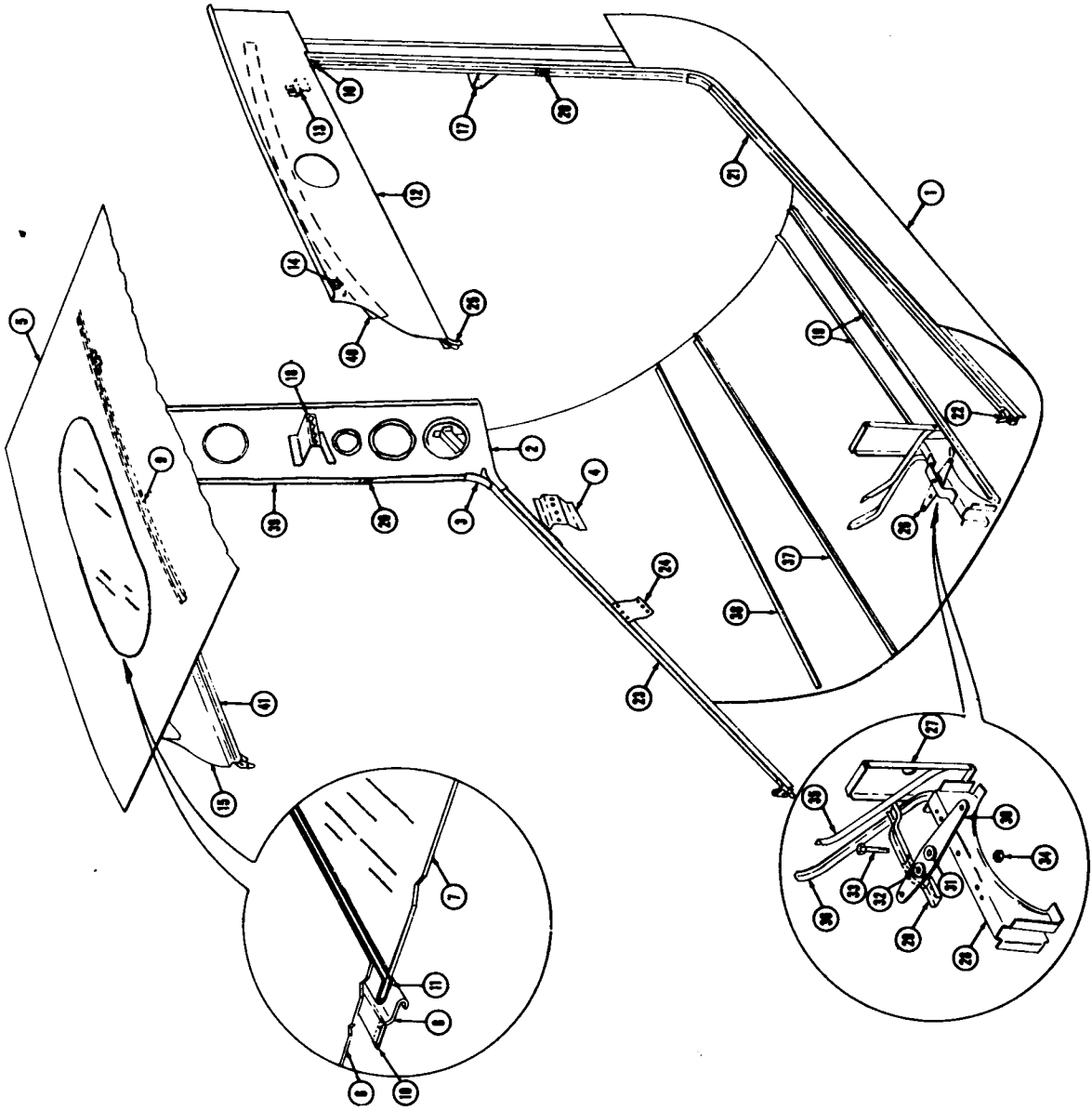


FIGURE 22-FUSELAGE CENTER SECTION

FIGURE 23

FUSELAGE AFT SECTION

FIGURE AND REF. NO.	PART NUMBER	PART NAME						UNITS REQUIRED ON MODELS	
								120	140
								1	2
23-	0412000-12							1	
23-	0412000-14								1
23-1	0411124								1
23-2	0411675-14								1
	0411692								1
23-3	0411692-1								1
	0412144								1
23-4	0412144-1								1
23-5	0412145								1
23-6	0412152-3								2
23-7	0411134							1	1
23-8	0411107							1	1
23-9	0411115							1	1
23-10	0411447							2	2
	AN520-10R7							2	2
	AN365-1032							2	2
23-11	0411449							1	1
	AN520-10R7							1	1
	AN365-1032							1	1
23-12	0411451							1	1
	AN520-10R7							1	1
	AN365-1032							1	1
23-13	0411452							1	1
	AN520-10R7							1	1
	AN365-1032							1	1
23-14	0411476							1	1
	AN366P-428							2	2
23-15	0411129							2	2
23-16	AN3-20A							8	8
	AN365-1032							8	8
23-17	0411277							1	1
	0411277-1							1	1
23-18	AN931-7-11							1	1
23-19	0411210							1	1
23-20	0411362							1	1
	0411361							1	1
	AN931-3-5							1	1
	0411208							1	1
23-21	0411362-1							1	1
	0411361							1	1
	0411208-1							1	1
23-22	0411411-14							1	1
23-22	0411411-12							1	1
	0411394							1	1
	0411468							1	1
	AN526-1032-R7							1	1
	AN365-1032							1	1
	0412467							1	1
	AN931-6-10							1	1
	0411533							1	1
23-23	0411533-1							1	1
	NAS222-9							2	2
	AN365-428							2	2
23-24	0411534							1	1
23-25	0411534-1							1	1
	NAS222-9							2	2
	AN365-428							2	2
23-26	0411572							1	1
	NAS221-8							1	1
	AN365-428							1	1
23-27	0411675-12							1	1
23-28	0412109							1	1
	0412468							1	1
23-29	0412112							1	1
23-30	0412114							2	2
	0412114							2	2
23-31	0412116							1	1
23-32	0412117							1	1
23-33	0412118							1	1
23-34	0412121-2							1	1
23-35	0412121-3							1	1
23-36	0412133							1	1
	AN931-3-5							1	1
	0411458							1	1

ORDER BY PART NUMBER AND NAME

SERIAL NUMBER AND COLOR IF APPLICABLE

FIGURE 23

FUSELAGE AFT SECTION

FIGURE AND REF. NO.	PART NUMBER	PART NAME						UNITS REQUIRED ON MODELS	
		1	2	3	4	5	6	120	140
	0411458-1						Bracket - Elevator Control Pulley - Right - Upper - (Sta. 173.406)	1	1
	AN526-1032-R7						Screw	2	2
	AN365-1032						Nut	2	2
	0412132						Angle - Bulkhead Elevator Pulley Bracket Stiffener - (Sta. 173.406)	1	1
23-37	0412139						Bracket Assembly - Tailwheel Mounting	1	1
23-38	0442112						Stiffener - Tailwheel Attachment	1	1
23-39	0442127						Stiffener - Tailwheel Attachment	1	1
23-40	0412142						Bracket - Rudder Fairlead	2	2
23-41	0412169						Bulkhead Assembly - Fuselage - (Sta. 200.375)	1	1
	AN366P-832						Nut	2	2
23-42	0412146						Battery Box Assembly		1
	0412147						Box Assembly - Battery - Upper		1
	0412151-1						Hinge - Battery Box		2
	0412151-4						Hinge - Battery Box		2
	0412153						Strap - Battery Box Retainer		4
	0412470						Insulator - Battery Box Cover		1
	0412148						Box Assembly - Battery - Lower		1
	0412151-1						Hinge - Battery Box		2
	0412151-2						Hinge - Battery Box		1
	0412151-3						Hinge - Battery Box		1
	0412471						Insulator - Battery Box Sides		2
	0412167						Clip - Battery Box		2
	0412151-5						Pin - Hinge		2
	AN415-2						Pin - Lock		2
23-43	0412157						Angle - Reinforcement Tailwheel Bracket	2	2
23-44	0412162						Bulkhead Assembly - Fuselage - (Sta. 95.000)	1	1
	0412469						Rubbing Strip - Bulkhead - (Sta. 95.000)	1	1
	AN931-3-5						Grommet	1	1
23-45	0442106						Leaf - Tailwheel Spring - (Serial 8001-14026)	1	1
23-46	0442107						Leaf - Tailwheel Spring	1	1
23-47	0442109						Leaf - Tailwheel Spring - (Serial 8001-14026)	1	1
23-48	0442108						Leaf - Tailwheel Spring - (Serial 8001-14026)	1	1
23-49	0442110						Leaf - Tailwheel Spring - (Serial 8001-14026)	1	1
23-50	0442114						Bushing - Tailwheel Attachment Rudder	1	1
23-51	0442115						Stiffener - Tailwheel Attachment	1	1
23-52	AN3-17A						Bolt	2	2
23-53	AN365-1032						Nut	2	2
23-54	0442116						Retainer - Tailwheel Rubber Attachment	1	1
23-55	0442124						Assembly Strip - Tailwheel Spring Abrasion	1	1
23-56	0442119						Pad - Tailwheel Rubber Attachment	2	2
23-57	0442122						Shackle Assembly - Tailwheel Spring	1	1
23-58	0442125						Guard - Tailwheel Steering Chain	1	1
23-59	AN4-21A						Bolt	1	1
	AN365-428						Nut	1	1
23-60	AN3H-6A						Bolt	2	2
23-61	AN960-10L						Washer	2	2
23-62	AN365-1032						Nut	2	2
	AN931-7-11						Grommet - (Battery Drain)		1
23-63	AN5-20A						Bolt	1	1
23-64	AN365-524						Nut	1	1
23-65	AN970-5						Washer	1	1
23-66	A6195-8Z-3						Nut	4	4
	AN931-3-5						Grommet - (Tail Light Wire)		2
23-67	- - - -						Elevator Control System - (Reference Only) (See Figure 47)		
23-	0412000-6						Tail Cone Assembly - Fuselage - (Replacement Structure Complete Including 0412133 Bulkhead Assembly - Sta. 173.406 And All Parts Aft To And Inclusive of 0412139 Tailwheel Mounting Bracket)	1	1
23-68	0442109-2						Leaf - Tailwheel Spring - (Serial 14027 & Up)	1	1
23-69	0442108-2						Leaf - Tailwheel Spring - (Serial 14027 & Up)	1	1
23-70	0442110-2						Leaf - Tailwheel Spring - (Serial 14027 & Up)	1	1
23-71	0442106-2						Leaf - Tailwheel Spring - (Serial 14027 & Up)	1	1
							Note: Please Order 52-3-118 Kit - Tailwheel Spring if Complete Tailwheel Spring Assembly is Desired		

ORDER BY PART NUMBER AND NAME

SERIAL NUMBER AND COLOR IF APPLICABLE

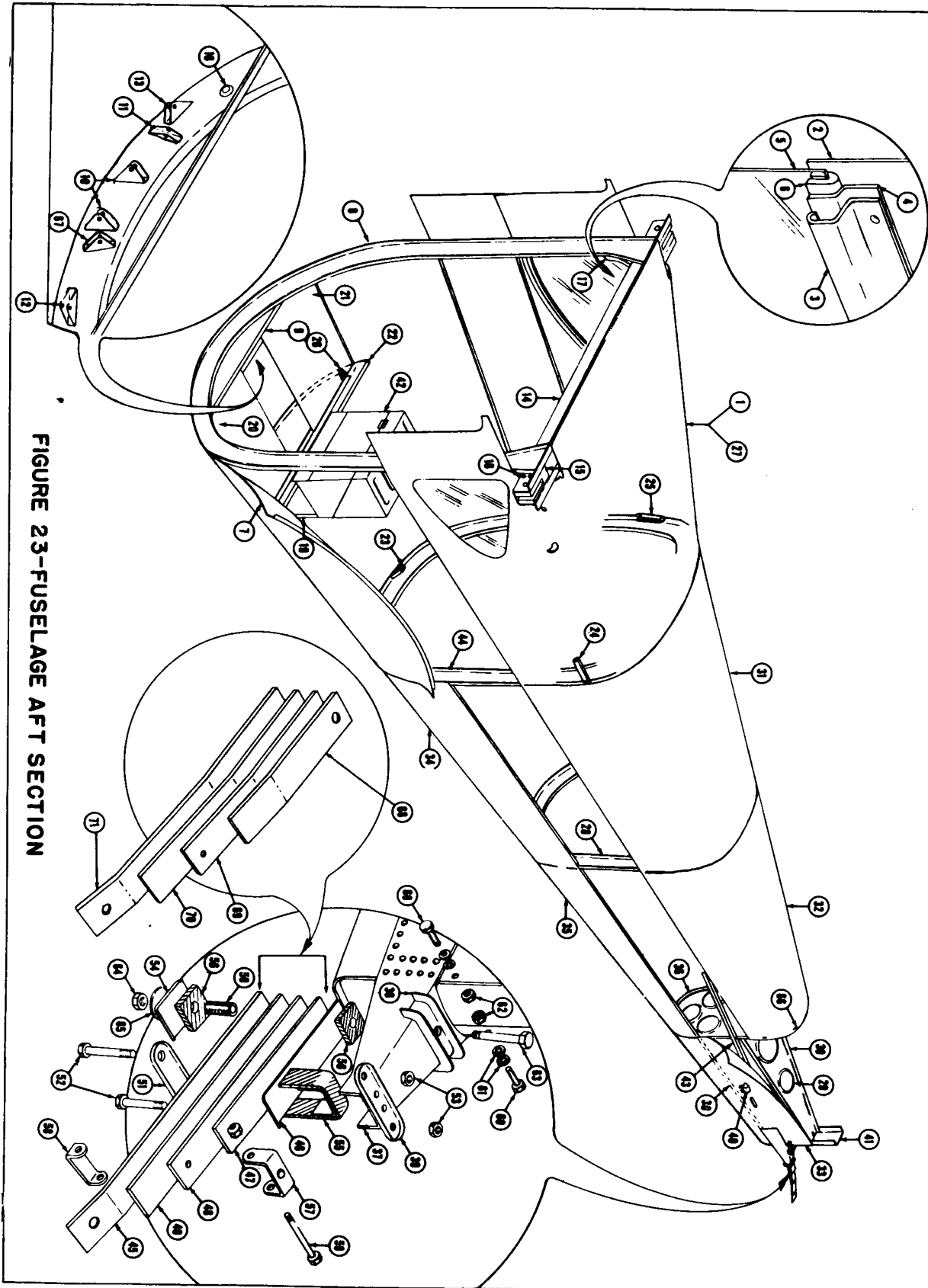


FIGURE 23-FUSELAGE AFT SECTION

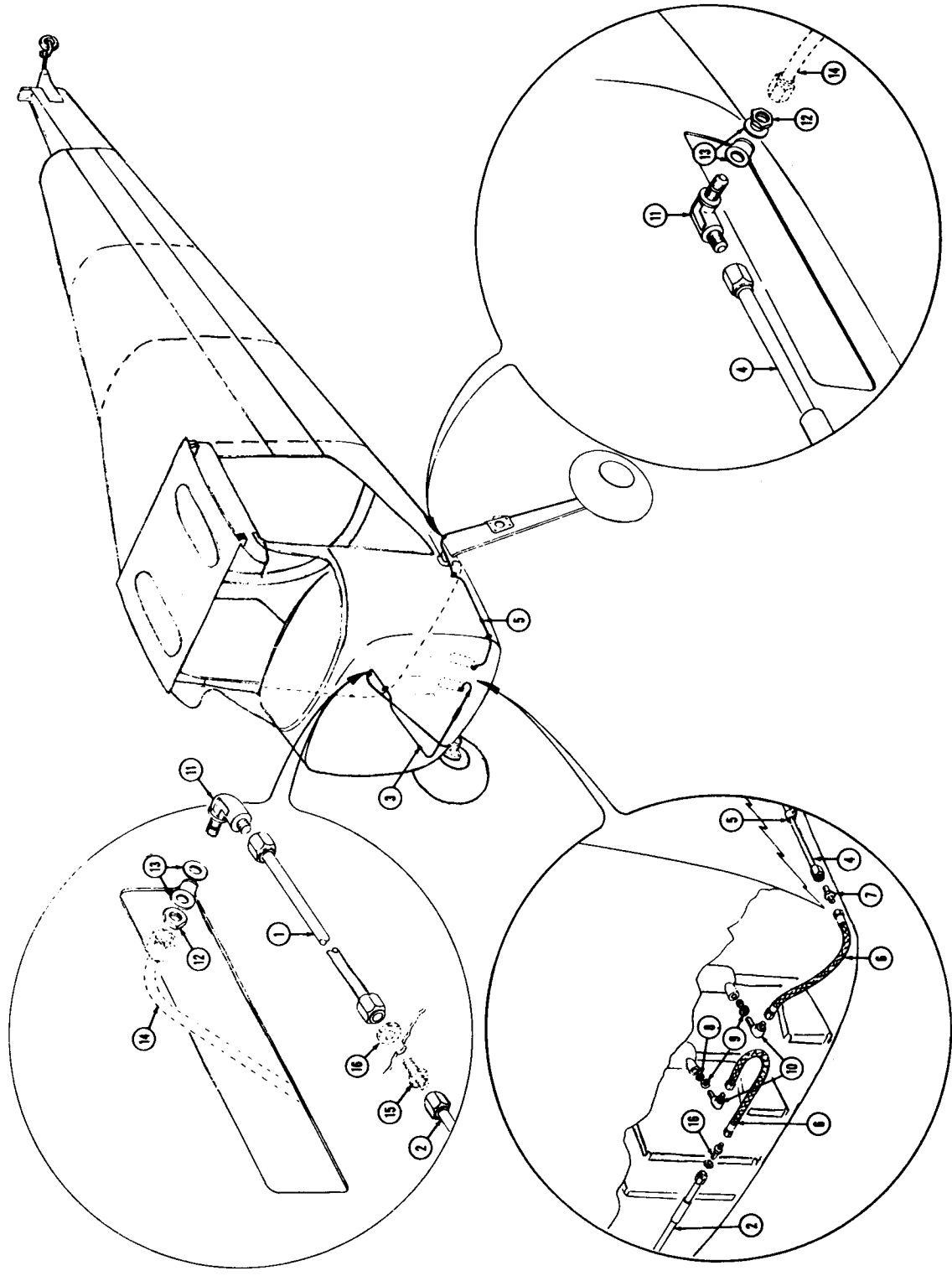


FIGURE 24 - HYDRAULIC BRAKE LINES

FIGURE 24

HYDRAULIC BRAKE LINES

FIGURE AND REF. NO.	PART NUMBER	PART NAME	UNITS REQUIRED ON MODELS	
			120	140
24-1	0400106-30	Line Assembly - Brake - Right - (Fuselage Skin to Bulkhead)	1	1
24-2	0411758	Line Assembly - Brake - Right - (Cylinder to Bulkhead)	1	1
24-3	A3048A-6	Clamp - Tube	1	1
	PK76XZ-8-8	Screw	1	1
24-4	0411797	Line Assembly - Brake - Left - (Flex Tube to Bulkhead)	1	1
24-5	A3048A-6	Clamp - Tube	1	1
	PK76XZ-8-8	Screw	1	1
24-6	AN6260-4D-10	Hose - Flexible - (Alternate AN859-4D-10)	2	2
24-7	AN815-4D	Union	1	1
24-8	AN902-4	Gasket	2	2
24-9	AN924-4D	Nut	2	2
24-10	AN921-4D	Elbow - 90°	2	2
24-11	AN833-4D	Elbow - Bulkhead	2	2
24-12	AN924-4D	Nut	2	2
24-13	AN960-716L	Washer	4	4
24-14	See Figure 26			
24-15	See Figure 17			
24-16	See Figure 17			

FIGURE 25

FUSELAGE ELECTRICAL WIRING INSTALLATION

25-1	A3047A-4	Clamp - Tinnerman		2
	PK76XZ-8-6	Screw		2
25-2	A3047A-5	Clamp - Tinnerman		1
	PK76XZ-8-8	Screw		1
25-3	A3047A-6	Clamp - Tinnerman		1
	PK76XZ-8-8	Screw		1
25-4	A3047A-8	Clamp - Tinnerman		1
	PK76XZ-8-8	Screw		1
25-5	A3047A-7	Clamp - Tinnerman		1
	PK76XZ-8-8	Screw		1
25-6	49164	Harness Band - United Carr		1
25-7	49165	Harness Band - United Carr		2
25-8	49166	Harness Band - United Carr		1
25-9	A2980A-2	Clamp - Tinnerman		1
25-10	A2980A-3	Clamp - Tinnerman		1
	PK76XZ-8-6	Screw		1
	A1778-8Z-3	Nut		1
25-11	A3047A-6	Clamp - Tinnerman		2
	PK76XZ-8-6	Screw		2
25-12	A3493-1	Clip - Tinnerman		2
25-13	49165	Harness Band - United Carr		1
25-14	A3047A-7	Clamp - Tinnerman		2
	PK76XZ-8-6	Screw		2
25-15	49212	Harness Band - United Carr		1
25-15	1/2"	Tube - Transflex - (18" Length)		1
25-16	49165	Harness Band - United Carr		1
25-17	A2981A-2	Clamp - Tinnerman		2
	PK76XZ-8-6	Screw		2
	T-118	Insulator - (Alternate 3/4" Size 9 Transflex Tube)		2
25-18	A2981A-10	Clamp - Tinnerman		1
	PK76XZ-8-6	Screw		2
	A6436-8Z-3	Bracket		1
	1/2"	Tube - Transflex - (14" Length)		1
25-19	A3493-1	Clip - Tinnerman		9
25-20	A3493-1	Clip - Tinnerman		2
25-21	A2981A-2	Clamp - Tinnerman		1
	PK76XZ-8-6	Screw		1
	T-118	Insulator - (Alternate 3/4" Size 9 Transflex Tube)		1
25-22	AN526-1032R7	Bolt - (Attach Solenoid)		4
	AN365-1032	Nut		4
25-23	4H12F	Ground - Battery		1
25-24	AN4-4A	Bolt		1
	AN365-428	Nut		1
25-25	CR2792-D116A2	Contactor - Solenoid - (Not Available As Spare Part - See R-57)		1
25-25	R-57	Contactor - Solenoid		1
25-26	See Figure 42	Cable Battery		
25-27	S-24	Battery - Reading - (12 Volt)		1
		Note: Order Kit 52-3-109 Which Includes Spacers For Large Battery Box		

ORDER BY PART NUMBER AND NAME

SERIAL NUMBER AND COLOR IF APPLICABLE

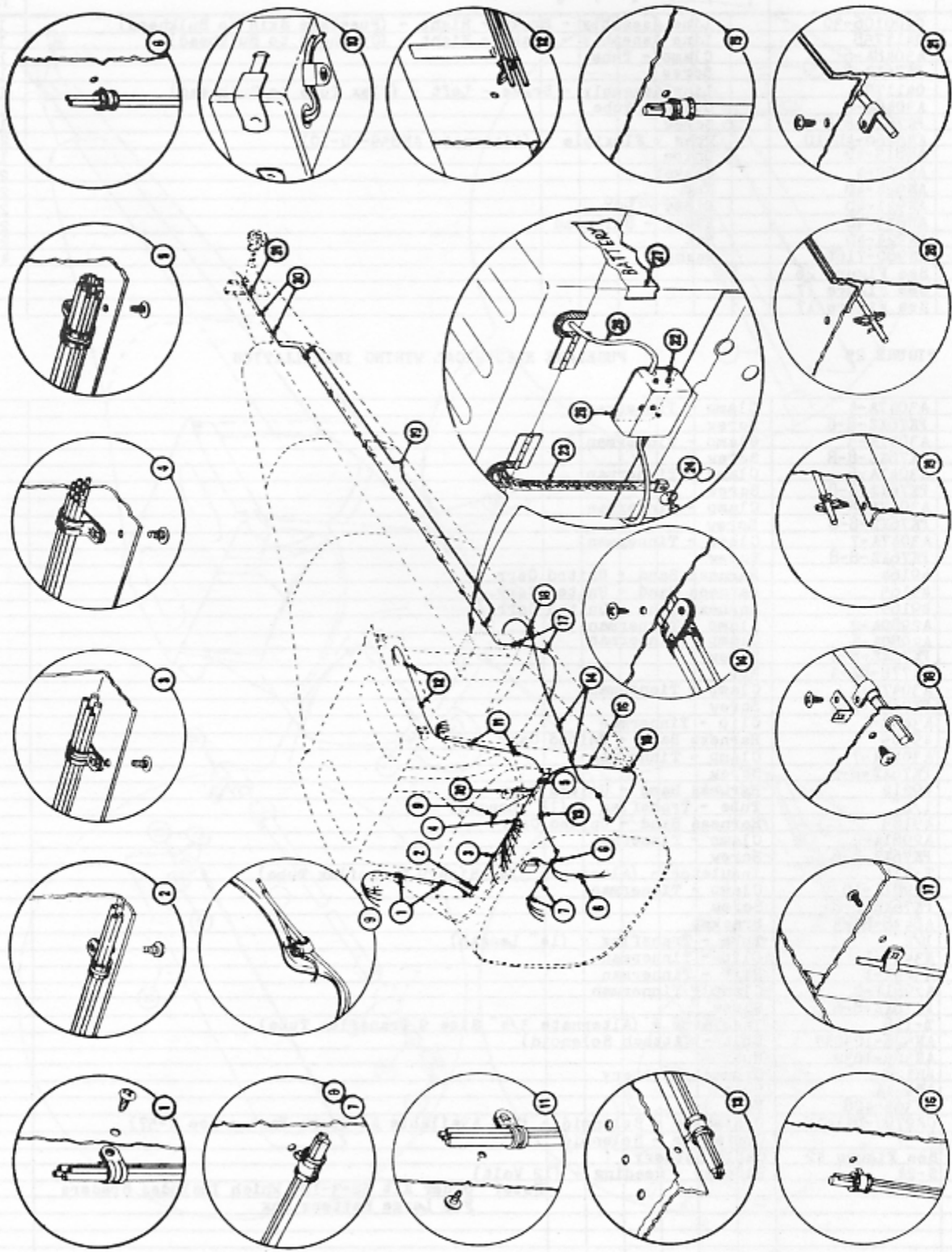


FIGURE 25-FUSELAGE ELECTRICAL WIRING

ILLUSTRATED PARTS CATALOG

FIGURE 26

LANDING GEAR ASSEMBLIES

FIGURE AND REF. NO.	PART NUMBER	PART NAME	UNITS REQUIRED ON MODELS	
			1	2
			120	140
26-1	0411762	Plate - Landing Gear Fillet - Left	1	1
	0411762-1	Plate - Landing Gear Fillet - Right	1	1
26-2	0411763	Seal - Landing Gear Fillet	2	2
26-3	0441115	Wedge - Landing Gear Support	4	4
26-4	PK76XZ-8-8	Screw	12	12
26-5	AN4-5A	Bolt	4	4
26-6	NAS147-59	Bolt	2	2
26-7	NAS143-7C	Washer	2	2
26-8	22FL720	Nut	2	2
26-	0441101-4	Assembly - Main Landing Gear - Left - (Serial 8001-9174)	1	1
26-	0441101-8	Assembly - Main Landing Gear - Left - (Serial 9175-13399)	1	1
26-	0441103-4	Assembly - Main Landing Gear - Left - (Serial 13400 & Up)	1	1
26-9	0400106-4	Line Assembly - Brake - Left - (Serial 8001-9174)	1	1
26-9	0400106-48	Line Assembly - Brake - Left - (Serial 9175-14306)	1	1
26-9	0400106-74	Line Assembly - Brake - Left - (Serial 14307 & Up)	1	1
26-10	95-2353	Fairing - Complete - (Includes Screws & Lock Washers)	1	1
26-11	AN515-6-4	Screw	3	3
26-12	AN936-A6	Washer - Lock	3	3
26-13	0441107	Axle - Landing Gear - (Serial 8001-13399) (Axles On Serial 8001-8799 Must Have Center Flange Cut From Two Inch Dia. to 1.625 Dia. If 95-3422 Wheel and 95-20516 Brake Are Installed)	1	1
26-13	0441140	Axle - Landing Gear - (Serial 13400 & Up)	1	1
26-14	0441110	Spring - Main Landing Gear - (Serial 8001-13399)	1	1
26-14	0441138	Spring - Main Landing Gear - (Serial 13400-14306)	1	1
26-14	0441149	Spring - Main Landing Gear - Left - (Serial 14307 & Up)	1	1
26-15	0441112	Step Assembly - Main Landing Gear - Left	1	1
26-16	AN435-6P-16	Rivet	2	2
26-17	0441116-1	Shim - Main Landing Gear - (One Degree) (Serial 8001-13399)	1	1
26-17	0441139-1	Shim - Main Landing Gear - (One Degree) (Serial 13400 & Up)	1	1
26-17	0441116-2	Shim - Main Landing Gear - (Two Degree) (Serial 8001-13399)	1	1
26-17	0441139-2	Shim - Main Landing Gear - (Two Degree) (Serial 13400 & Up)	1	1
26-18	- - -	See Bolt and Washer Chart		
26-19	22FL428	Nut - Flexlock - (Serial 8001-13399)	4	4
26-19	AN365-524	Nut - (Serial 13400 & Up)	4	4
26-20	0441119	Hose - Brake Line Protector	2	2
26-21	0441126	Plate - Brake Disc Cover - Left - (Serial 8001-9174)	1	1
26-21	0441136	Plate - Brake Disc Cover - Left - (Serial 9175-13399)	1	1
26-21	0441141	Plate - Brake Disc Cover - Left - (Serial 13400 & Up)	1	1
26-22	6:00 x 6	Tire - 4 Ply Aircraft	1	1
	6:00 x 6	Tube - Aircraft	1	1
26-23	AN7502-24	Nut	1	1
26-24	AN380-4-3	Pin - Cotter	2	2
26-25	AN833-4D	Elbow	1	1
26-26	AN902-4	Gasket	1	1
26-27	AN924-4D	Nut	1	1
26-28	95-2311	Wheel Assembly - 6:00 x 6 - (Cessna Print 0441006) (Serial 8001-9174) (See Figure 27 For Details)	1	1
26-28	95-3472	Wheel Assembly - 6:00 x 6 - (Cessna Print 0441016) (Serial 9175 & Up) (See Figure 28 For Details)	1	1
26-29	9520298	Brake Assembly - Single Disc - (Cessna Print 0441009) (Serial 8001-9174) (See Figure 27 For Details)	1	1
26-29	9520517	Brake Assembly - Single Disc - (Cessna Print 0441015) (Serial 9175-13399) (See Figure 28 For Details)	1	1
26-29	0441137	Brake Assembly - Single Disc - (Serial 13400 & Up) (See Figure 28 For Details)	1	1
26-	0441101-5	Assembly - Main Landing Gear - Right - (Serial 8001-9174)	1	1
26-	0441101-9	Assembly - Main Landing Gear - Right - (Serial 9174-13399)	1	1
26-	0441103-5	Assembly - Main Landing Gear - Right - (Serial 13400 & Up)	1	1
26-9	0400106-5	Line Assembly - Brake - Right - (Serial 8001-9174)	1	1
26-9	0400106-49	Line Assembly - Brake - Right - (Serial 9175-14306)	1	1
26-9	0400106-75	Line Assembly - Brake - Right - (Serial 14307 & Up)	1	1
26-10	95-2353	Fairing Kit - Complete - (Includes Screws & Lock Washers)	1	1
26-11	AN515-6-4	Screw	3	3
26-12	AN936-A6	Washer - Lock	3	3
26-13	0441107	Axle - Landing Gear - (Serial 8001-13399) (See Note Item 13) - Left	1	1
26-13	0441140	Axle - Landing Gear - (Serial 13400 & Up)	1	1
26-14	0441110	Spring - Main Landing Gear - (Serial 8001-13399)	1	1
26-14	0441138	Spring - Main Landing Gear - (Serial 13400-14306)	1	1
26-14	0441149-1	Spring - Main Landing Gear - Right - (Serial 14307 & Up)	1	1
26-15	0441112-1	Step Assembly - Main Landing Gear - Right	1	1
26-16	AN435-6P-16	Rivet	2	2
26-17	0441116-1	Shim - Main Landing Gear - (One Degree) (Serial 8001-13399)	1	1

ORDER BY PART NUMBER AND NAME

SERIAL NUMBER AND COLOR IF APPLICABLE

ILLUSTRATED PARTS CATALOG

BOLT AND WASHER CHART FOR WHEEL ALIGNMENT SHIM INSTALLATION					
SHIM	SPECIAL	UPPER FORWARD	LOWER FORWARD	UPPER AFT	LOWER AFT
No Shim	8073 to 9174	MAS144-5" Bolt	MAS144-5R Bolt	MAS144-5B Bolt	MAS144-5B Bolt
	9175 to 13599	MAS144-5B Bolt	MAS144-5B Bolt	MAS144-5B Bolt	MAS144-5B Bolt
	13600 & Up	ANS-22A Bolt ANS-516 & 51G Washers	ANS-22A Bolt ANS-516 & 51G Washers	ANS-22A Bolt ANS-516 & 51G Washers	ANS-22A Bolt ANS-516 & 51G Washers
One Degree Shim	8073 to 9174	MAS144-5B Bolt ANS-516 & 51G Washers	MAS144-40 Bolt ANS-516 & 51G Washers	MAS144-40 Bolt ANS-516 & 51G Washers	MAS144-40 Bolt ANS-516 & 51G Washers
	9175 to 13599	MAS144-5B Bolt ANS-516 & 51G Washers	MAS144-5B Bolt ANS-516 & 51G Washers	MAS144-5B Bolt ANS-516 & 51G Washers	MAS144-5B Bolt ANS-516 & 51G Washers
	13600 & Up	ANS-22A Bolt ANS-516 & 51G Washers	ANS-22A Bolt ANS-516 & 51G Washers	ANS-22A Bolt ANS-516 & 51G Washers	ANS-22A Bolt ANS-516 & 51G Washers
Two Degree Shim	8073 to 9174	MAS144-5B Bolt ANS-516 & 51G Washers	MAS144-40 Bolt ANS-516 & 51G Washers	MAS144-40 Bolt ANS-516 & 51G Washers	MAS144-40 Bolt ANS-516 & 51G Washers
	9175 to 13599	MAS144-5B Bolt ANS-516 & 51G Washers	MAS144-5B Bolt ANS-516 & 51G Washers	MAS144-5B Bolt ANS-516 & 51G Washers	MAS144-5B Bolt ANS-516 & 51G Washers
	13600 & Up	ANS-22A Bolt ANS-516 & 51G Washers	ANS-22A Bolt ANS-516 & 51G Washers	ANS-22A Bolt ANS-516 & 51G Washers	ANS-22A Bolt ANS-516 & 51G Washers
One & Two Degree Shim	8073 to 9174	MAS144-5B Bolt ANS-516 & 51G Washers	MAS144-41 Bolt ANS-516 & 51G Washers	MAS144-41 Bolt ANS-516 & 51G Washers	MAS144-41 Bolt ANS-516 & 51G Washers
	9175 to 13599	MAS144-5B Bolt ANS-516 & 51G Washers	MAS144-5B Bolt ANS-516 & 51G Washers	MAS144-5B Bolt ANS-516 & 51G Washers	MAS144-5B Bolt ANS-516 & 51G Washers
	13600 & Up	ANS-22A Bolt ANS-516 & 51G Washers	ANS-22A Bolt ANS-516 & 51G Washers	ANS-22A Bolt ANS-516 & 51G Washers	ANS-22A Bolt ANS-516 & 51G Washers

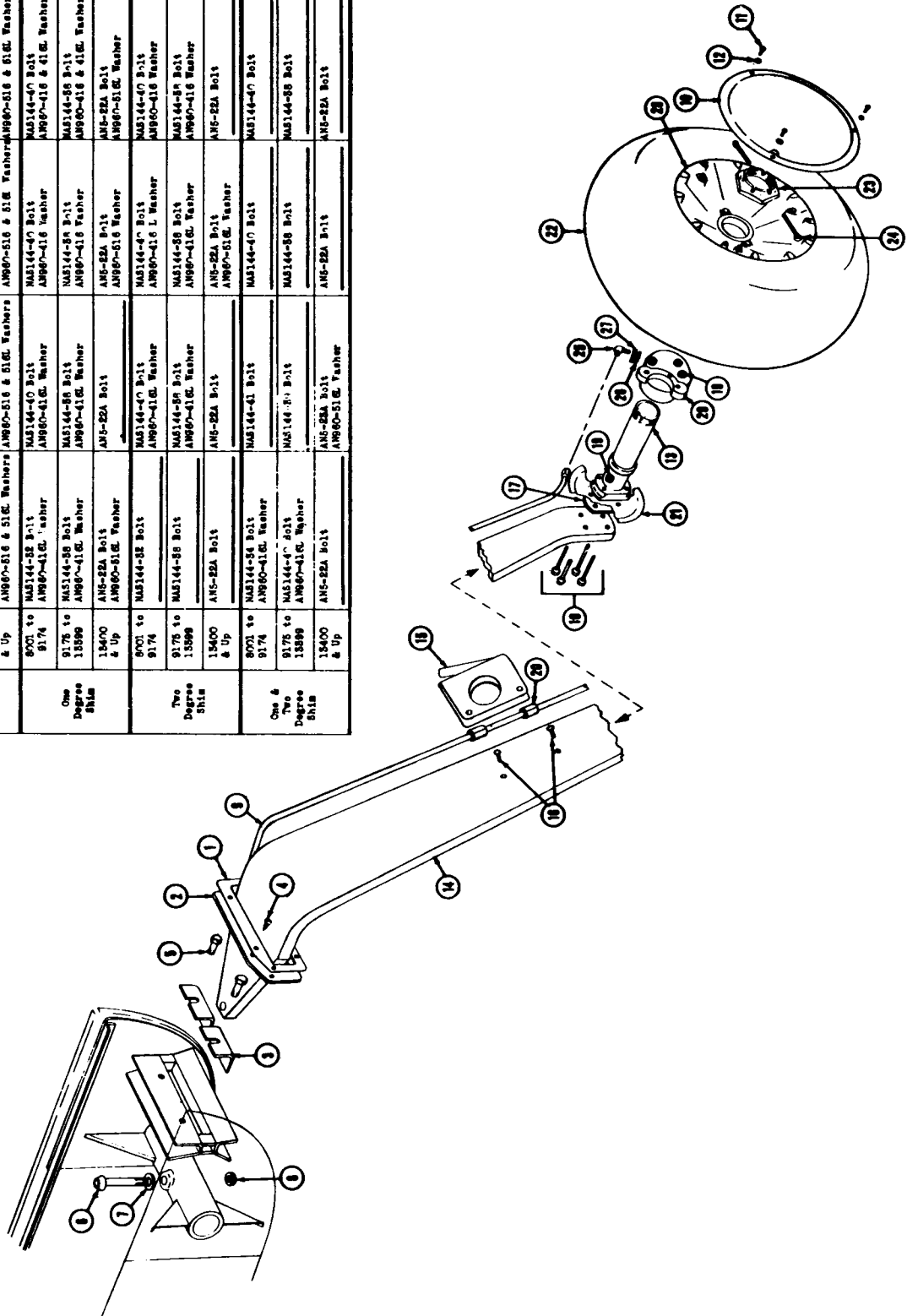


FIGURE 26-LANDING GEAR ASSEMBLIES

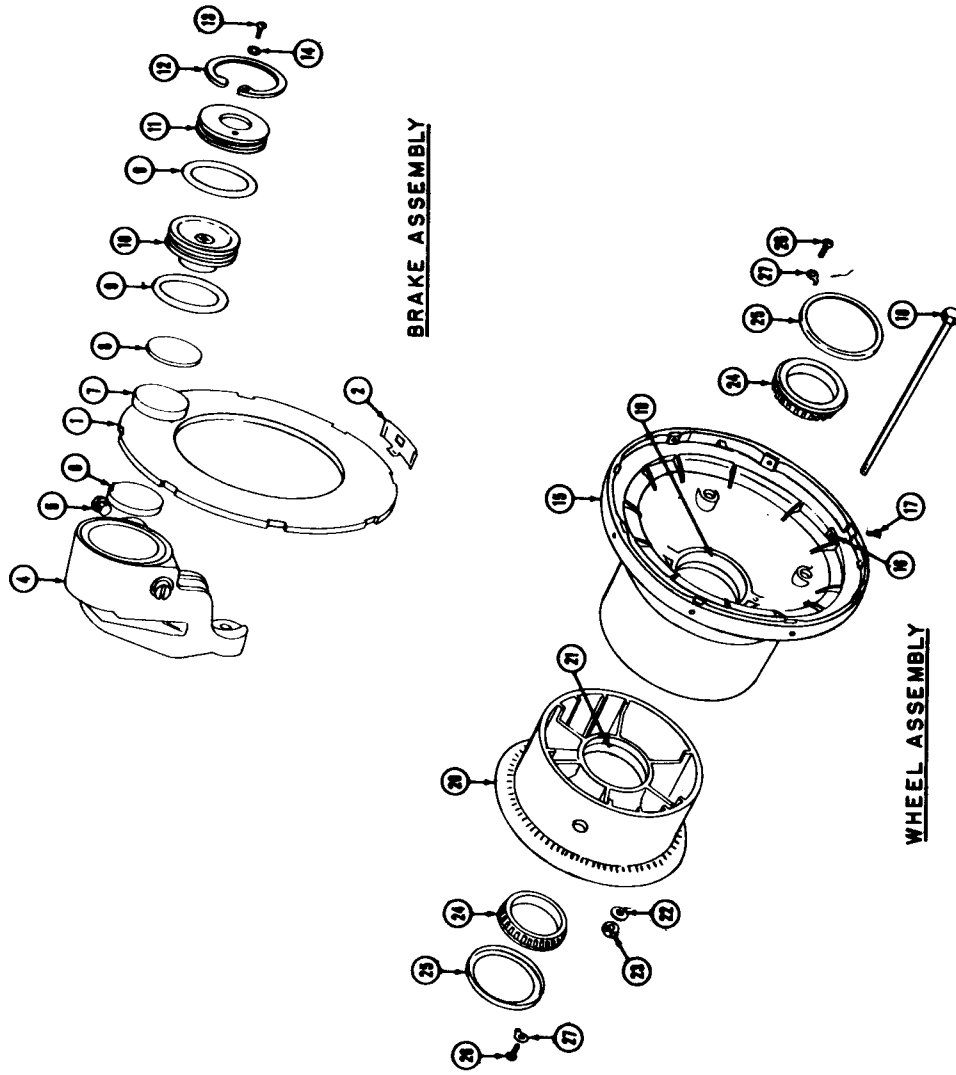


FIGURE 27-WHEEL AND BRAKE ASSEMBLY (SERIALS 8001-9174)

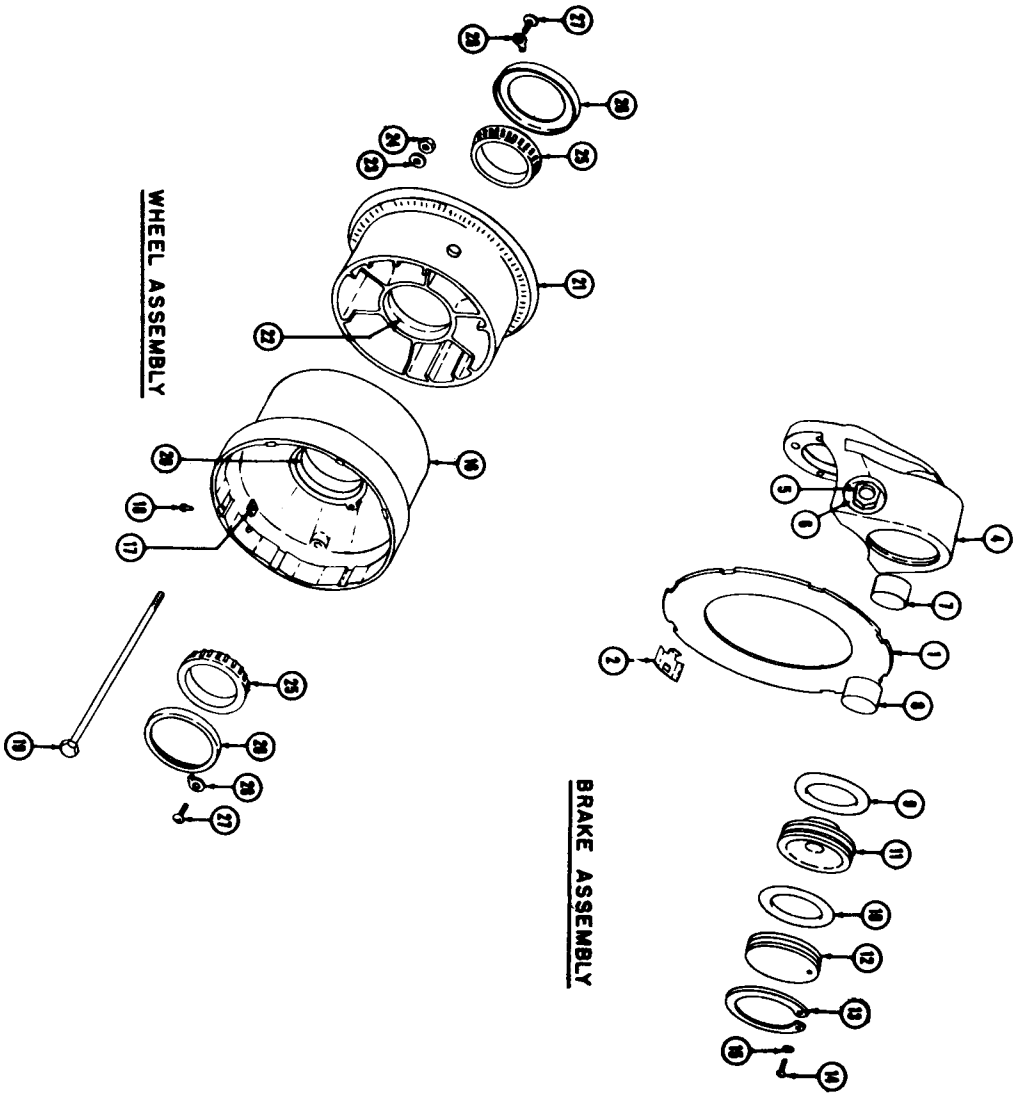


FIGURE 28- WHEEL AND BRAKE ASSEMBLY (SERIALS 9175 & UP)

FIGURE 28

WHEEL AND BRAKE ASSEMBLIES - SERIAL 9175 & UP

FIGURE AND REF. NO.	PART NUMBER	PART NAME	UNITS REQUIRED ON MODELS	
			120	140
26-29	9520517	Brake Assembly - Main Landing Gear - Single Disc - (Cessna Print 0441015) (Serial 9175 & Up)		
28-1	9530187	Disc - Rotating - Brake	1	1
28-2	9510197	Clip - Anti-Rattle	1	1
28-4	9530088	Housing - Brake Cylinder See Note*	4	4
28-5	9520448	Plug - Inlet	1	1
28-6	AN902-4	Washer - Inlet	1	1
28-7	95-4777	Lining - Brake Stationary	1	1
28-8	95-4777	Lining - Brake Piston Side	1	1
28-9	AN6227-29	Seal - Piston	1	1
28-10	AN6230-2	Seal - Cylinder Head	1	1
28-11	95-3536	Piston	1	1
28-12	95-3537	Cylinder Head	1	1
28-13	NA350-200	Lockring - Truarc	1	1
28-14	AN515-10R-5	Screw - Bleeder	1	1
28-15	95-4486	Washer - Bleeder Screw	1	1
26-28		Wheel Assembly - 6:00x6 - (Cessna Print 0441016) (Serial 9175 & Up)	1	1
28-16	95-3474	Wheel Sub Assembly - Inboard Half	1	1
28-17	9520101	Key - Disc Drive	8	8
28-18	9520657	Screw - Disc Drive Key	8	8
28-19	9520202	Bolt	3	3
28-20	95-0477	Cup - Inboard	1	1
28-21	95-2313	Wheel Sub Assembly - Outboard Half	1	1
28-22	95-0477	Cup - Outboard	1	1
28-23	AN960-416	Washer	3	3
28-24	AN365-428	Nut - Self Locking	3	3
28-25	95-0476	Core	2	2
28-26	95-1043	Ring - Bearing Retaining	2	2
28-27	95-2244	Screw	4	4
28-28	95-2243	Locking Terminals	4	4

FIGURE 29

TAIL WHEEL ASSEMBLY

29-	2000	Tail Wheel - Scott 3-24B - (Cessna Print 0442006) (Standard Equipment Model 120 & 140) (Serial 11843 & Up Model 120)	1	1
29-1	2077	Bracket Assembly - Tail Wheel	1	1
	2069	Bracket - Tail Wheel	1	1
29-2	1641	Fitting - Grease - (Alemite)	1	1
29-3	1781	Cap - Bushing	1	1
29-4	1800	Bushing - Bracket - (Bronze)	1	1
29-5	2078	Fork - Single Arm Machined	1	1
29-6	1709	Arm And Cam Assembly - Tail Wheel	1	1
	1641	Fitting - Grease - (Alemite)	1	1
	AC364-720	Nut - Self Locking	1	1
29-7	1840	Wheel Assembly - Scott - Cast - (With Tire And Bearings)	1	1
	1879	Tire - General - Tail Wheel - (6x2 With Wire Bead)	1	1
	1856	Wheel Assembly - Scott - Cast - (Less Tire)	1	1
29-8	1967	Hub - Kit	1	1
29-10	1883	Bearings - 1/2" Roller - Wheel Assembly	2	2
29-11	1862	Spacer - Hub Bearing Grease Retainer	1	1
29-12	1863	Retainer - Hub Bearing Grease	1	1
29-13	AN501-1032	Screw - Fillister Head	3	3
29-14	AN365-1032	Nut - Self Locking	3	3
29-15	1882	Hub Cap Assembly - (Includes 3 Screws and Felt Grease Seal)	1	1
29-16	AN320-8	Nut - Shear	1	1
29-17	AN960-816	Washer - Plain	1	1
29-18	AN380-3-3	Pin - Cotter	1	1
29-19	AN364-720	Nut - Self Locking	1	1
29-20	AN7-10A	Bolt - Aircraft	1	1
29-21	AN365-720	Nut - Self Locking	1	1
29-22	2151	Connector - Tail Wheel	2	2
	040001-3	Tail Wheel Assembly - Complete - (Includes Assembled Tail Wheel Spring Leaves And 0412139 Mount Bracket As Illustrated In Figure 23, Plus #2151 Tail Wheel Connector)	1	1
	040001-4	Tail Wheel Assembly - Complete - (Includes Tail Wheel Spring Leaves Shown In Figure 23, Plus #2151 Tail Wheel Connector, But Without 0412139 Mount Bracket)	1	1
		*Note Order Part Number Listed Below For Serial 13400 & Up		
	0441137-2	Housing Brake Cylinder	1	1

ORDER BY PART NUMBER AND NAME

SERIAL NUMBER AND COLOR IF APPLICABLE

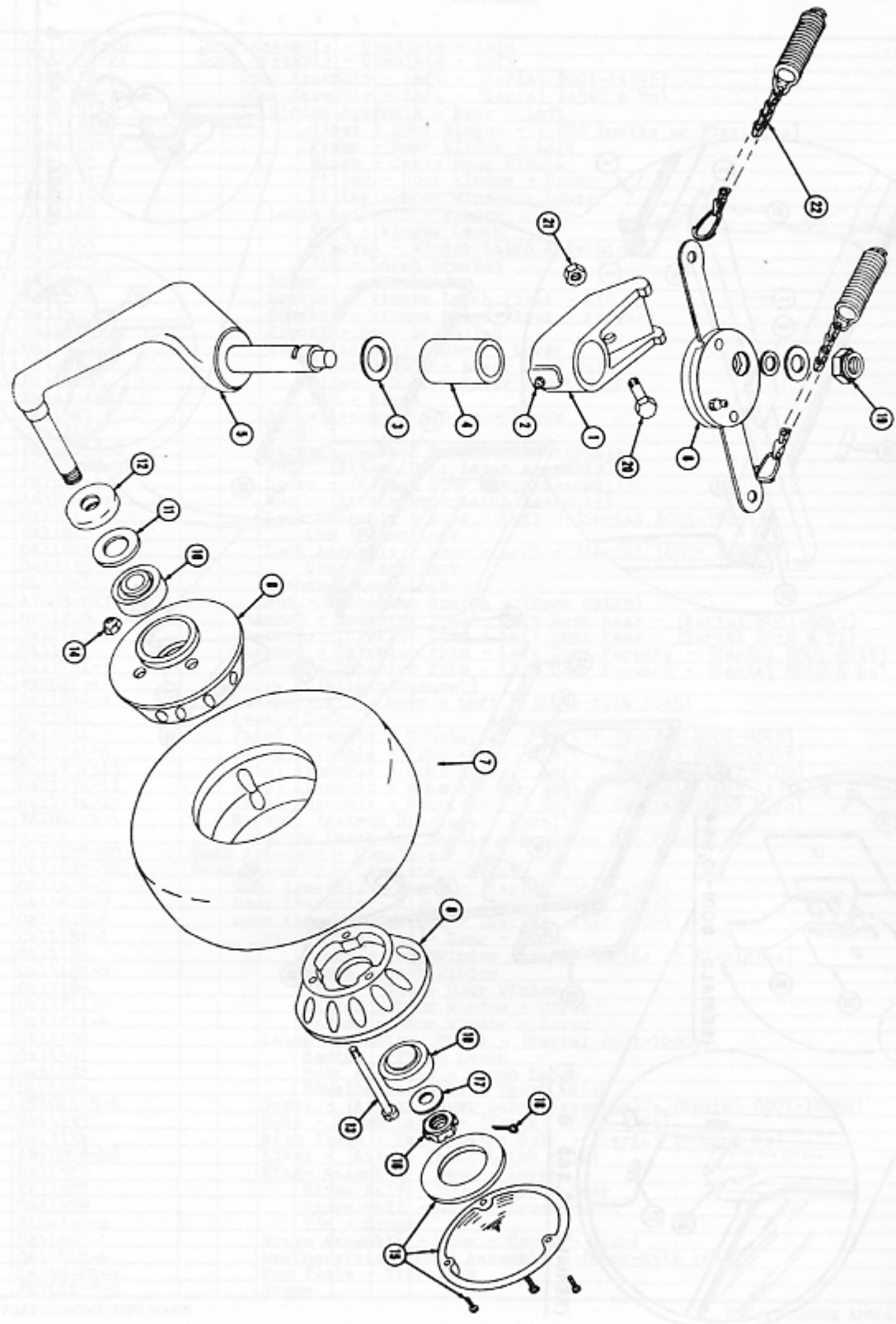


FIGURE 29 TAIL WHEEL ASSEMBLY

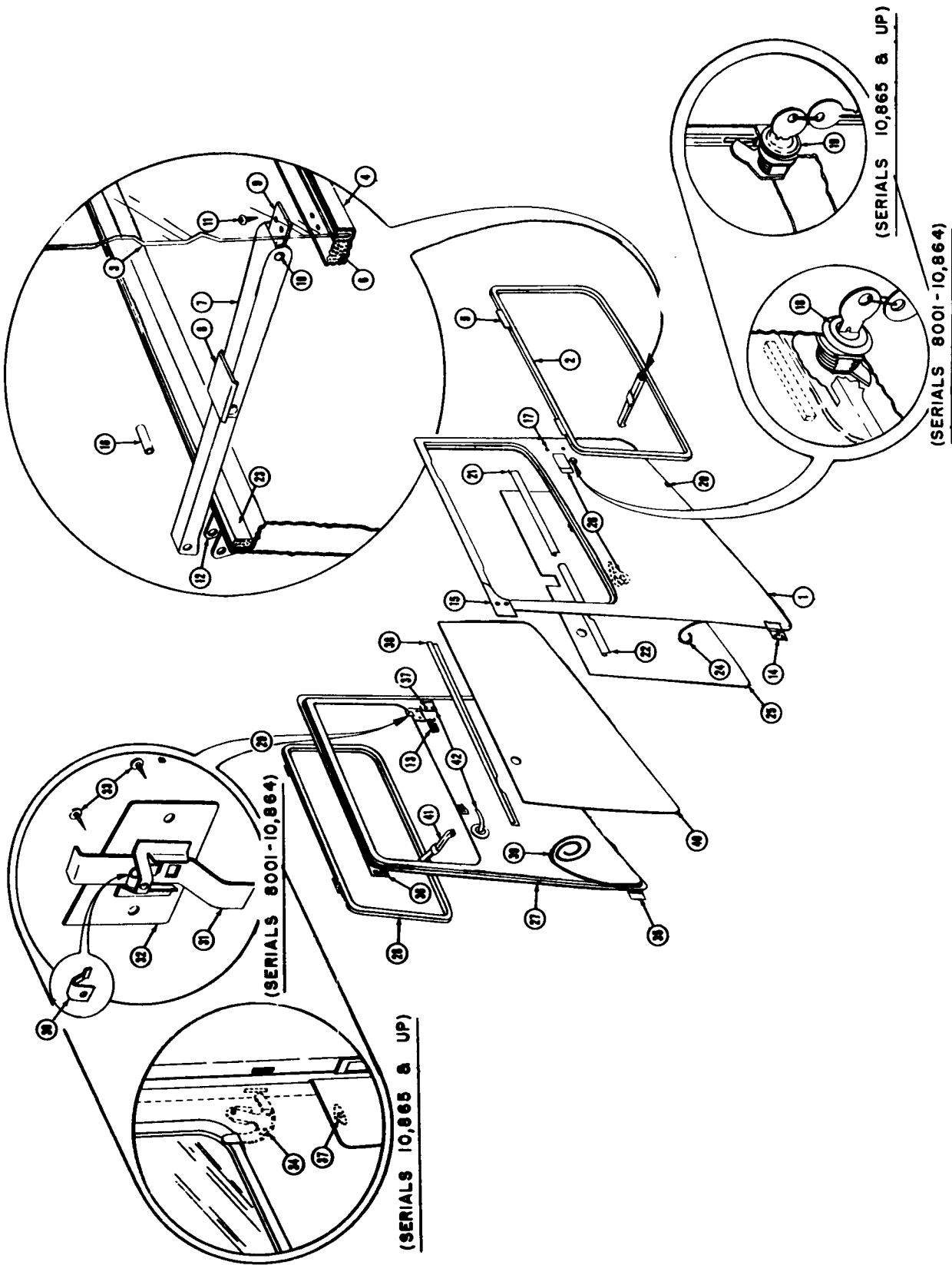


FIGURE 30 - FUSELAGE DOOR ASSEMBLIES

FIGURE 30

FUSELAGE DOOR ASSEMBLIES

FIGURE AND REF. NO.	PART NUMBER	PART NAME	UNITS REQUIRED ON MODELS	
			120	140
30-	0411639-19	Door Assembly - Complete - Left		1
30-	0411639-21	Door Assembly - Complete - Left	1	1
30-1	0411178-5	Door Assembly - Left - (Serial 8001-14346)	1	1
30-1	0411178-7	Door Assembly - Left - (Serial 14347 & Up)	1	1
30-2	0411181-3	Window Assembly - Door - Left	1	1
30-3	0411182	Glass - Door Window - (.060 Lucite or Plexiglas)	1	1
30-4	0411184-3	Frame - Door Window - Left	1	1
30-5	0411185	Hinge - Cabin Door Window	2	2
30-6	0411711-3	Filler - Door Window - Upper	1	1
	0411711-4	Filler - Door Window - Lower	1	1
30-7	0411186	Latch Assembly - Window	1	1
30-8	0413169	Knob - Window Latch	1	1
30-9	0411360	Bracket - Window Latch Attaching	1	1
30-10	0452120	Pin - Latch Bracket	1	1
30-11	AN530-6R4	Screw	2	2
30-12	0411595	Bracket - Window Latch Pivot - Aft	1	1
	0411595-1	Bracket - Window Latch Pivot - Forward	1	1
30-13	0411886	Spacer - Door Latch Pan	2	2
30-14	0411579	Hinge Assembly - Door - Lower	1	1
	0411577	Hinge - Door - Lower Rear Half	1	1
	0411578	Hinge - Door - Lower Front Half	1	1
	NAS41-2-2	Pin - Hinge	1	1
30-15	0411597	Hinge Assembly - Door - Upper	1	1
30-16	0413148	Rivet	1	1
30-17	PK76XZ-8-6	Screw - (Attach Door Latch Assembly)	3	3
	A6195-8Z-3	Nut - (Attach Door Latch Assembly)	3	3
	PK76XZ-4-6	Screw - (Attach Door Latch Assembly)	2	2
	A6195-4Z-3	Nut - (Attach Door Latch Assembly)	2	2
30-18	0411821	Lock Assembly - Door - Left - (Serial 8001-10864)	1	1
	0411819	Cam - Door Lock	1	1
30-19	0411821	Lock Assembly - Door - Left - (Serial 10865 & Up)	1	1
	0413135	Cam - Door Lock	1	1
	0411851	Washer - Door Lock	1	1
30-20	A1663-017-1	Nut - Tinnerman Spring - (Door Catch)	1	1
30-21	0411729	Channel - Interior Trim - Left Door Rear - (Serial 8001-8049)	1	1
30-21	0411729-3	Channel - Interior Trim - Left Door Rear - (Serial 8050 & Up)	1	1
30-22	0411731	Channel - Interior Trim - Left Door Forward - (Serial 8001-8049)	1	1
30-22	0411731-3	Channel - Interior Trim - Left Door Forward - (Serial 8050 & Up)	1	1
	PK76XZ-4-4	Screw - (Attach Channel)	1	5
30-23	0411639-3	Weatherstrip - Door - Left - (Shur-Stik 4635)	1	1
30-24	0411815	Seal - Door	1	1
30-25	0411734	Panel Assembly - Upholstery - Left - (Serial 8001-8049)	1	1
30-25	0411734-6	Panel Assembly - Upholstery - Left - (Serial 8050-14346)	1	1
30-25	0411734-13	Panel Assembly - Upholstery - Left - (Serial 14347 & Up)	1	1
30-25	0411734-11	Panel Assembly - Upholstery - Left - (Serial 11843-14346)	1	1
30-25	0411734-15	Panel Assembly - Upholstery - Left - (Serial 14347 & Up)	1	1
	PK76XZ-4-4	Screw - (Attach Upholstery Panel)	8	8
30-26	- - -	For Door Latch And Handle Assemblies See Figure 31		
30-	0411637-20	Door Assembly - Complete - Right		1
30-	0411637-19	Door Assembly - Complete - Right	1	1
30-27	0411610-3	Door Assembly - Right - (Serial 8001-14346)	1	1
30-27	0411610-7	Door Assembly - Right - (Serial 14347 & Up)	1	1
30-27	0411610-8	Door Assembly - Right - (Serial 14347 & Up)	1	1
30-28	0411181-1	Window Assembly - Door - Right	1	1
	0411182	Glass - Door Window - (.060 Lucite or Plexiglas)	1	1
	0411184-3	Frame - Door Window	1	1
	0411185	Hinge - Cabin Door Window	2	2
	0411711-3	Filler - Door Window - Upper	1	1
	0411711-4	Filler - Door Window - Lower	1	1
30-29	0411590	Latch Assembly - Thumb - (Serial 8001-10864)	1	1
30-30	0411591	Spring - Thumb Latch	1	1
30-31	0411592	Bolt Assembly - Thumb Latch	1	1
30-32	0411665	Housing Assembly - Thumb Latch	1	1
30-33	PK76XZ-8-6	Screw - (Attach Thumb Latch Assembly) - (Serial 8001-10864)	2	2
30-34	0413133	Bolt - Thumb Latch - (Serial 10865 & Up)	1	1
	0413134	Stop Plate - Thumb Latch Bolt - (Serial 10865 & Up)	1	1
	AN450C8-B8	Rivet - (Attach Thumb Latch Bolt)	1	1
30-35	0411579	Hinge Assembly - Door - Lower	1	1
	0411577	Hinge Half - Door - Lower Rear	1	1
	0411578	Hinge Half - Door - Lower Front	1	1
	NAS41-2-2	Pin - Hinge	1	1
0-36	0411597-1	Hinge Assembly - Door - Upper - Right	1	1
	0411610-4	Weatherstrip - Door Assembly - (Shur-Stik 4635)	1	1
30-37	A6195-8Z-3	Nut Plate - Tinnerman	2	2
	PK76XZ-8-6	Screw	4	4

ORDER BY PART NUMBER AND NAME

SERIAL NUMBER AND COLOR IF APPLICABLE

FIGURE 30

FUSELAGE DOOR ASSEMBLIES

FIGURE AND REF. NO.	PART NUMBER	PART NAME						UNITS REQUIRED ON MODELS	
		1	2	3	4	5	6	120	140
	PK76XZ-8-7						Screw - (Window Attachment)	2	2
	PK76XZ-4-6						Screw	2	2
	A1663-017-1						Nut - Tinnerman Spring - (Door Catch)	1	1
30-38	0411730						Channel - Interior Trim - Door - Right - (Serial 8001-14364 Model 140 - Serial 11843 & Up Model 120)	1	1
	0411729-5						Channel - Front Interior Trim - Door - Right - (Serial 14365 & Up)	1	1
	0411731-5						Channel - Rear Interior Trim - Door - Right - (Serial 14365 & Up)	1	1
	PK76XZ-4-4						Screw	5	5
30-39	0411815						Seal - Door	1	1
30-40	0411734-10						Panel Assembly - Upholstery - Right - (Serial 11843-14364)	1	1
30-40	0411734-14						Panel Assembly - Upholstery - Right - (Serial 14365 & Up)	1	1
30-40	0411734-1						Panel Assembly - Upholstery - Right - (State Color) (Serial 8001-14364)		1
30-40	0411734-19						Panel Assembly - Upholstery - Right - (State Color) (Serial 14365 & Up)		1
	PK76XZ-4-4						Screw	8	8
30-41	0411186						Latch Assembly - Window - (Serial 14365 & Up)		1
30-42	- - -						For Door Latch And Handle Assemblies See Figure 31		

FIGURE 31

DOOR LATCH AND HANDLE

31-1	0411551-3						Latch Assembly - Door - Left - (Serial 8001-10864)	1	1
	0411551-4						Latch Assembly - Door - Left - (Serial 10865-14346)	1	1
	0413311						Latch Assembly - Door - Left - (Serial 14347 & Up)	1	1
31-2	0411552						Catch - Door Latch	1	1
31-3	0411554						Spring - Door Latch	1	1
31-4	0411555						Pull Bar - Door Latch	1	1
31-5	0411557						Handle - Door Latch	1	1
31-6	0411559						Spacer - Door Latch	1	1
31-7	0411575						Strap - Door Latch Actuating	1	1
31-8	0411581-3						Housing Assembly - Door Latch - Left - (Serial 8001-10864)	1	1
31-8	0411581-4						Housing Assembly - Door Latch - Left - (Serial 10865-14346)	1	1
31-8	0413310						Housing Assembly - Door Latch - Left - (Serial 14347 & Up)	1	1
31-9	AN380-2-2						Pin - Cotter	2	2
31-10	AN392-53						Pin	2	2
31-11	NAS41-2-.500						Shaft	1	1
31-12	NAS41-3-1.125						Shaft	1	1
31-13	NAS42C-4-2						Spacer	2	2
31-1	0411551						Latch Assembly - Door - Right - (Serial 8001-14346)	1	1
	0413311-1						Latch Assembly - Door - Right - (Serial 14347 & Up)	1	1
31-2	0411552						Catch - Door Latch	1	1
31-3	0411554						Spring - Door Latch	1	1
31-4	0411555						Pull Bar - Door Latch	1	1
31-5	0411557						Handle - Door Latch	1	1
31-6	0411559						Spacer - Door Latch	1	1
31-7	0411575						Strap - Door Latch Actuating	1	1
31-8	0411581						Housing Assembly - Door Latch - Right - (Serial 8001-14346)	1	1
31-8	0413310-1						Housing Assembly - Door Latch - Right - (Serial 14347 & Up)	1	1
31-9	AN380-2-2						Pin - Cotter	2	2
31-10	AN392-53						Pin	2	2
31-11	NAS41-2-.500						Shaft	1	1
31-12	NAS41-3-1.125						Shaft	1	1
31-13	NAS42C-4-2						Spacer	2	2
31-14	0411543						Handle Assembly - Door Inside - Left - (Serial 8001-14346)	1	1
31-15	0411537						Handle - Door Inside	1	1
31-16	0411538						Shaft - Door Handle	1	1
31-17	0411540						Plate Assembly - Bearing	1	1
31-18	0411541						Pin - Door Handle	1	1
31-19	0411542						Arm - Door Handle	1	1
31-20	0411615						Stop - Door Handle	1	1
31-21	AN442AD3-9						Rivet	1	1
31-22	AN392-9						Pin - Flat Head	2	2
31-23	AN380-2-1						Pin - Cotter	2	2
31-24	PK76XZ-8-8						Screw	6	6
31-25	A1274-8Z-3						Nut	6	6
31-14	0411543-1						Handle Assembly - Door Inside - Right - (Serial 8001-14346) (Identical To 0411543 Left Handle Except Handle Rotated 90° On Shaft)	1	1
- - - -							Items 26 Thru 35 Handle Installation - Door Inside - Left & Right (Serial 14347 & Up)		
31-26	0413197						Esdutcheon - Door Handle - Inside	1	1
31-27	0413198						Handle - Door - Inside	1	1
31-28	0413317						Spring - Door Handle - Inside	1	1

ORDER BY PART NUMBER AND NAME

SERIAL NUMBER AND COLOR IF APPLICABLE

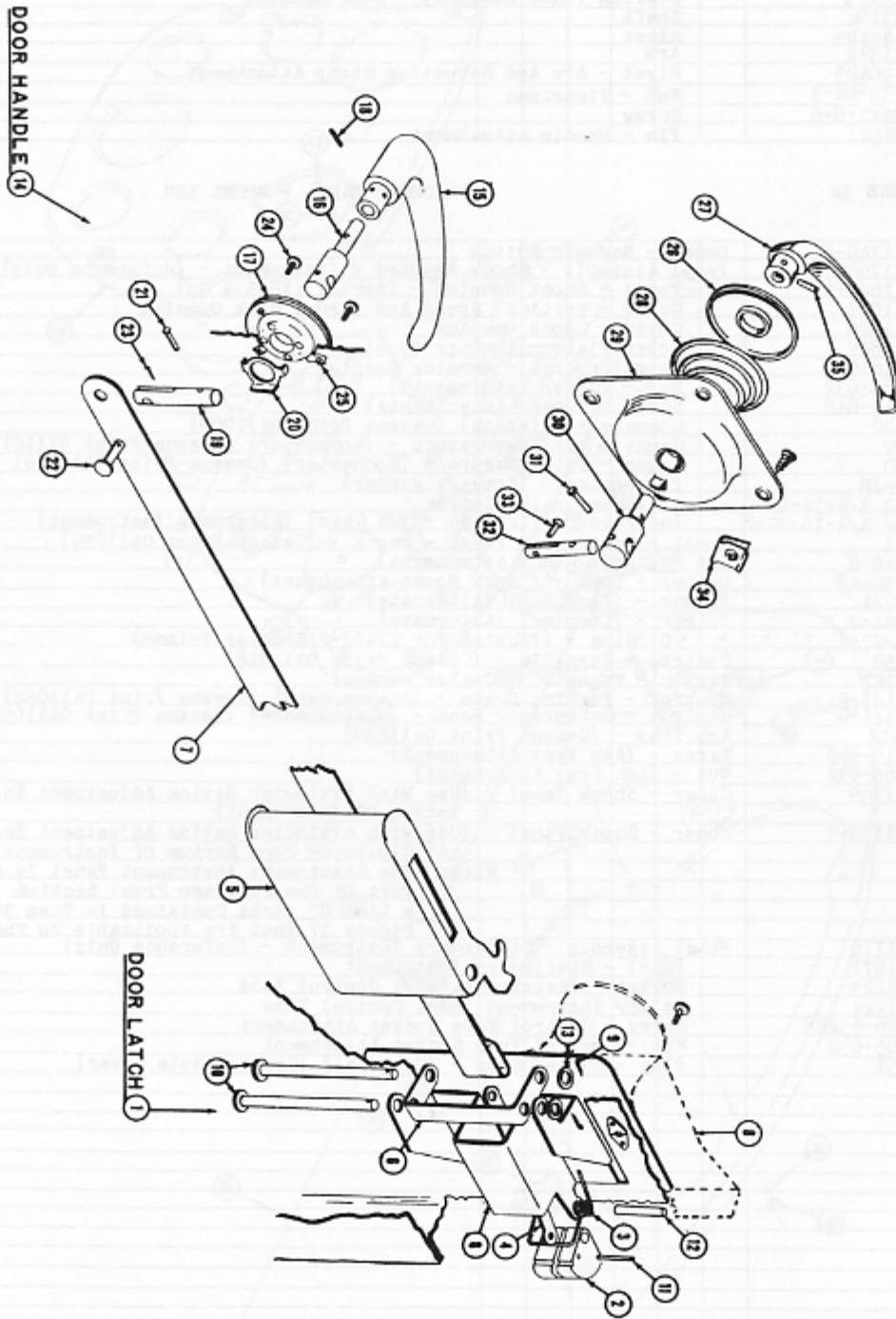


FIGURE 31 - DOOR LATCH AND HANDLE

FIGURE 31

DOOR LATCH AND HANDLE

FIGURE AND REF. NO.	PART NUMBER	PART NAME						UNITS REQUIRED ON MODELS	
		1	2	3	4	5	6	120	140
31-29	0413195			Bearing	Plate	Assembly	- Door Handle	1	1
31-30	0413192			Shaft				1	1
31-31	AN442AD5			Rivet				1	1
31-32	0411542			Arm				1	1
31-33	AN426AD3			Rivet	- Arm And Actuating Strap Attachment			1	1
31-34	A1932-6Z-3			Nut	- Tinnerman			4	4
	PK79XZ-6-6			Screw				4	4
31-35	0411541			Pin	- Handle Attachment			1	1

FIGURE 32

INSTRUMENT PANEL - MODEL 120

32-1	0411749-4			Detail	- Magneto Switch			1		
	0411765			Panel Assembly	- Shock Mounted - Instrument - (Reference Only)					
32-2	0411624-3			Panel	- Shock Mounted - (Serial 11843 & Up)			1		
32-3	0411807			Cover	- Vertical Speed And Turn & Bank Opening			2		
32-4	0411808			Cover	- Clock Opening			1		
32-5	0411809			Cover Plate	- Ammeter Opening			1		
	0411810			Cover Bracket	- Ammeter Opening			1		
	AN365-632			Nut	- (Cover Attachments)			11		
	AN515-6R8			Screw	- (Cover Attachments)			11		
32-6	C2100			Compass	- (Airpath) (Cessna Print 0411008)			1		
32-7	2100			Gauge	- Oil Temperature - (Rochester) (Cessna Print 0411017)			1		
32-8	2550			Gauge	- Oil Pressure - (Rochester) (Cessna Print 0411016)			1		
32-9	557-JM			Tachometer	- (Stevart Warner)			1		
32-10	AW-2 3/4-32-L			Altimeter	- (US Gage)			1		
32-11	AW-2 3/4-16-BC-8			Indicator	- Airspeed - (US Gage) (Alternate Instrument)			1		
32-12	A301			Mount	- Instrument Panel - Shock - (Cessna Print 0411059)			4		
32-13	AN340-8			Nut	- (Shock Mount Attachment)			8		
32-14	AN936-A8			Washer	- Lock - (Shock Mount Attachment)			8		
32-15	39222A			Primer	- (Imperial) (Alternate)			1		
32-15	K240-2			Primer	- (Koehler) (Alternate)			1		
	AN6227-7			O	Ring - (Packing For K2402-2 Koehler Primer)			2		
32-16	3A659			Control	- Throttle - (Cessna Print 0411018)			1		
32-17	8801K7			Switch	- Magneto - (Cutler Hammer)			2		
32-18	840121-A			Control	- Parking Brake - (Shakespeare) (Cessna Print 0411052)			1		
32-19	840121-C			Control	- Carburetor Heat - (Shakespeare) (Cessna Print 0411052)			1		
32-20	K5509			Ash Tray	- (Cessna Print 0411030)			1		
32-21	AN515-6R6			Screw	- (Ash Tray Attachment)			2		
32-22	AN365-632			Nut	- (Ash Tray Attachment)			2		
32-23	0411159			Cover	- Shock Panel - (Use With Altimeter Having Adjustment Knob At Bottom Of Instrument)			1		
32-23	0411159-5			Cover	- Shock Panel - (Use With Altimeter Having Adjustment Knob Rotated 45° Clockwise From Bottom Of Instrument)			1		
				Note: The Stationary Instrument Panel Is Actually a Part Of The Fuselage Front Section - This is a List Of Parts Contained In Item 39 of Figure 17 That Are Applicable To The 120						
	0411776			Panel Assembly	- Stationary Instrument - (Reference Only)					
32-24	0411871			Panel	- Stationary Instrument			1		
32-25	0411225			Socket	- Instrument Panel Control Tube			4		
32-26	0411224			Ball	- Instrument Panel Control Tube			2		
	AN526-632R8			Screw	- Control Tube Socket Attachment			6		
	AN365-632			Nut	- Control Tube Socket Attachment			6		
32-27	51051			Plug	- Unfiled Carr - (Optional) (Control Hole Cover)			3		

ORDER BY PART NUMBER AND NAME

SERIAL NUMBER AND COLOR IF APPLICABLE

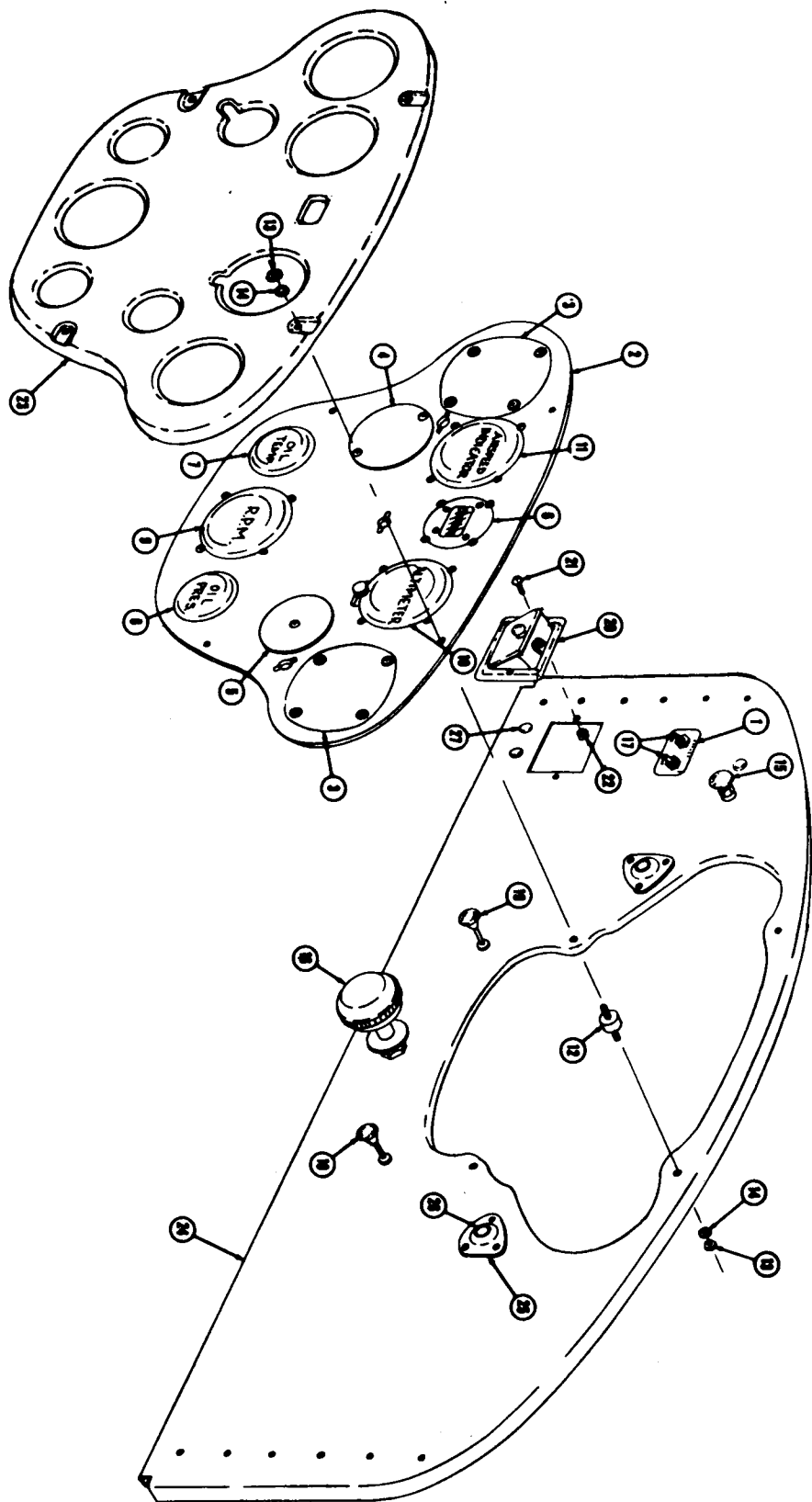


FIGURE 32 INSTRUMENT PANEL EQUIPMENT (120)

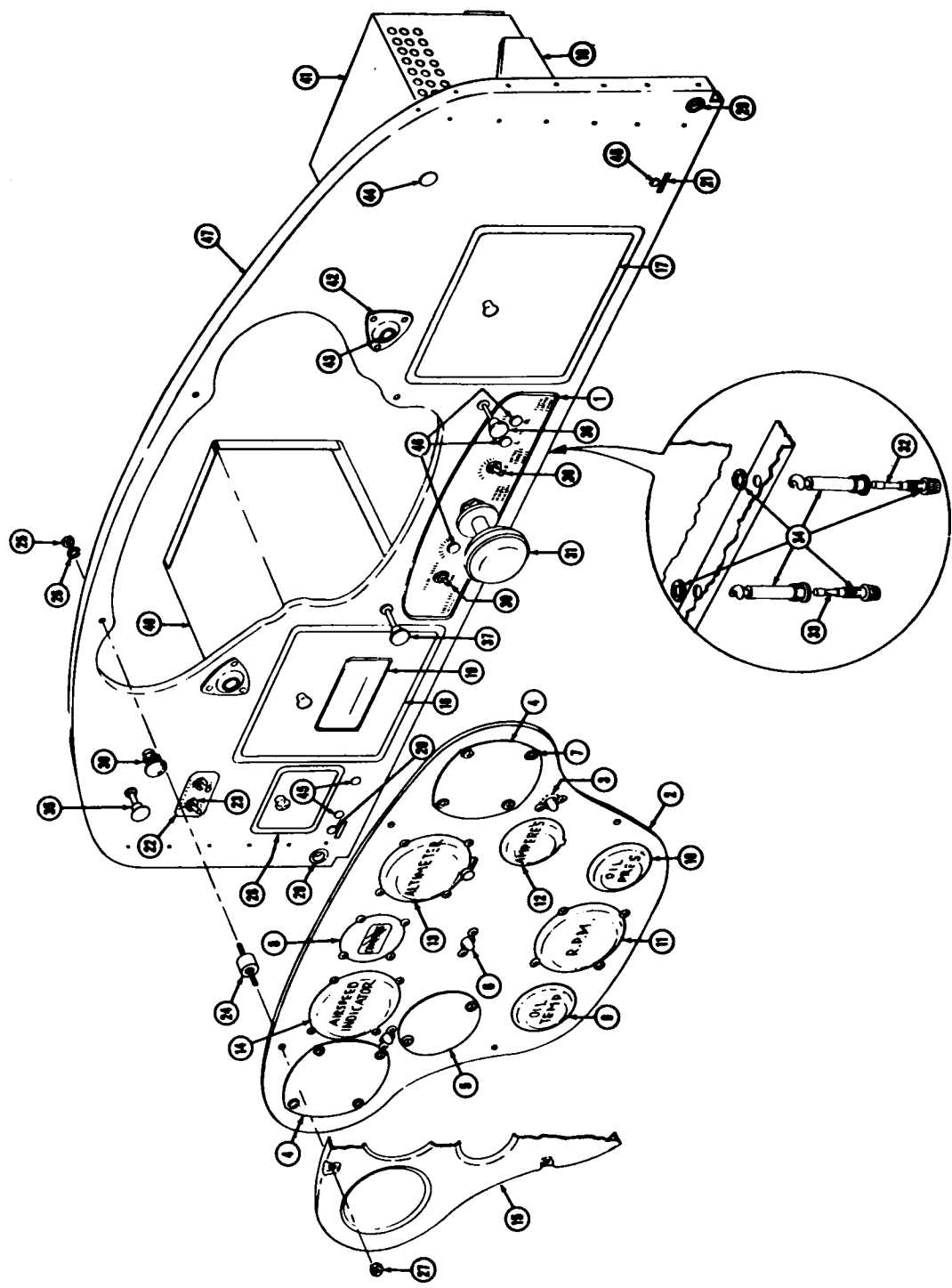


FIGURE 33 - INSTRUMENT PANEL EQUIPMENT - 1946 MODEL 140

ILLUSTRATED PARTS CATALOG

FIGURE 33

INSTRUMENT PANEL - 1946 MODEL 140

FIGURE AND REF. NO.	PART NUMBER	PART NAME	UNITS REQUIRED ON MODELS	
			120	140
33-1	0411071	Decal - Switches and Fuses		1
33-	0411158	Panel Assembly - Shock Mounted Instrument - (Reference Only)		
33-2	0411624	Panel - Instrument Shock		1
33-3	0411691	Spacer - Instrument Panel Light Assembly		6
33-4	0411807	Cover - Vertical Speed and Turn & Bank Opening		2
33-5	0411808	Cover - Clock Opening		1
33-6	A1718	Instrument Light Assembly - (Grimes)		3
	T3 1/4-3CP	Bulb - Red		1
33-7	AN365-632	Nut		10
	AN515-6R-8	Screw		16
33-8	C2100	Compass - (Airpath) (Cessna Print 0411008)		1
33-9	2100	Gauge - Oil Temperature - (Rochester) (Cessna Print 0411017)		1
33-10	2550	Gauge - Oil Pressure - (Rochester) (Cessna Print 0411016)		1
33-11	557-JM	Tachometer - (Stewart Warner) (Cessna Print 0411015)		1
	4-36	Tachometer - (Waltham) (Alternate)		1
33-12	7517	Ammeter - (King Seeley) (Cessna Print 0411020)		1
	95245	Ammeter - (Stewart Warner) (Alternate for 7517 King Seeley)		1
33-13	986-02	Altimeter - (Kollsman Cadet) (Cessna Print 0411007)		1
	15A03	Altimeter - (Pioneer) (Alternate)		1
	AW-2 3/4-32-L	Altimeter - (U.S. Gage) (Alternate)		1
33-14	988-04	Indicator - Airspeed - (Kollsman) (Cessna Print 0411006)		1
	14A01	Indicator - Airspeed - (Pioneer) (Alternate)		1
	AW-2 3/4-16-BC-8	Indicator - Airspeed - (U.S. Gage) (Alternate)		1
33-15	0411159	Cover - Shock Mounted Instrument Panel - Color: Santone Beige, Silver Green, Hollywood Tan, or Streamline Grey (Serial 8001-10184) (Fits Shock Panel Having Altimeter Knob at Center Bottom of Instrument)		1
	0411159-5	Cover - Shock Mounted Instrument Panel - Color: Santone Beige, Silver Green, Hollywood Tan, or Streamline Grey (Serial 10185 & Up) (Fits Shock Panel Having Altimeter Knob Rotated 45° Clockwise from Center Bottom of Instrument)		1
33-16	0411742	Door Assembly - Glove Compartment - Left - Color: Brown, Green, Tan or Grey		1
	0411099	Retainer - Glove Compartment Spare Fuse		1
	1123	Plastic Knob - Door Assembly - Glove Compartment		1
33-17	0411774	Door Assembly - Glove Compartment - Right - Color: Brown, Green, Tan or Grey		1
	PK77XZ-8-8	Screw		4
	0411748	Bracket Assembly - Radio Mounting - Left		1
	A6196-8Z-1	Nut		2
33-18	0411748-1	Bracket Assembly - Radio Mounting - Right		1
	A6196-8Z-1	Nut		2
33-19	0411749-1	Decal - Glove Compartment - Door Placard		1
33-20	SCA-2B	Jack - Microphone - (Mallory) (Cessna Print 0411065)		1
	0411749-2	Decal - Radio Phone Jack - (Microphone)		1
33-21	0411749-3	Decal - Radio Phone Jack - (Head Phones)		1
33-22	0411749-4	Decal - Magneto Switch		1
33-23	0411769	Switch Box Assembly - Magneto		1
	0411767	Switch Box Cover - Magneto		1
	0411768	Switch Box - Magneto		1
	AN931-3-5	Grommet		1
	5928A1	Clip - Tinnerman		2
	5928A2	Clip - Tinnerman		2
	8501K7	Switch - Magneto - (Cutler Hammer)		2
33-24	A301	Mount - Instrument Panel Shock - (U.S. Rubber) (Cessna Print 0411059)		4
33-25	AN340-B8	Nut		8
	AN365-632	Nut		2
33-26	AN936-AR	Lockwasher		4
33-27	22NKM-8-2	Nut		4
33-28	K5509	Ash Receiver - Color: Brown, Green, Tan, or Grey		1
	AN515-6R-6	Screw		2
33-29	AN931-6-10	Grommet		2
33-30	1484	Primer - Lunkenheimer - (Serial 8001-8065)		1
33-30	1664	Primer - Lunkenheimer - (Serial 8066 & Up) (Cessna Print 0411070)		1
	39222A	Primer - Imperial - (Alternate)		1
	K2402-2	Primer - Koehler - (Alternate)		1
	AN6227-7	O Ring - (Packing for K2402-2 Koehler Primer)		2
33-31	3A659	Control - Throttle - (Shakespeare) (Cessna Print 0411018)		1
33-32	4AG-1095	Fuse - 10 Amp. - (Littlefuse)		1
33-33	4AG-1096	Fuse - 15 Amp. - (Littlefuse)		1
33-34	4AG-442001	Retainer - Fuse - (Littlefuse)		5
33-35	0413180	Control Assembly - Starter		1
	840420-787	Control - Starter - (Shakespeare) (Cessna Print 0411052)		1
	0413015	Housing - Starter Button Enlarger		1

ORDER BY PART NUMBER AND NAME

SERIAL NUMBER AND COLOR IF APPLICABLE

FIGURE 33

INSTRUMENT PANEL - 1946 MODEL 140

FIGURE AND REF. NO.	PART NUMBER	PART NAME	UNITS REQUIRED ON MODELS	
			120	140
33-36	840121-A	Control - Parking Brake - (Shakespeare) (Cessna Print 0411052)		1
33-37	840121-C	Control - Carburetor Heat - (Shakespeare) (Cessna Print 0411052)		1
33-38	8801K7	Switch - Navigation Light - (Cutler Hammer)		1
33-39	8822K5	Switch - Master - (Cutler Hammer)		1
33-40	0411745	Box Assembly - Glove Compartment		1
33-41	0411054-2	Radio Case		1
	AN936-A6	Washer - Lock - (Instrument Attachment)		32
		Note: The Stationary Instrument Panel is Actually a Part of the Fuselage Front Section - This is a List of Parts Contained in Item 39 of Figure 17 That are applicable to the 1946 140		
	0411157	Panel Assembly - Stationary Instrument - (Reference Only)		
33-42	0411225	Socket - Control Tube - Instrument Panel Guide		4
33-43	0411224	Ball - Control Tube - Instrument Panel Guide		2
	AN526-632R8	Screw - Control Tube Socket Attachment		6
	AN365-632	Nut - Control Tube Socket Attachment		6
33-44	48155	Plug - United Carr		1
33-45	48192	Plug - United Carr		3
33-46	51051	Plug - United Carr		3
33-47	0411872	Panel - Stationary Instrument		1

FIGURE 34

INSTRUMENT PANEL - 1947 & 1948 MODEL 140

	0413116	Equipment Installation - Instrument Panel - 1947 Model (Reference Only)		
	0413116-3	Equipment Installation - Instrument Panel - 1948 Model (Reference Only)		
34-	0412497	Panel Assembly - Shock Mounted Instrument - 1947 Model (Reference Only)		1
34-	0412497-3	Panel Assembly - Shock Mounted Instrument - 1948 Model (Reference Only)		1
34-1	0412484	Panel - Shock Mounted Instrument		1
34-2	0411986	Bracket - Shock Panel Cover Attachment		2
	AG052-6Z-3	Nut - Tinnerman - (Attach Shock Panel Cover)		2
34-3	0411897	Cover - Vertical Speed and Turn & Bank Opening		2
34-4	AW-2 3/4-16BC-8	Indicator - Airspeed - (U.S. Gage) (Special Dial)		1
34-5	557-JX	Tachometer - (Stewart Warner) (Special Dial) (Cessna Print 0411087 for 1947 Model - 0411087-2 for 1948 Model)		1
34-5	557-LA	Tachometer - (Stewart Warner) (Special Dial) (Cessna Print 0411087 for 1947 Model - 0411087-2 for 1948 Model)		1
34-6	C2100	Compass - Airpath - (Cessna Print 0411008)		1
34-7	AW-2 3/4-32-0	Altimeter - (U.S. Gage) (Special Dial) (Cessna Print 0411084)		1
34-8	0411035-1	Light Socket - Instrument Panel		4
34-9	1826	Bulb - General Electric - (3 1/4 Miniature Bayonet 13 Volt)		4
34-10	AN515-B6K	Screw - (Attach Instruments)		28
	AN365-B63K	Nut - (Attach Instruments)		28
34-11	A301	Mount - Instrument Panel Shock - (U.S. Rubber) (Cessna Print 0411059)		4
34-12	AN34C-B8	Nut		8
34-13	AN936-A8	Washer - Lock		8
34-14	0413247	Strap - Shock Panel Grounding		1
34-15	PK76X7-6-8	Screw - (Attach Shock Panel Cover)		2
34-16	0412489	Cover Assembly - Shock Panel (Cessna Panel Blue for 1948 Model and Cessna Panel Grey for 1947 Model)		1
34-16	0412489-3	Cover Assembly - Shock Panel - (Optional Cover Assembly - Has Small Holes at Outboard Ends for Optional Instruments)		1
34-17	0412487-3	Bezel - Instruments		4
34-18	0412487-4	Bezel - Instruments		1
34-19	0412486	Clip - Shock Panel Cover Attachment		3
	0413118	Sub Panel Assembly - Stationary Instrument - (Reference Only)		
34-20	0412491	Panel - Stationary Instrument		1
34-21	0413206	Plate - Clock Opening Cover		1
	AN515-6X8	Screw - (Attach Clock Opening Cover Plate)		2
	AN365-632	Nut - (Attach Clock Opening Cover Plate)		2
34-22	7517	Ammeter - (King Seely) (Cessna Print 0411020)		1
34-23	2550	Gauge - Oil Pressure - (Rochester) (Cessna Print 0411016)		1
34-24	2100	Gauge - Oil Temperature		1
34-25	0411035-1	Light Socket - Instrument Panel		2
	1826	Bulb - G.E. - (3 1/4 Miniature Bayonet 13 Volt)		2
34-26	PK76-XZ-8-8	Screw - (Attach Sub Panel)		2
34-27	SCA-2B	Jack - Microphone - (Mallory) (Cessna Print 0411065)		1
	0413166-2	Detail - Microphone - (Serial 11843-14306)		1
	0413166-4	Detail - Microphone - (Serial 14307 & Up)		1
34-28	48192	Plug - United Carr - (Headphone Jack Cutout)		1
	0413166-1	Detail - Headphone - (Serial 11843-14306)		1
	0413166-3	Detail - Headphone - (Serial 14307 & Up)		1

ORDER BY PART NUMBER AND NAME

SERIAL NUMBER AND COLOR IF APPLICABLE

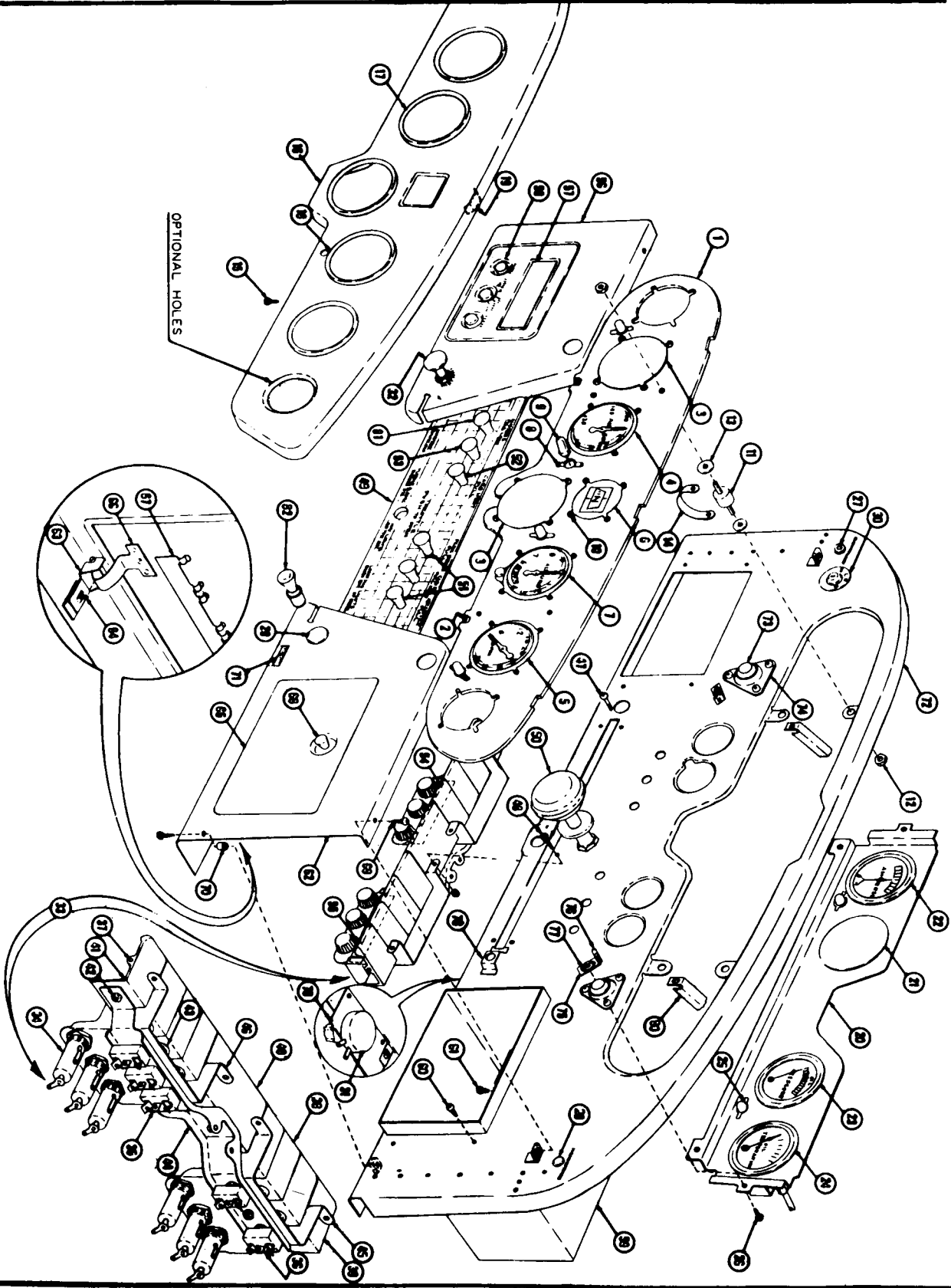


FIGURE 34-INSTRUMENT PANEL EQUIPMENT - 1947 B 48-MODEL 140

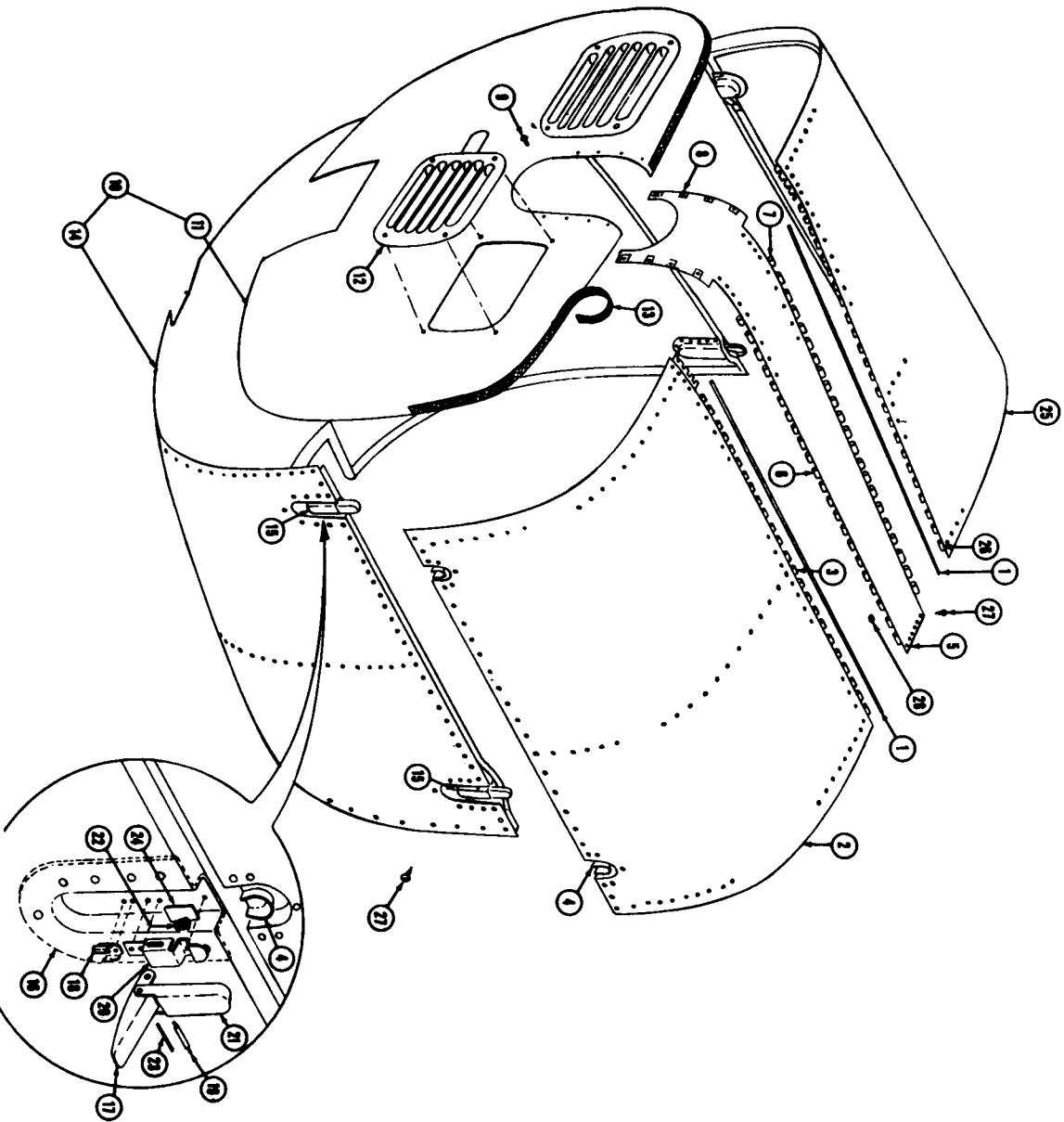


FIGURE 35 - ENGINE COWL ASSEMBLY (1946 MODEL)



FIGURE 34 INSTRUMENT PANEL - 1947 & 1948 MODEL 140

FIGURE AND REF. NO.	PART NUMBER	PART NAME	UNITS REQUIRED ON MODELS	
			120	140
	0413127	Panel Assembly - Stationary Instrument - (Reference Only)		
34-72	0412483	Panel - Stationary Instrument		1
34-73	0411224	Bell - Control Tube Instrument Panel Guide		2
34-74	0411225	Socket - Instrument Panel Control Tube		4
	AN526-632R8	Screw - (Attach Socket to Panel)		6
	AN365-632	Nut - (Attach Socket to Panel)		6
34-75	0413151	Bracket - Panel Shield Mounting		4
34-76	A6187-8Z-3	Nut - Tinnerman		4
34-77	A6191-8Z-3	Nut - Tinnerman		2
34-78	0413128	Bracket - Cigar Lighter		1
34-79	0413131	Bracket - Panel Light Dimming Switch		1
34-80	0413212	Brace - Stationary Instrument Panel		2
34-81	0411090-4	Mixture Control - (Standard Equipment) (Serial 14365 & Up)		1
34-82	0411094-1	Lighter - Casco - (Standard Equipment) (Serial 14365 & Up)		1

FIGURE 35 ENGINE COWL ASSEMBLY - 1946 MODEL

35-	0452000	Cowl Assembly - Engine		1	1
35-1	0452106-3	Hinge Pin - Cowl		2	2
35-2	0452107	Hood Assembly - Left		1	1
35-3	0452106-5	Hinge Half - Cowl		1	1
35-4	0452108	Catch Assembly - Cowl Fastener		2	2
	0452122	Plate - Cowl Fastener Catch		1	1
	0452123	Hook - Cowl Fastener Catch		1	1
35-5	0452125	Support Assembly - Cowl - Upper		1	1
35-6	0452106-4	Hinge Half - Cowl		1	1
35-7	0452106-5	Hinge Half - Cowl		1	1
35-8	A1274-8Z-3	Nut		8	8
35-9	PK76XZ-8-8	Screw		8	8
35-10	0452130	Cowl Assembly - Lower		1	1
35-11	0452130-5	Cowl Assembly - Nose		1	1
	0452124	Cowl - Nose		1	1
	0452127	Reinforcement - Nose Cowl		1	1
35-12	0452117	Grill - Front Upper Cowl		2	2
35-13	0452130-4	Hood Lace - Lower Cowl		2	2
35-14	0452130-3	Cowl Assembly - Lower		1	1
35-15	0452119	Latch Assembly - Cowl Fastener		4	4
35-16	0452109	Recess - Cowl Latch		1	1
35-17	0452110	Lever - Cowl Latch		1	1
35-18	0452111	Clip - Latch Lever		1	1
35-19	0452112	Pin - Latch Lever		1	1
35-20	0452113	Housing - Latch Spring		1	1
35-21	0452114	Hook - Cowl Latch		1	1
35-22	0452115	Spring - Cowl Fastener		1	1
35-23	0452120	Pin - Latch Hook		1	1
35-24	0452121	Shim - Cowl Latch		1	1
35-25	0452152	Hood Assembly - Right		1	1
35-26	0452106-4	Hinge Half - Cowl		1	1
	0452108	Catch Assembly - Cowl Fastener		2	2
	0452122	Plate - Cowl Fastener Catch		1	1
	0452123	Hook - Cowl Fastener Catch		1	1
35-27	PK76XZ-8-8	Screw		22	22
35-28	A1778-8Z-3	Nut		6	6

FIGURE 36 ENGINE COWL ASSEMBLY - 1947 & 1948 MODEL

36-	0452173	Cowl Assembly - Engine Complete - (1947 Model 140) (Serial 11843-14306)			1
36-	0452173-12	Cowl Assembly - Engine Complete - (1947 & 1948 Model 120) (Serial 11843 & Up)		1	
36-	0452173-48	Cowl Assembly - Engine Complete - (1948 Model 140) (Serial 14365 & Up)			1
36-1	NAS41-2-24.687	Pin - Hinge - (Cowl Hood)		2	2
36-2	0452175	Hood Assembly - Cowl - Left		1	1
36-3	0452188	Hinge Half - Cowl		1	1
36-4	0452108	Catch Assembly - Cowl Fastener		2	2
36-5	0452123	Hook - Cowl Fastener Catch		2	2
	0450319	Decal - Muffler Inspection		1	1
36-6	0452187	Support Assembly - Upper Cowl Center		1	1
	0452188	Hinge Half - Cowl		2	2
36-7	A1274-8Z-3	Nut - Tinnerman		8	8
36-8	0452181	Hood Assembly - Cowl - Right		1	1
	0452188	Hinge Half - Cowl		1	1

ORDER BY PART NUMBER AND NAME

SERIAL NUMBER AND COLOR IF APPLICABLE

NOTE
1947 & 1948 MODEL COWL SUB-ASSEMBLIES
ARE NOT INTERCHANGEABLE WITH THOSE
FOR 1946 MODEL

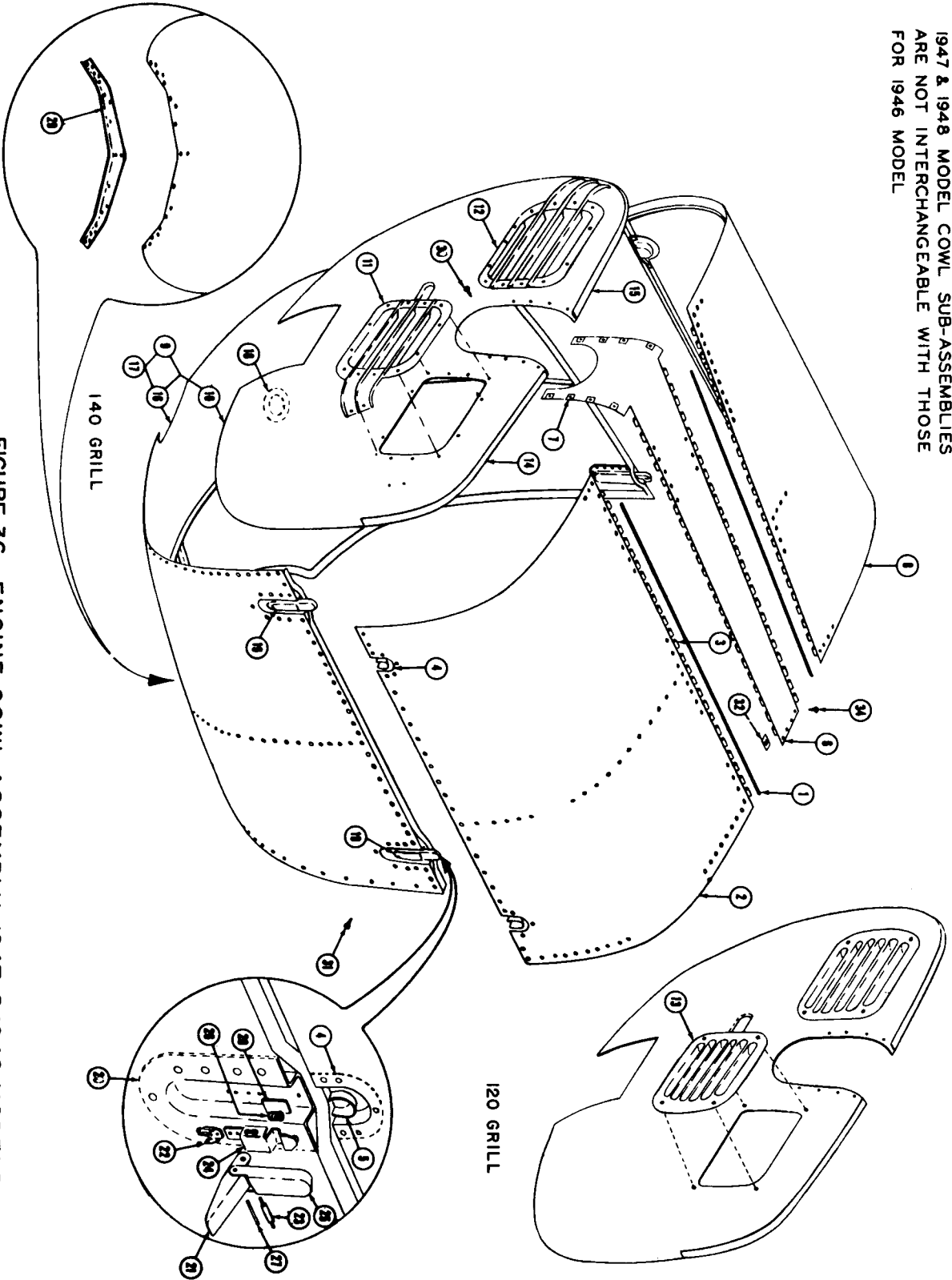


FIGURE 36 - ENGINE COWL ASSEMBLY 1947 & 1948 MODELS

FIGURE 36

ENGINE COWL ASSEMBLY - 1947 & 1948 MODEL

FIGURE AND REF. NO.	PART NUMBER	PART NAME	UNITS REQUIRED ON MODELS		
			120	140	
		1 2 3 4 5 6			
		Catch Assembly - Cowl Fastener			2 2
36-9	0452183	Cowl Assembly - Lower - (1947 Model 140) (Serial 11843-14306)			1 1
	0452183-12	Cowl Assembly - Lower - (1947 & 1948 Model 120) (Serial 11843 & Up)			1 1
	0452183-48	Cowl Assembly - Lower - (1948 Model 140) (Serial 14365 & Up)			1 1
36-10	0452184	Cowl Assembly - Nose - (1947 Model 140) (Serial 11843-14306)			1 1
	0452184-12	Cowl Assembly - Nose - (1947 & 1948 Model 120) (Serial 11843 & Up)			1 1
	0452184-48	Cowl Assembly - Nose - (1948 Model 140) (Serial 14365 & Up)			1 1
	0452185	Cowl - Nose			1 1
36-11	0452157	Grill - Cowl - Upper Left - (1947 Model 140) (Serial 11843-14306)			1 1
36-12	0452157-1	Grill - Cowl - Upper Right - (1947 Model 140) (Serial 11843-14306)			1 1
	0452207	Grill - Cowl - Upper Left - (1948 Model 140) (Serial 14365 & Up)			1 1
	0452207-1	Grill - Cowl - Upper Right - (1948 Model 140) (Serial 14365 & Up)			1 1
36-13	0452117	Grill - Cowl - Upper Front - (1947 & 1948 Model 120) (Serial 11843 & Up)			2 2
36-14	0452191	Angle - Front Rub Strip - Left			1 1
36-15	0452191-1	Angle - Front Rub Strip - Right			1 1
36-16	0452183-3	Cowl Assembly - Engine - Lower - (1947 Model 140) (1947 & 1948 Model 120) (Serial 11843 & Up)			1 1
36-17	0452183-6	Cowl Assembly - Engine - Lower - (1948 Model 140) (Serial 14365 & Up)			1 1
36-18	0452183-4	Doublers - Exhaust Tail Pipe Cutout			2 2
36-19	0452119	Latch Assembly - Cowl Fastener			4 4
36-20	0452109	Recess - Cowl Latch			1 1
36-21	0452110	Lever - Cowl Latch			1 1
36-22	0452111	Clip - Latch Lever			1 1
36-23	0452112	Pin - Latch Lever			1 1
36-24	0452113	Housing - Latch Spring			1 1
36-25	0452114	Hook - Cowl Latch			1 1
36-26	0452115	Spring - Cowl Fastener			1 1
36-27	0452120	Pin - Latch Hook			1 1
36-28	0452121	Shim - Cowl Latch			1 1
36-29	0452208	Doublers - Lower Cowl Bottom - (140 Model Only) (Serial 14365 & Up)			1 1
36-30	PK76X2-8-8	Screw - (Attach Center Cowl Support to Nose Cowl)			8 8
36-31	PK76X2-8-8	Screw - (Attach Cowl Assembly to Fuselage)			24 24
36-32	A1778-8Z-3	Nut - Tinnerman			4 4

FIGURE 37

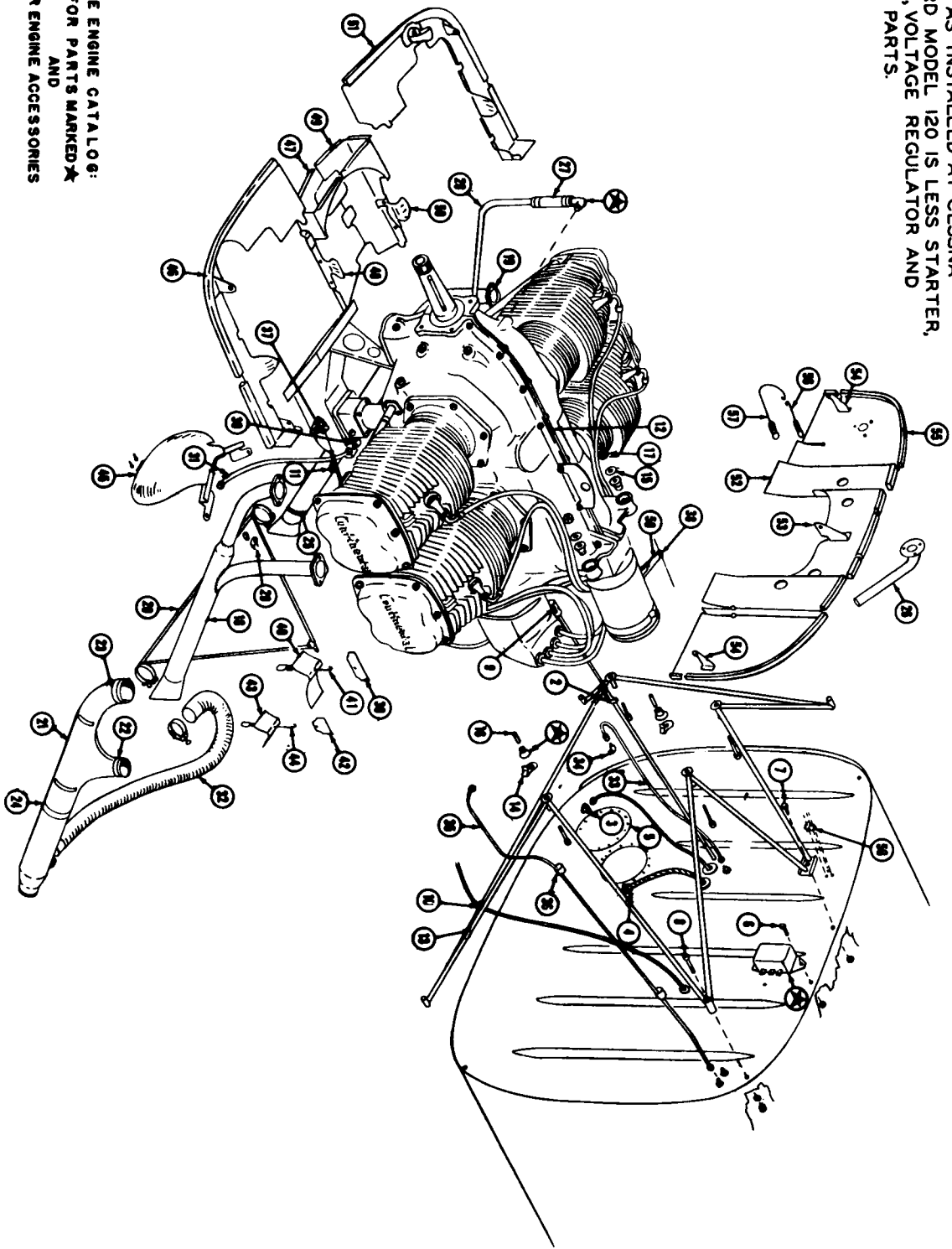
ENGINE INSTALLATION - 1946 MODEL

	0450301	Engine Installation			1 1
37-2	0450192	Clamp Assembly - Throttle			1 1
	AN3-6A	Bolt			1 1
	AN3-5A	Bolt			1 1
	AN365-1032	Nut			2 2
37-3	0450261	Adapter - Oil Temperature Gauge			1 1
37-4	0450017-1	Shaft - Tachometer Drive - (Complete)			1 1
37-5	0453112	Cover - Cabin Heat Aperture			1 1
37-6	AN4-6A	Bolt - (Attach Voltage Regulator)			3 3
	AN365-428	Nut			3 3
37-7	AN5-6A	Bolt - (Attach Engine Mount Top Center)			1 1
	AN365-524	Nut			1 1
37-8	NAS145-15	Bolt - (Internal Wrenching)			4 4
	AN960-516	Washer			4 4
	AN365-524	Nut			4 4
37-9	316	Ball Joint - (Throttle Control to Carburetor)			1 1
	AN365-1032	Nut			1 1
37-10	A2980A-3	Clamp - Tinnerman - (Control to Engine Mount)			1 1
	A2981A-8	Clamp - Tinnerman - (Engine Mount to Control)			1 1
	PK76X2-8-6	Screw			1 1
37-11	A2981A-3	Clamp - Tinnerman - (Carburetor Valve to Control)			1 1
	PK76X2-8-6	Screw			1 1
	0450200	Engine Assembly - Continental C-85-12 and C-85-12F (Reference Only)			1 1
37-12	C-85-12	Engine - Continental Series 12 - (Taper Shaft)			1 1
	C-85-12F	Engine - Continental Series 12F - (Flanged Shaft)			1 1
37-13	0451000	Engine Mount			1 1
	NAS146A-43	Bolt - Internal Wrenching - (Serial 8001-10499)			4 4
	AN6-46	Bolt - (Attach Engine Mount Upper) (Serial 10500 & Up)			2 2
	AN6-34	Bolt - (Attach Engine Mount Lower) (Serial 10500 & Up)			2 2
37-14	0450148	Bonding Strap - Engine			4 4

ORDER BY PART NUMBER AND NAME

SERIAL NUMBER AND COLOR IF APPLICABLE

THE ENGINE AS INSTALLED AT CESSNA ON STANDARD MODEL 120 IS LESS STARTER, GENERATOR, VOLTAGE REGULATOR AND ASSOCIATED PARTS.



SEE ENGINE CATALOG:
FOR PARTS MARKED *
AND
FOR ENGINE ACCESSORIES

FIGURE 37 -ENGINE INSTALLATION (1946 MODEL)

FIGURE 37

ENGINE INSTALLATION - 1946 MODEL

FIGURE AND REF. NO.	PART NUMBER	PART NAME						UNITS REQUIRED ON MODELS	
		1	2	3	4	5	6	120	140
37-15	AN970-6				Washer			8	8
	AN960-616				Washer			4	4
37-16	0450195				Spacer - Engine Attachment			4	4
37-17	AN310-6				Nut - Castle			4	4
	AN380-3-4				Pin - Cotter			4	4
37-18	0450145				Exhaust Stack - Engine - Left			1	1
37-19	0450144				Exhaust Stack - Engine - Right			1	1
37-20	0450196				Bracket Assembly - Exhaust Stack			1	1
	AN380-3-4				Pin - Cotter			2	2
37-21	0450199				Muff Assembly - Carburetor Heater			1	1
	0450228				Muff Segment - Carburetor Heat - Left			1	1
	0450237				Muff Segment - Carburetor Heat - Right			1	1
37-22	A3122-30-59				Clamp - Tinnerman			1	1
37-23	A3122-52-59				Clamp - Tinnerman			1	1
37-24	A3122-58-59				Clamp - Tinnerman			1	1
37-25	0450223-1				Seal - Engine Exhaust Stack Brace - (Used When Cabin Heater Not Installed)			2	2
37-26	0450240				Blast Tube - Oil Temperature			1	1
	AN515-8H-6				Screw			3	3
	AN365-832				Nut			3	3
37-27	AN884-10-14				Hose			1	1
	A3122-16-59				Clamp - Tinnerman			2	2
37-28	0400106-15				Vent Line - Engine Case			1	1
37-29	A2980A-10				Clamp - Tinnerman - (Attach Vent Line to Brace)			1	1
	A2980A-4				Clamp - Tinnerman			1	1
	AN515-8H-7				Screw			1	1
	AN365-832				Nut			1	1
37-30	AN822-6B				Elbow			1	1
37-31	352-6D-16 1/2				Hose Assembly - (Aerogrip)			1	1
37-32	0450320-2				Hose - Carburetor Heat			1	1
	A3499-34-3				Clamp - Tinnerman			1	1
37-33	0400106-6				Oil Line - Engine to Firewall Pressure			1	1
37-34	AN823-2B				Elbow			1	1
37-35	0400106-19				Primer Line - Firewall to Manifold			1	1
37-36	49211				Clamp - United Carr			2	2
37-37	0450311				Clamp - Wire Control - (Carburetor Heat)			1	1
	AN365-1032				Nut			1	1
	AN960-10L				Washer			1	1
	AN960-10				Washer			1	1
37-38	0450311				Clamp - Wire Control - (Starter Control)			2	2
	AN365-1032				Nut			1	1
	AN960-10L				Washer			1	1
	AN960-10				Washer			1	1
37-39	0450210				Support - Inter Cylinder Baffle			2	2
37-40	0450122				Baffle - Inter Cylinder			2	2
37-41	0450211-1				Fastener - Inter Cylinder Baffle			2	2
37-42	0450209				Support - Inter Head Baffle			2	2
37-43	0450171				Baffle - Inter Head			2	2
37-44	0450211-2				Fastener - Head Baffle			2	2
37-45	0450166				Baffle Assembly - Engine Oil Sump			1	1
	AN515-8H-7				Screw - (Attach Oil Sump Baffle)			4	4
	AN365-832				Nut			4	4
	AN364-524				Nut			2	2
	PK76X7-4-4				Screw - (Attach Oil Sump Baffle)			2	2
37-46	0450164				Baffle Assembly - Cylinder - Left			1	1
	0450234-2				Rub Strip - Engine Baffle			1	1
	0450234-8				Rub Strip - Engine Baffle			1	1
37-47	0450136				Baffle Assembly - Lower Case			1	1
37-48	0450168				Side Baffle - Lower Case			1	1
37-49	0450137				Baffle Assembly - Lower Case			1	1
37-50	0450169				Side Baffle - Lower Case			1	1
37-51	0450167				Baffle Assembly - Cylinder Lower - Right			1	1
	0450234-1				Rub Strip - Engine Baffle			1	1
	0450234-8				Rub Strip - Engine Baffle			1	1
	0450273				Plate - Baffle Cover			1	1
37-52	0450197				Baffle Assembly - Rear Cylinder			1	1
	AN931-11-16				Grommet			2	2
	0450121				Baffle - Rear Cylinder			1	1
37-53	0450214				Bracket - Rear Cylinder Baffle			1	1
37-54	0450215				Side Bracket - Rear Cylinder Baffle			2	2
37-55	0450234-3				Rub Strip - Engine Baffle			2	2
	0450234-4				Rub Strip - Engine Baffle			1	1
	0450234-5				Rub Strip - Engine Baffle			2	2
	0450234-6				Rub Strip - Engine Baffle			2	2
37-56	0450277-1				Fastener - Rear Baffle to Cylinder			2	2

ORDER BY PART NUMBER AND NAME

SERIAL NUMBER AND COLOR IF APPLICABLE

ILLUSTRATED PARTS CATALOG

FIGURE 37

ENGINE INSTALLATION - 1946 MODEL

FIGURE AND REF. NO.	PART NUMBER	PART NAME	UNITS REQUIRED ON MODELS	
			120	140
37-57	0450277-2	Fastener - Rear Baffle to Cylinder	2	2
	AN515-8R-5	Screw - (Baffle Attachment)	2	2
	AN515-8R-7	Screw - (Baffle Attachment)	8	8
	AN365-832	Nut - (Baffle Attachment)	10	10
37-58	0450284	See Figure 17		
37-59	0450283	Extension - Starter Arm	1	1
	AN3-4A	Bolt - (Attach Extension to Starter Arm)	1	1
	AN365-1032	Nut	1	1

FIGURE 38

ENGINE INSTALLATION - 1947 & 1948 MODEL

	0450301	Engine Installation - Continental C85-12F - (Reference Only)		
38-1	0450192	Clamp Assembly - Throttle	1	1
	AN3-6A	Bolt	1	1
	AN3-5A	Bolt	1	1
	AN365-1032	Nut	1	1
	0450261	Adapter - Oil Temperature Gauge	1	1
38-3	0450017-1	Shaft - Tachometer - (Complete) (31" Length)	1	1
38-4	0453112	Cover - Cabin Heater Aperture	1	1
38-5	AN4-6A	Bolt - (Attach Voltage Regulator)	1	3
	AN365-428	Nut		3
38-6	AN5-6A	Bolt - (Attach Top Center Engine Mount)	1	1
	AN365-524	Nut	1	1
38-7	AN5145-15	Bolt - Internal Wrenching - (Attach Engine Mount to Firewall)	4	4
38-8	AN960-516	Washer	4	4
	AN365-524	Nut	4	4
38-9	316	Ball Joint - Air Associates - (Throttle Control to Carburetor)	1	1
	AN365-1032	Nut	1	1
38-10	A2980A-3	Clamp - Tinnerman - (Carburetor Heat Control to Engine Mount)	1	1
	A2981A-8	Clamp - Tinnerman - (Engine Mount to Carburetor Heat Control)	1	1
	PK76XZ-8-6	Screw	1	1
38-11	A2981A-3	Clamp - Tinnerman - (Control to Carburetor Air Box)	1	1
	PK76XZ-8-6	Screw	1	1
38-12	0450200	Engine Assembly - Continental C85-12F - (Reference Only)		
	C85-12F	Engine - Continental Series 12F - (Flanged Shaft) (1947 Model 120 & 140 Serial 11843-14306) (1948 Model 120 Only - Serial 14307 & Up)	1	1
	C90-12F	Engine - Continental Series 12F - (Flanged Shaft) (1948 Model 140 Only-Serial 14365 & Up)		1
38-13	0451000	Engine Mount	1	1
38-14	AN6-46	Bolt - (Engine Upper Mount)	2	2
38-15	AN6-34	Bolt - (Engine Lower Mount)	2	2
38-16	0450148	Bonding Strap - Engine		4
38-17	AN970-6	Washer - (Engine Mount Attachment)	8	8
	AN960-616	Washer	4	4
38-18	0450195	Spacer - Engine Attachment	4	4
38-19	AN310-6	Nut - Castle - (Engine Mount Attachment)	4	4
	AN380-3-4	Pin - Cotter	4	4
38-20	0450290	Muffler - Engine Exhaust - Left	1	1
38-21	0450295	Muffler - Engine Exhaust - Right	1	1
38-22	0450306	Brace - Engine Exhaust Stack	1	1
38-23	AN3-3A	Bolt - (Attach Brace to Muffler)	2	2
	AN363-1032	Nut	2	2
	AN960-10	Washer	2	2
	38-24	0450298	Muff - Heater - (Half)	2
38-25	A1022-8A-4	Nut - Tinnerman	11	11
	PK76XZ-8-8	Screw - (Fasten Heater Muffs to Muffler)	11	11
	0450116-4	Hose - Heater Muff to Carburetor Elbow	1	1
38-26	0450314	Elbow - Carburetor Hot Air Intake	1	1
	AN526-832-40	Screw - (Attach Elbow to Carburetor Box)	1	1
	AN365-832	Nut	1	1
38-27	0450116-5	Hose - Air Scoop to Heater Muff	1	1
38-28	A3499-32-3	Clamp - Tinnerman - (Heater Hose)	4	4
38-29	0400106-6	Line - Engine Oil Pressure	1	1
38-30	AN823-2B	Elbow	1	1
38-31	0400106-63	Line - Engine Case Vent	1	1
	AN884-10-14	Hose - (Vent Line to Elbow)	1	1
38-32	A3122-16-59	Clamp - Tinnerman - (Vent Line Hose)	2	2
	A2980A-8	Clamp - Tinnerman - (Vent Tube to Engine Mount)	1	1
	A2980A-10	Clamp - Tinnerman - (Engine to Vent Tube)	1	1
	AN515-8R-7	Screw	1	1
	AN365-832	Nut	1	1
	0400106-60	Line - Firewall to Manifold Primer	1	1

ORDER BY PART NUMBER AND NAME

SERIAL NUMBER AND COLOR IF APPLICABLE

FIGURE 38

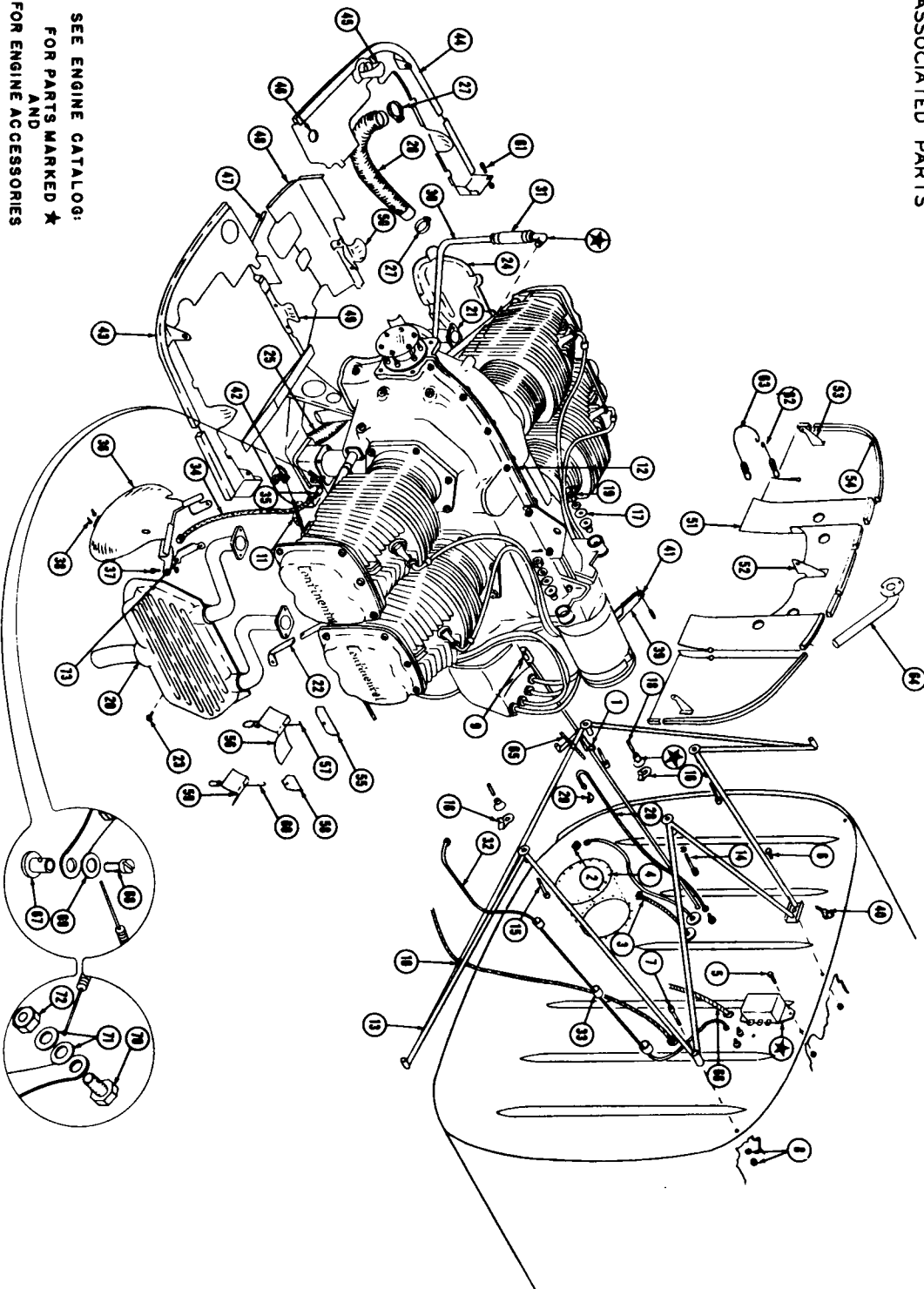
ENGINE INSTALLATION - 1947 & 1948 MODEL

FIGURE AND REF. NO.	PART NUMBER	PART NAME						UNITS REQUIRED ON MODELS	
		1	2	3	4	5	6	120	140
38-33	49211							1	1
38-34	359-6D-16 1/2							1	1
	359-6D-18							1	1
38-35	AN822-6B							1	1
38-36	0450166							1	1
	AN364-524							1	1
38-37	AN515-8R7							2	2
	AN365-832							4	4
38-38	PK76XZ-4-4							2	2
38-39	0450283							1	1
	AN3-4A							1	1
	AN365-1032							1	1
38-40	0450284							1	1
38-41	0450311							1	1
	AN365-1032							1	1
	AN960-10L							1	1
	AN960-10							1	1
38-42	0450311							1	1
	AN365-1032							1	1
	AN960-10L							1	1
	AN960-10							2	2
38-43	0450318							1	1
	0450234-2							1	1
	0450234-8							1	1
38-44	0450167-3							1	1
	0450234-1							1	1
	0450234-8							1	1
38-45	0450266							1	1
38-46	AN931-10-14							1	1
38-47	0450136							1	1
38-48	0450137							1	1
38-49	0450168							1	1
38-50	0450169							1	1
38-51	0450197							1	1
	AN931-11-16							2	2
	0450121							1	1
38-52	0450214							1	1
38-53	0450215							2	2
38-54	0450234-3							2	2
	0450234-4							1	1
	0450234-5							2	2
	0450234-6							2	2
38-55	0450210							2	2
38-56	0450122							2	2
38-57	0450211-1							2	2
38-58	0450209							2	2
38-59	0450171							2	2
38-60	0450211-2							2	2
38-61	AN515-8R7							8	8
	AN515-8R5							2	2
	AN365-832							10	10
38-62	0450277-1							2	2
38-63	0450277-2							2	2
	49166-1							1	1
38-64	0450240							1	1
	AN515-8R6							3	3
	AN365-832							1	1
38-65	A2980A-3							1	1
	A2981A-8							1	1
	PK76XZ-8-6							1	1
								Note: Clamps are Located on Right Side of Engine Mount When Engine is Equipped with Marvel Carburetor and on Left Side when used with Stromberg Carburetor and Large Oil Tank (Serial 14365 & Up)	
38-66	0411090-2							1	1
	0450401							1	1
38-67	0450258							1	1
38-68	AN500A-8-5							1	1
38-69	AN960-C416							1	1

ORDER BY PART NUMBER AND NAME

SERIAL NUMBER AND COLOR IF APPLICABLE

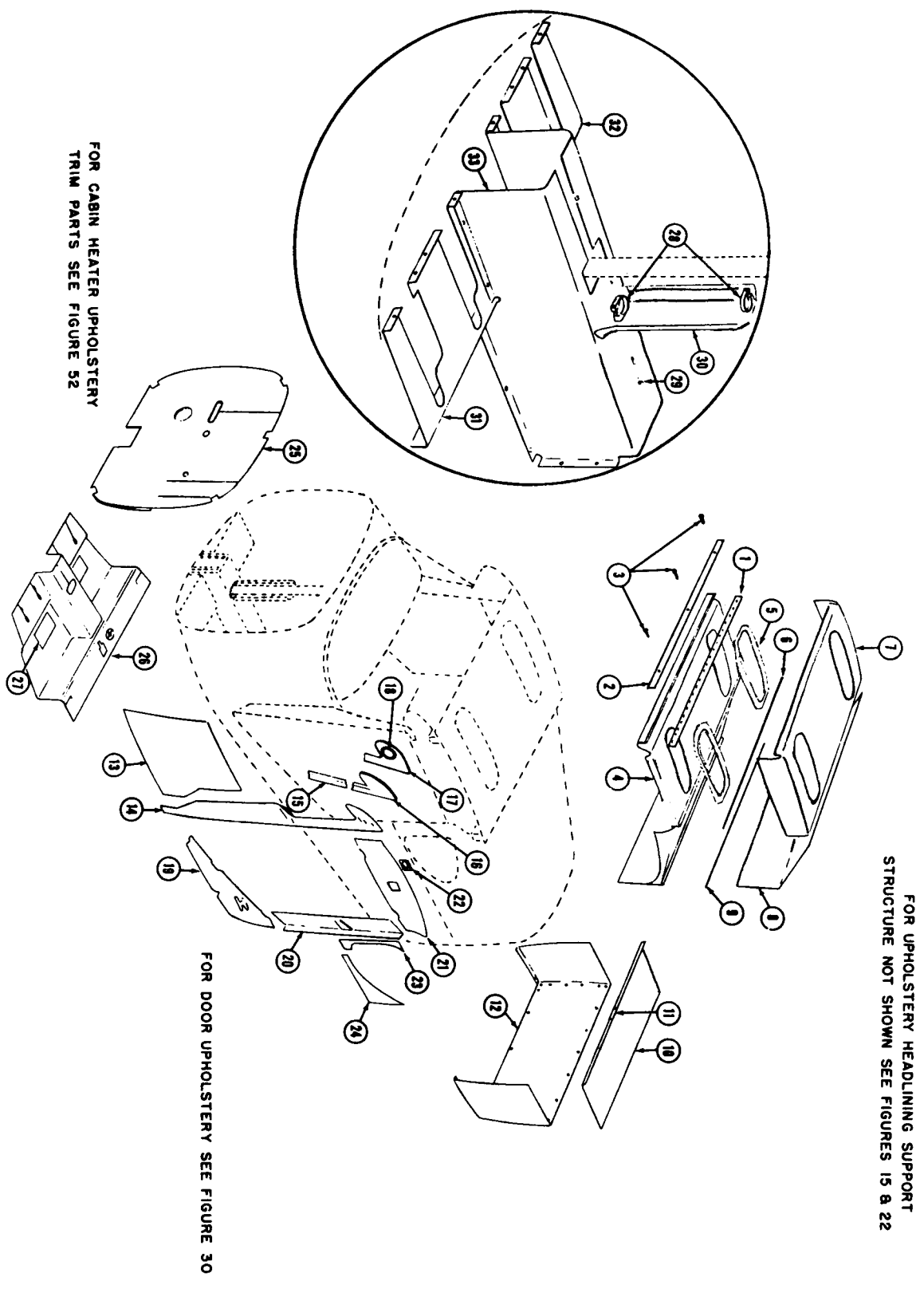
THE ENGINE AS INSTALLED AT CESSNA
ON STANDARD MODEL 120 IS LESS STARTER,
GENERATOR, VOLTAGE REGULATOR AND
ASSOCIATED PARTS



SEE ENGINE CATALOG:
FOR PARTS MARKED ★
AND
FOR ENGINE ACCESSORIES

FIGURE 38 - ENGINE INSTALLATION (1947 & 1948 MODEL)

ILLUSTRATED PARTS CATALOG



FOR UPHOLSTERY HEADLINING SUPPORT
STRUCTURE NOT SHOWN SEE FIGURES 15 & 22

FOR CABIN HEATER UPHOLSTERY
TRIM PARTS SEE FIGURE 52

FOR DOOR UPHOLSTERY SEE FIGURE 30

FIGURE 39 - CABIN TRIM AND UPHOLSTERY (140)

FIGURE 39

CABIN TRIM AND UPHOLSTERY - MODEL 140

FIGURE AND REF. NO.	PART NUMBER	PART NAME	UNITS REQUIRED ON MODELS	
			120	140
	49396	Fastener - United Carr - (Attach Floorboard Mat)		10
39-27	0413270	Plate - Floorboard Mat Scuff		1
39-28	0411840	Clamp - 1 1/2" Diameter		2
39-29	AN526-632R-36	Screw		2
39-30	0411293	Shield Assembly - Control Tee - (Includes Carpet)		1
	0411501-14	Shield Installation - Pilot Brake - Model 140 - (Reference Only)		
39-31	0411599	Shield - Rudder Bar - Left		1
39-32	0411836	Shield - Rudder Bar - Right		1
39-33	0411854	Shield Assembly - Floorboard Center		1
	PK76XZ-8-6	Screw - (Attach Floorboard Center Shield)		31
	A1348-8Z-3	Nut - Tinnerman		8
	AN365-1032	Nut - Stop		4
	A1787-8Z-3	Nut - Tinnerman		2

FIGURE 40

CABIN TRIM AND UPHOLSTERY - MODEL 120

FIGURE AND REF. NO.	PART NUMBER	PART NAME	UNITS REQUIRED ON MODELS	
			120	140
	0411855	Installation - Upholstery - Model 120 - (Reference Only)		
40-1	0411857	Hanger - Interior Trim		1
40-2	0411855-3	Curtain - Upholstery		1
40-3	0411856	Cover - Engine Mount Stringer - Left		1
	0411856-1	Cover - Engine Mount Stringer - Right		1
40-4	0411859	Shield - Door Jamb - Rear Left		1
	0411859-1	Shield - Door Jamb - Rear Right		1
40-5	0411699	Shield Assembly - Front Door Post - Left - (Serial 8001-8799)		1
	0411875-3	Moulding - Door Post Shield - (X-200 Rubber Channel)		1
	0411699-1	Shield Assembly - Front Door Post - Right - (Serial 8001-8799)		1
	0411875-3	Moulding - Front Door Post Shield - (X-200 Rubber Channel)		1
40-6	0411892	Shield Assembly - Upper Door Post - Left - (Serial 8800-11842)		1
	0411875-4	Moulding - Upper Door Post Shield - (X-200 Rubber Channel)		1
	0411892-1	Shield Assembly - Front Upper Door Post - Right - (Serial 8800-11842)		1
	0411875-4	Moulding - Front Upper Door Post Shield - Rubber		1
40-7	0411892-8	Shield Assembly - Front Upper Door Post - Left - (Serial 11843 & Up)		1
	0411875-4	Moulding - Front Upper Door Post Shield - Rubber		1
40-8	0413235	Grommet - Cabin Ventilator		1
	0411892-7	Shield Assembly - Front Upper Door Post-Right-(Serial 11843 & Up)		1
	0411875-4	Moulding - Front Upper Door Post Shield - Rubber		1
	0413235	Grommet - Cabin Ventilator		1
	0411839	Clip - (Attach Upper Door Post Shield)		2
40-9	0411893	Fairing - Door Post - Lower Left - (Serial 8800 & Up)		1
	0411893-1	Fairing - Door Post - Lower Right - (Serial 8800 & Up)		1
40-10	0411860	Angle - Front Upholstery Support		1
40-11	0411861	Angle - Rear Upholstery Support		1
40-12	0411869-4	Plate - Baggage Compartment Placard		1
40-13	0411732-1	Decal - Baggage Compartment - (80 lbs. Max.) (Alternate)		1
	0411732-2	Decal - Baggage Compartment - (75 lbs. Max.) (Alternate)		1
	0411732-3	Decal - Baggage Compartment - (70 lbs. Max.) (Alternate)		1
	0411732-4	Decal - Baggage Compartment - (65 lbs. Max.) (Alternate)		1
	0411732-5	Decal - Baggage Compartment - (60 lbs. Max.) (Alternate)		1
	0411732-6	Decal - Baggage Compartment - (55 lbs. Max.) (Alternate)		1
40-14	0413165	Upholstery Panel - Upper Door Jamb - Left - (Serial 11843-14004)		1
	0413165-1	Upholstery Panel - Upper Door Jamb - Right - (Serial 11843-14004)		1
	0413165-12	Upholstery Panel - Upper Door Jamb - Left - (Serial 14005 & Up)		1
	0413165-13	Upholstery Panel - Upper Door Jamb - Right - (Serial 14005 & Up)		1
40-15	0411709-8	Upholstery Panel - Front - Left - (Serial 11843 & Up)		1
	0411709-9	Upholstery Panel - Front - Right - (Serial 11843 & Up)		1
40-16	0411714-15	Mat Assembly - Floor - (Serial 11843 & Up)		1
40-17	0413265	Trim - Fuel Gauge Opening - (Serial 12583 & Up)		2
40-18	0413211	Firewall Panel - (Serial 12583 & Up)		2
40-19	0413270	Plate - Floorboard Mat Scuff		1
40-20	0411854	Shield Assembly - Floorboard - Center		1
40-21	0411293	Shield Assembly - Control Tee - (Serial 11843 & Up)		1
40-22	0411840	Clamp - 1 1/2" Diameter		2
40-23	AN526-632R-36	Screw		2
	PK8BXZ-4-6	Screw - (Upholstery Attachment)		20
	600	Washer - AU-VB-C0 - (Upholstery Attachment)		20
	PK76XZ-4-5	Screw - (Upholstery Attachment)		21
	99255	Fastener - United Carr - (Upholstery Attachment)		6

ORDER BY PART NUMBER AND NAME

SERIAL NUMBER AND COLOR IF APPLICABLE

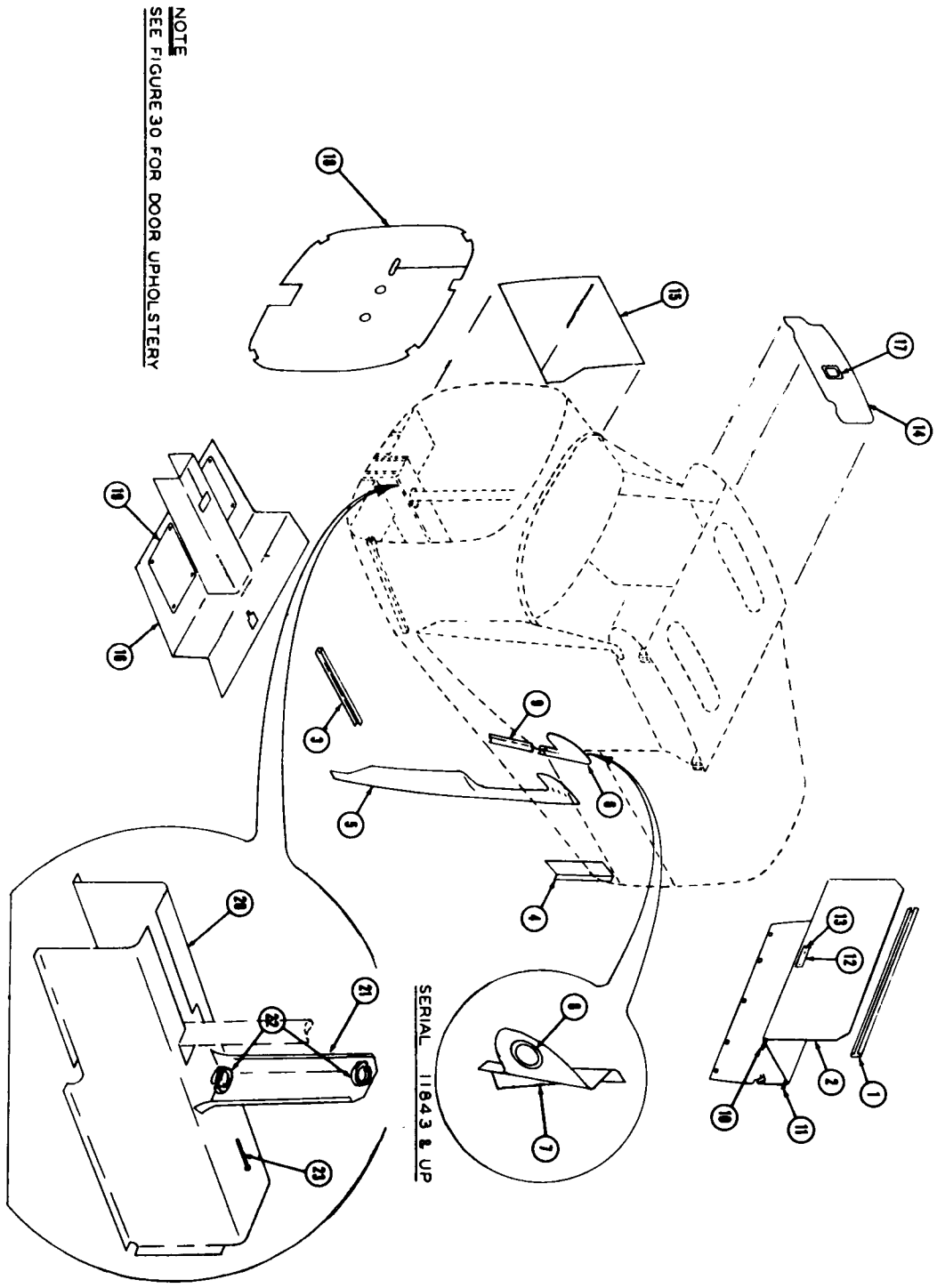


FIGURE 40 - CABIN TRIM AND UPHOLSTERY (120)

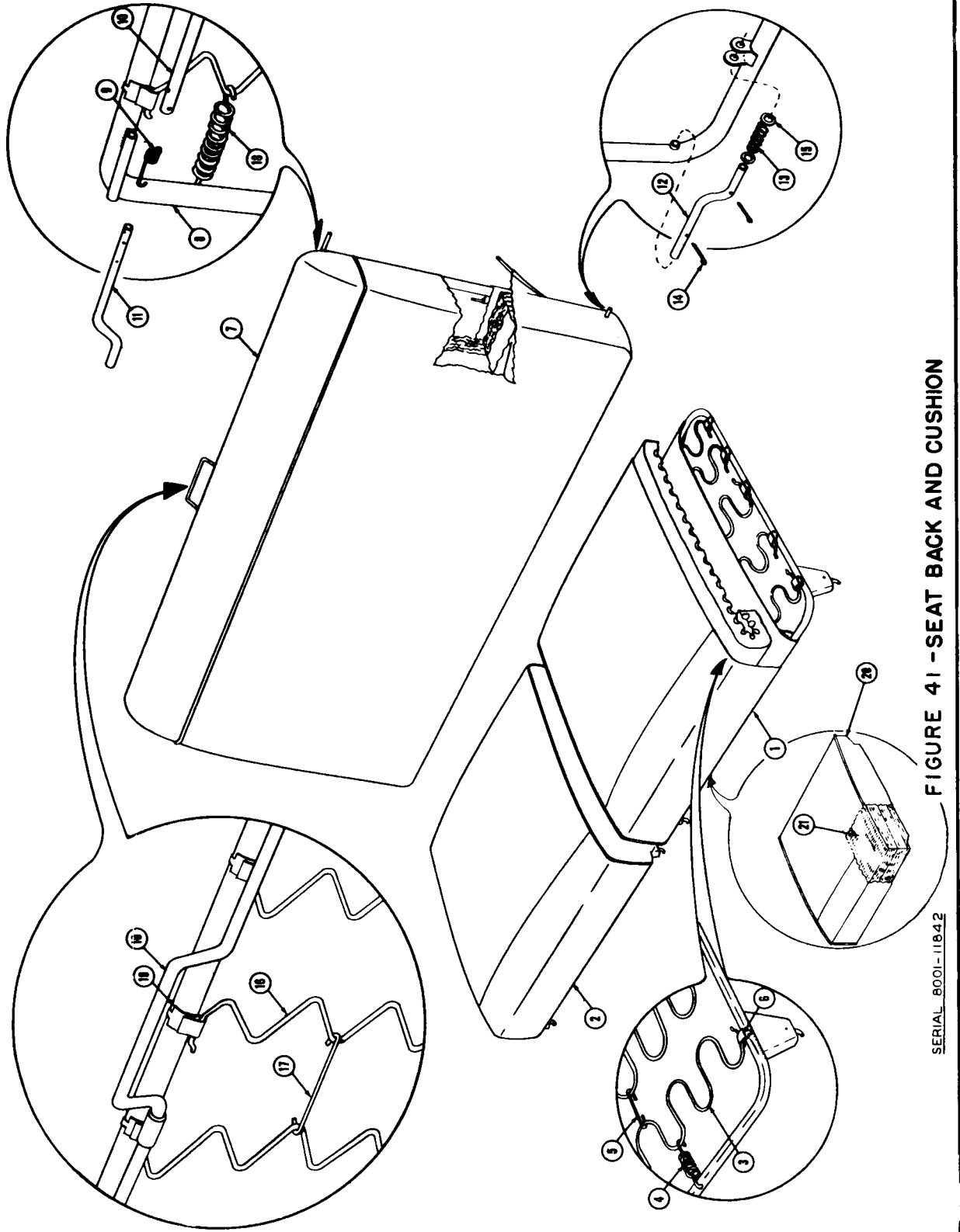
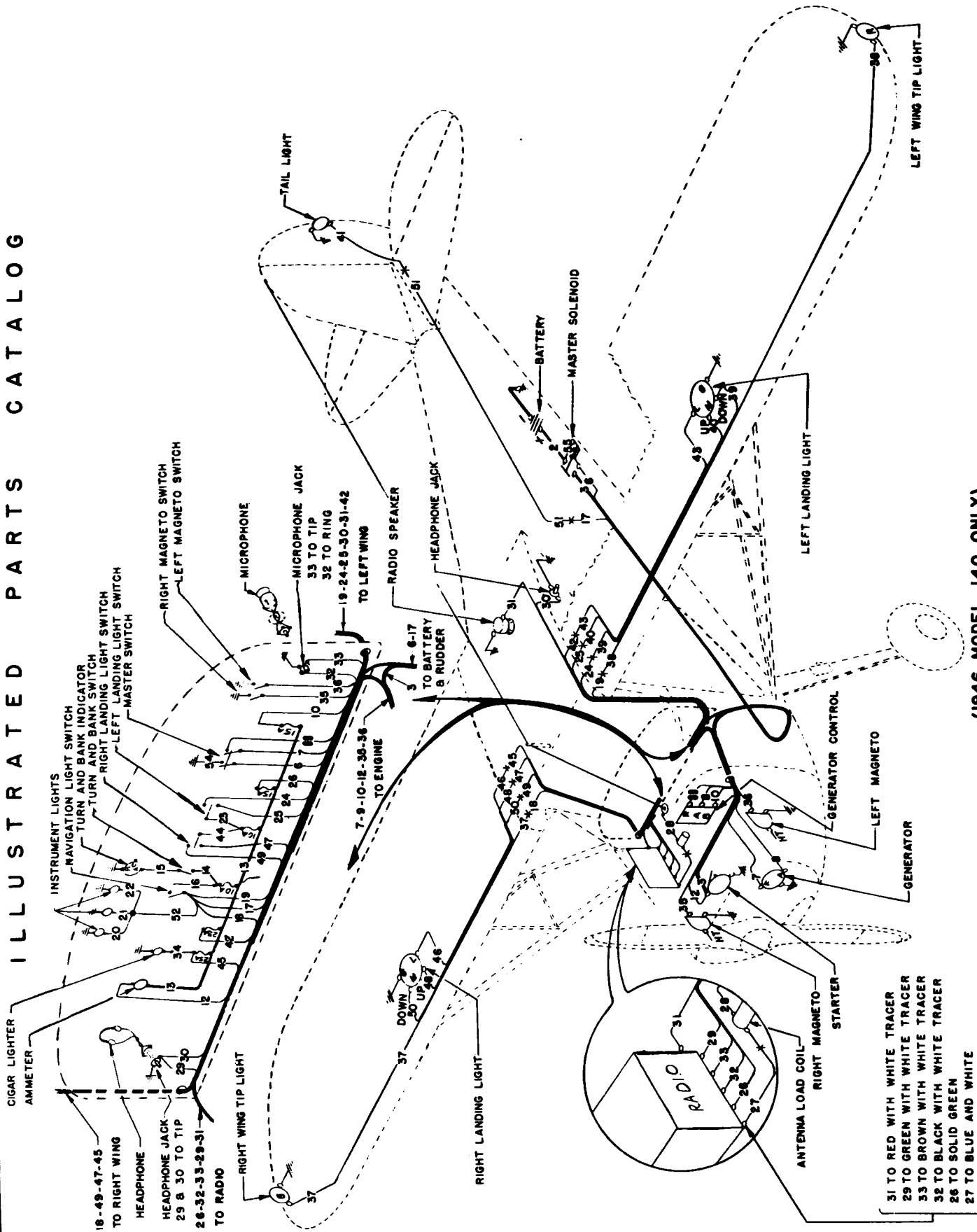


FIGURE 41 - SEAT BACK AND CUSHION

SERIAL 8001-11842



(1946 MODEL 140 ONLY)
 FIGURE 42 -ELECTRICAL WIRING DIAGRAM

- 31 TO RED WITH WHITE TRACER
- 29 TO GREEN WITH WHITE TRACER
- 33 TO BROWN WITH WHITE TRACER
- 32 TO BLACK WITH WHITE TRACER
- 26 TO SOLID GREEN
- 27 TO BLUE AND WHITE

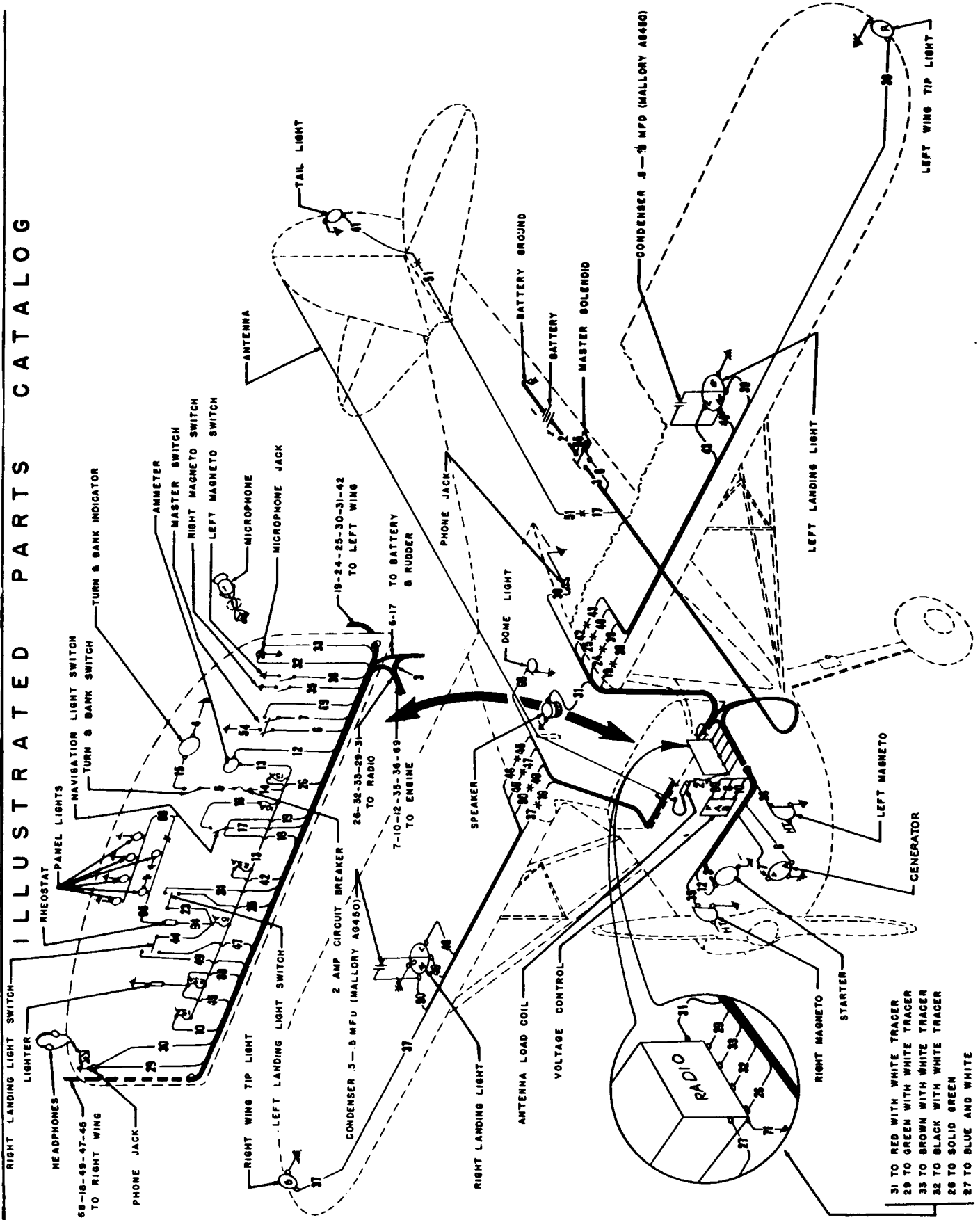
ILLUSTRATED PARTS CATALOG

FIGURE 42

ELECTRICAL WIRING DIAGRAM - MODEL 140

FIGURE AND REF. NO.	PART NUMBER	PART NAME						UNITS REQUIRED ON MODELS	
		1	2	3	4	5	6	120	140
	A-50			Terminal					1
							Note: Wires -17, -18, -19, -52 Grouped At Switch With One C-36 Terminal		
42-19	0400005-19			Wire Assembly - (Wing Tip Light - Switch to Wingroot - Left)					1
	A-50			Terminal					1
42-20	0400005-20			Wire - (Instrument Panel Light)					1
42-21	0400005-21			Wire - (Instrument Panel Light)					1
42-22	0400005-22			Wire - (Instrument Panel Light)					1
42-23	0400005-23			Wire Assembly - (Landing Light - Switch to Fuse)					1
	A-84			Terminal					1
42-24	0400005-24			Wire Assembly - (Landing Light - Switch to Wingroot - Left)					1
	A-50			Terminal					1
	A-84			Terminal					1
42-25	0400005-25			Wire Assembly - (Landing Light - Switch to Wingroot - Left)					1
	A-50			Terminal					1
	A-84			Terminal					1
42-26	0400005-26			Wire - (Fuse to Radio)					1
42-27	0400005-27			Wire Assembly - (Radio to Load Coil)					1
	A-50			Terminal					1
42-28	0400005-28			Wire Assembly - (Antenna to Load Coil)					1
	A-84			Terminal					1
42-29	0400005-29			Wire - (Radio to Phone Jack)					1
42-30	0400005-30			Wire - (Phone Jack Connecting)					1
42-31	0400005-31			Wire - (Radio to Speaker) (Standard on Serial 8933 & Up)					1
42-32	0400005-32			Wire - (Radio to Phone Jack)					1
42-33	0400005-33			Wire - (Radio to Phone Jack)					1
42-34	0400005-34			Wire - (Fuse to Cigar Lighter)					1
42-35	0400005-35			Wire Assembly - (Switch to Magneto - Right)				1	1
	A-84			Terminal				1	1
42-36	0400005-36			Wire Assembly - (Switch to Magneto - Left)				1	1
	A-84			Terminal				1	1
42-37	See Figure 7								
42-38	See Figure 3								
42-39	See Figure 3								
42-40	See Figure 3								
42-41	See Figure 13								
42-42	0400005-42			Wire Assembly - (Landing Light - Fuse to Wingroot - Left)					1
	C-50			Terminal					1
42-43	See Figure 3								
42-44	0400005-44			Wire Assembly - (Fuse to Landing Light Switch)					1
	A-84			Terminal					1
42-45	0400005-45			Wire Assembly - (Landing Light - Fuse to Wingroot - Right) (Optional After Serial 9710)					1
	C-50			Terminal					1
42-46	See Figure 7								
42-47	0400005-47			Wire Assembly - (Landing Light - Switch to Wingroot - Right) (Optional After Serial 9710)					1
	A-84			Terminal					1
	A-50			Terminal					1
42-48	See Figure 7								
42-49	0400005-49			Wire Assembly - (Landing Light - Switch to Wingroot - Right) (Optional After Serial 9710)					1
	A-84			Terminal					1
	A-50			Terminal					1
42-50	See Figure 7								
42-51	0400005-51			Wire Assembly - (Tail Light - Fuselage Aft)					1
	A-50			Terminal					1
42-52	0400005-52			Wire Assembly - (Switch to Panel Lights)					1
	CC			Terminal					1
42-54	0400005-54			Wire Assembly - (Master Switch Ground)					1
	A-84			Terminal					1
	A-36			Terminal					1
42-55	0400005-55			Wire Assembly - (Master Solenoid Terminal Connecting)					1
42-60	A-57			Disconnect Splice - Sta-Kon					8
	A-50			Tip - Disconnect Splice - (Assembled on Wires)					2
	#7			Coupler - Disconnect Splice					1
42-61	C-58			Disconnect Splice - Sta-Kon					2
	C-50			Tip - Disconnect Splice - (Assembled on Wires)					2
	#8			Coupler - Disconnect Splice					1
	A-84			Terminal					1
	A-71			Terminal					1
42-69	0400005-69			Wire Assembly - (Master Switch to Voltage Control) (Wire Number Changed From -9 to -69 to Prevent Confusion With -6 Wire)					1
	A-36			Terminal					1
	A-84			Terminal					1

ILLUSTRATED PARTS CATALOG



(1947 & 1948 MODEL 140 ONLY)
FIGURE 43 — ELECTRICAL WIRING DIAGRAM

ILLUSTRATED PARTS CATALOG

FIGURE 43

ELECTRICAL WIRING DIAGRAM - 1947 & 1948 MODEL 140

FIGURE AND REF. NO.	PART NUMBER	PART NAME						UNITS REQUIRED ON MODELS	
		1	2	3	4	5	6	120	140
43-2	0400005-2	Wire Assembly	-	(Battery to Master Solenoid)					1
	F-71	Terminal							1
	F-73	Terminal							1
43-3	0400005-3	Wire Assembly	-	(Master Solenoid to Starter)					1
	F-71	Terminal							1
	F-73	Terminal							1
43-4	0400007-4	Wire Assembly	-	(Turn and Bank Indicator to Ground)					1
	A-36	Terminal							1
	A-84	Terminal							1
43-5	0400007-5	Wire Assembly	-	(Circuit Breaker to Turn and Bank Switch)					1
	A-71	Terminal							1
	A-84	Terminal							1
43-6	0400005-6	Wire Assembly	-	(Master Switch to Master Solenoid)					1
	A-84	Terminal							2
43-7	0400007-7	Wire Assembly	-	(Master Switch to Generator)					1
	A-71	Terminal							1
	A-84	Terminal							1
43-8	0400005-8	Wire Assembly	-	(Generator to Voltage Control)					1
	B-36	Terminal							1
	B-71	Terminal							1
43-10	0400007-10	Wire Assembly	-	(Fuse to Voltage Control)					1
	B-36	Terminal							1
43-12	0400007-12	Wire Assembly	-	(Starter to Ammeter)					1
	C-36	Terminal							1
	C-73	Terminal							1
43-13	0400005-13	Wire Assembly	-	(Ammeter to Fuses)					1
	C-36	Terminal							1
43-14	0400007-14	Wire Assembly	-	(Circuit Breaker to Ammeter)					1
	C-77	Terminal							1
43-15	0400007-15	Wire Assembly	-	(Switch to Turn and Bank Indicator)					1
	A-84	Terminal							2
43-16	0400007-16	Wire Assembly	-	(Navigation Light Switch to Fuse)					1
	A-84	Terminal							1
43-17	0400005-17	Wire	-	(Tail Light - Switch to Fuselage)					1
43-18	0400005-18	Wire Assembly	-	(Wing Tip Light - Switch to Wingroot - Right)					1
	A-50	Terminal							1
43-19	0400005-19	Wire Assembly	-	(Wing Tip Light - Switch to Wingroot - Left)					1
	Note: Wires -17, -18, -19 Grouped At Switch With One C-36 Terminal								
43-23	0400007-23	Wire Assembly	-	(Landing Light Switch to Fuse - Left)					1
	A-84	Terminal							1
43-24	0400005-24	Wire Assembly	-	(Landing Light Switch to Wingroot - Left)					1
	A-50	Terminal							1
	A-84	Terminal							1
43-25	0400005-25	Wire Assembly	-	(Landing Light Switch to Wingroot - Left)					1
	A-50	Terminal							1
	A-84	Terminal							1
43-26	0400007-26	Wire	-	(Fuse to Radio)					1
43-27	0400007-27	Wire Assembly	-	(Radio to Load Coil)					1
	A-50	Terminal							1
43-29	0400007-29	Wire	-	(Radio to Phone Jack)					1
43-30	0400007-30	Wire	-	(Phone Jack Connecting)					1
43-31	0400007-31	Wire	-	(Radio to Speaker) (Standard on Serial 8933 & Up)					1
43-32	0400007-32	Wire	-	(Radio to Phone Jack)					1
43-33	0400007-33	Wire	-	(Radio to Phone Jack)					1
43-35	0400007-35	Wire Assembly	-	(Switch to Magneto - Right)					1
	A-84	Terminal							1
43-36	0400007-36	Wire Assembly	-	(Switch to Magneto - Left)					1
	A-84	Terminal							1
43-37	See Figure 7								
43-38	See Figure 3								
43-39	See Figure 3								
43-40	See Figure 3								
43-41	See Figure 13								
43-42	0400007-42	Wire Assembly	-	(Landing Light - Fuse to Wingroot - Left)					1
	C-50	Terminal							1
43-43	See Figure 3								
43-44	0400005-44	Wire Assembly	-	(Fuse to Landing Light Switch - Right)					1
	A-84	Terminal							1
43-45	0400005-45	Wire Assembly	-	(Landing Light - Fuse to Wingroot - Right) (Optional After Serial 9710)					1
	C-50	Terminal							1
43-46	See Figure 7								
43-47	0400005-47	Wire Assembly	-	(Landing Light - Switch to Wingroot - Right) (Optional After Serial 9710)					1

ORDER BY PART NUMBER AND NAME

SERIAL NUMBER AND COLOR IF APPLICABLE

FIGURE 43

ELECTRICAL WIRING DIAGRAM - 1947 & 1948 MODEL 140

FIGURE AND REF. NO.	PART NUMBER	PART NAME						UNITS REQUIRED ON MODELS	
		1	2	3	4	5	6	120	140
	A-84			Terminal					1
	A-50			Terminal					1
43-48	See Figure 7								
43-49	0400005-49			Wire Assembly - (Landing Light - Switch to Wingroot - Right) (Optional After Serial 9710)					1
	A-84			Terminal					1
	A-50			Terminal					1
43-50	See Figure 7								
43-51	0400005-51			Wire Assembly - (Tail Light - Fuselage Aft)					1
	A-50			Terminal					1
43-54	0400007-54			Wire Assembly - (Master Switch to Ground)					1
	A-84			Terminal					1
	A-36			Terminal					1
43-55	0400005-55			Wire Assembly - (Master Solenoid Terminal Connecting)					1
43-64	0400005-64			Wire Assembly - (Fuse to Rheostat)					1
	A-36			Terminal					1
43-65	0400007-65			Wire Assembly - (Rheostat to Panel Lights)					1
	A-50			Terminal					1
43-66	0400005-66			Wire Assembly - (Panel Lights)					1
	A-50			Terminal					1
43-68	0400007-68			Wire Assembly - (Fuse to Dome Light)					1
	B-33			Terminal					1
43-69	0400007-69			Wire Assembly - (Master Switch to Voltage Control)					1
	A-36			Terminal					1
	A-84			Terminal					1
43-71	0400005-71			Wire Assembly - (Radio to Ground)					1
	C-77			Terminal					2

FIGURE 44

FUEL SYSTEM AND OIL PRESSURE LINE

44-1	0400106-57	Line - (Strainer to Firewall Primer) (Serial 11843 & Up)						1	1
44-2	0400106-58	Line - (Firewall to Primer) (Intake) (Serial 11843 & Up)						1	
44-3	0400106-68	Line - (Primer to Firewall) (Outlet) (Serial 11843 & Up)						1	
44-4	A2980A-2	Clamp - Tinnerman						1	
	A1778-82-3	Nut - Tinnerman						1	
	EK76XZ-8-6	Screw						1	
44-5	0411751	Line - (Tank to Fuselage Fuel) - Left						1	1
44-6	0411751-1	Line - (Tank to Fuselage Fuel) - Right						1	1
44-7	0411752	Line - (Fuselage Fuel) - Left						1	1
44-8	49165	Harness Band - United Carr						1	1
44-9	0411752-1	Line - (Fuselage Fuel) - Right						1	1
44-10	49165	Harness Band - United Carr						1	1
44-11	0411753	Line - (Selector Valve Left Fuel) (Serial 8000-14339)						1	1
	0400106-73	Line - (Selector Valve Left Fuel) (Serial 14340 & Up)						1	1
44-12	0411754	Line - (Selector Valve Right Fuel)						1	1
44-13	0411788-3	Valve and Bracket Assembly - Fuel Selector						1	1
44-14	0411660	Bracket - Fuel Shut Off Valve						1	1
	0411716	Valve Assembly - Fuel Tank Selector						1	1
44-15	AN823-6D	Elbow - 45						3	3
44-16	44703	Valve - Imperial 1/4 x 1/4 x 1/4 1P						1	1
44-17	38481	Packing						2	2
44-18	28630	Top - Spring						1	1
44-19	22691	Spring						1	1
44-20	AN3-4A	Bolt						2	2
44-21	AN365-1032	Nut						2	2
44-22	AN526-832-7	Bolt						4	4
	AN365-832	Nut						4	4
44-23	0411789	Line - (Selector Valve to Coupling)						1	1
44-24	0411790	Line - (Coupling to Strainer Fuel)						1	1
44-25	0450246	Strainer Assembly - Fuel						1	1
44-26	AN816-6D	Nipple						1	1
44-27	AN826-6-4-2D	Tee						1	1
44-28	AN912-2D	Bushing						2	2
44-29	K2200B-3/8	Fuel Strainer - Kohler						1	1
	K2201B	Body - Fuel Strainer						1	1
44-30	K2205A	Screen Assembly - Fuel Strainer						1	1
44-31	K2215A	Spring - Fuel Strainer						1	1
44-32	K2213A	Yoke Assembly - Fuel Strainer						1	1
44-33	K2216A	Gasket - Fuel Strainer						1	1
44-34	K2214A	Cover - Glass - Fuel Strainer						1	1
44-35	K9000A-1	Drain Cock - Fuel Strainer						1	1
	K8000A-1	Drain Cock - Fuel Strainer - (Alternate)						1	1
44-36	AN4-14A	Bolt						2	2

ORDER BY PART NUMBER AND NAME

SERIAL NUMBER AND COLOR IF APPLICABLE

ILLUSTRATED PARTS CATALOG

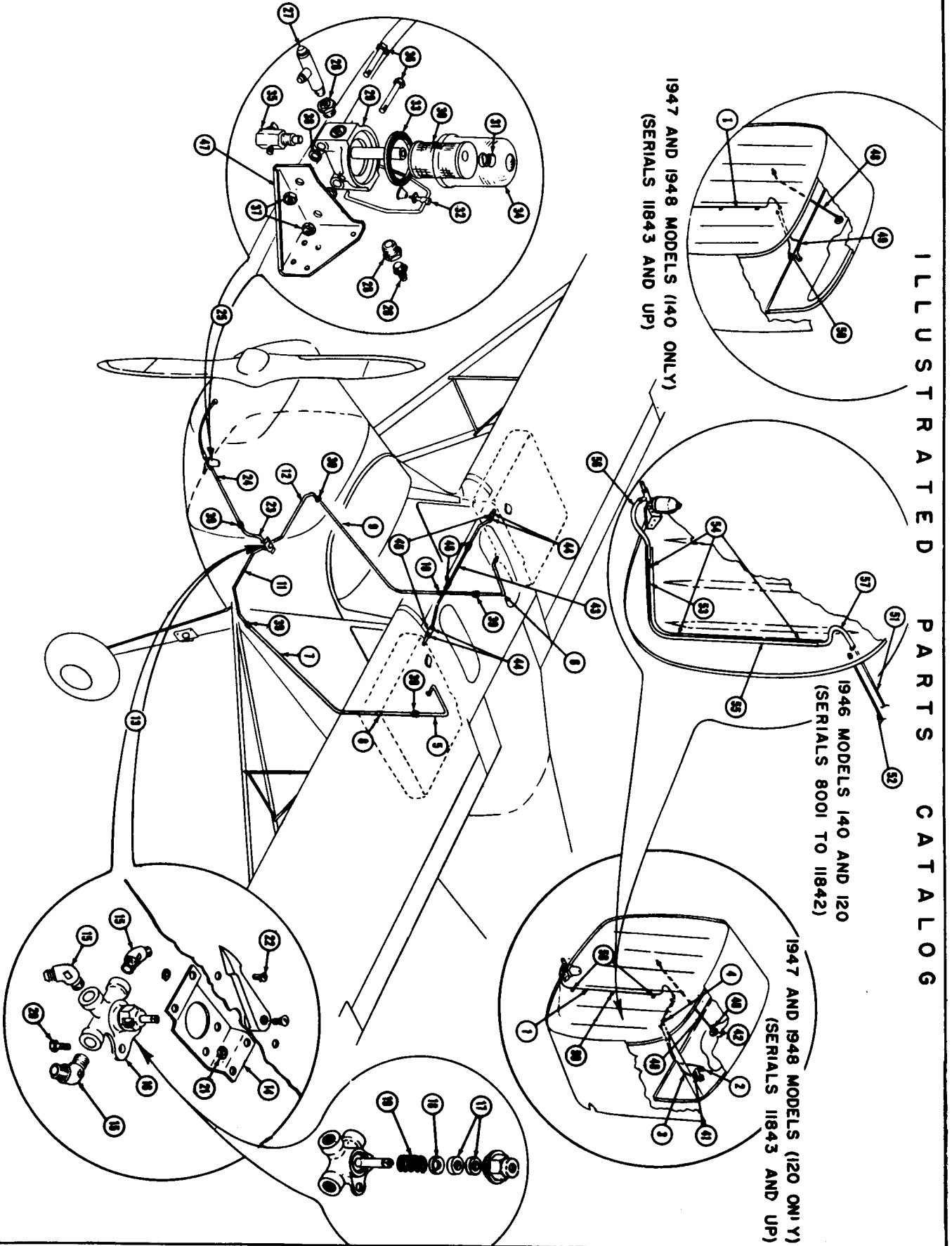


FIGURE 44 - FUEL SYSTEM (AND OIL PRESSURE LINE)

FIGURE 44

FUEL SYSTEM AND OIL PRESSURE LINE

FIGURE AND REF. NO.	PART NUMBER	PART NAME						UNITS REQUIRED ON MODELS	
		1	2	3	4	5	6	120	140
44-37	AN365-428	Nut						2	2
44-38	NAS43-4-6	Spacer						2	2
44-39	AN815-6D	Union						5	5
44-40	AN816-2D	Union						1	1
44-41	AN822-2D	Elbow - 90° - (One Req'd Lunkenheimer Primer Type 1164 or 1484, Two Req'd Imperial Primer Type 39222A, None Req'd Koehler Primer K2402-2)							
44-42	AN910-1D	Union						1	1
44-43	O400106-70	Tube						1	1
44-44	A3122-12-59	Clamp - Tinnerman - (Hose)						4	4
44-45	AN884-6-9	Hose						2	2
44-46	49165	Clamp - United Carr						2	2
44-47	O450111	Bracket - Fuel Strainer						1	1
44-48	O400106-29	Line - (Firewall to Gauge)						1	1
44-49	O400106-58	Line - (Firewall to Primer) (Intake) (Serial 11843 & Up)							1
44-50	O400106-59	Line - (Firewall to Primer) (Outlet) (Serial 11843 & Up)							1
44-51	O400106-14	Line - (Firewall to Primer) (Intake) (1484 or 1664 Lunkenheimer Primer)						1	1
	O400106-36	Line - (Firewall to Primer) (Intake) (39222A Imperial Primer)						1	1
	O400106-47	Line - (Firewall to Primer) (Intake) (K2402-2 Koehler Primer)						1	1
44-52	O400106-18	Line - (Primer to Firewall) (Outlet) (1484 or 1664 Lunkenheimer Primer)						1	1
	O400106-37	Line - (Primer to Firewall) (Outlet) (39222A Imperial Primer)						1	1
	O400106-7	Line - (Primer to Firewall) (Outlet) (K2402-2 Koehler Primer)						1	1
44-53	O400106-13	Line - (Strainer to Firewall Primer) (Serial 8000-10220)						1	1
	O400106-64	Line - (Strainer to Firewall Primer) (Serial 10221-11842)						1	1
44-54	A2980-2	Clamp - Tinnerman						3	3
	A1778-8Z-3	Nut - Tinnerman Speed						3	3
	PK76XZ-8-6	Screw						3	3
44-55	12001-191-2	Channel						1	1
44-56	12001-191-4	Tubing - Vinylite - (8" Length)						1	1
44-57	12001-191-6	Tubing - Vinylite - (6" Length)						1	1
44-58	A2980A-2	Clamp - Tinnerman						2	2
	A1778-8Z-3	Nut - Tinnerman Speed						2	2
	PK76XZ-8-6	Screw						2	2
44-59	A2981A-2	Clamp - Tinnerman						1	1
	A1778-8Z-3	Nut - Tinnerman Speed						1	1
	PK76XZ-8-6	Screw						1	1

FIGURE 45

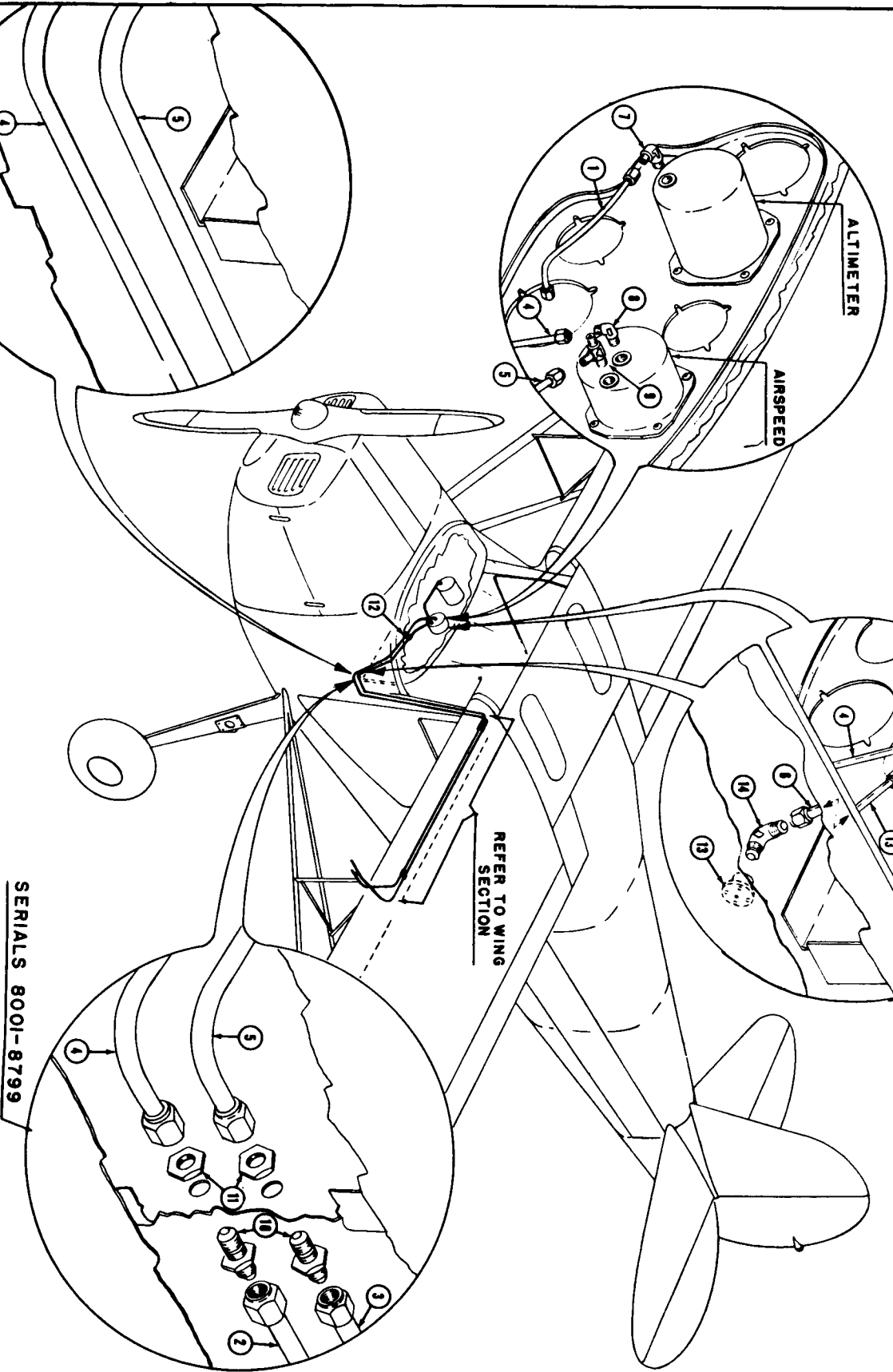
PITOT SYSTEM

45-1	O400106-33	Line - (Airspeed Indicator to Altimeter) (Used With 986-02 Kollsman Altimeter and 988-04 Kollsman Airspeed Indicator or 14A01 Pioneer Airspeed Indicator)						1	1
45-1	O400106-43	Line - (Airspeed Indicator to Altimeter) (Use With 986-02 Kollsman Altimeter and AW-2 3/4-16BAS U.S. Gage Airspeed Indicator)						1	1
45-2	O411832	Line - (Wingroot to Panel) (Serial 8001-8799)						1	1
45-3	O411833	Line - (Wingroot to Panel) (Serial 8001-8799)						1	1
45-4	O400106-25	Line - (Panel to Airspeed Indicator) (Serial 8001-8799) (Use With 988-04 Kollsman Airspeed Indicator)						1	1
	O400106-39	Line - (Panel to Airspeed Indicator) (Serial 8001-8799) (Use With 14A01 Pioneer Airspeed Indicator)						1	1
	O411873	Line - (Wingroot to Airspeed Indicator) (Serial 8800 & Up) (Use With 14A01 Pioneer Airspeed Indicator)						1	1
	O411894	Line - (Wingroot to Airspeed Indicator) (Serial 8800 & Up) (Use With AW-2 3/4-16BAS U.S. Gage Airspeed Indicator)						1	1
45-5	O400106-26	Line - (Panel to Airspeed Indicator) (Serial 8001-8799) (Use With 988-04 Kollsman Airspeed Indicator)						1	1
	O400106-40	Line - (Panel to Airspeed Indicator) (Serial 8001-8799) (Use With 14A01 Pioneer Airspeed Indicator)						1	1
	O411874	Line - (Wingroot to Airspeed Indicator) (Serial 8800-10299) (Use With 14A01 Pioneer Airspeed Indicator)						1	1
	O411895	Line - (Wingroot to Airspeed Indicator) (Serial 8800-10299) (Use With AW-2 3/4-16BAS U.S. Gage Airspeed Indicator)						1	1
45-6	O400106-50	Line - (Airspeed Indicator to Fuselage Skin) (Serial 10300 & Up) (Use With AW-2 3/4-16BAS U.S. Gage Airspeed Indicator)						1	1
	O400106-51	Line - (Airspeed Indicator to Fuselage Skin) (Serial 10300 & Up) (Use With 14A01 Pioneer Airspeed Indicator)						1	1
45-7	AN822-4D	Elbow						1	1
45-8	AN823-4D	Elbow						1	1
45-9	AN826-4D	Tee						1	1
45-10	AN832-4D	Union - (Serial 8001-8799)						2	2
45-11	AN924-4D	Nut - (Serial 8001-8799)						2	2
45-12	O400201-3	Clamp Assembly - Pitot Line - Left Panel						1	1

ORDER BY PART NUMBER AND NAME

SERIAL NUMBER AND COLOR IF APPLICABLE

SERIALS 10,300 & UP



SERIALS 8800-10,299

SERIALS 8001-8799

REFER TO WING SECTION

FIGURE 45 - PITOT SYSTEM

FIGURE 45

PITOT SYSTEM

FIGURE AND REF. NO.	PART NUMBER	PART NAME	UNITS REQUIRED ON MODELS	
			120	140
	0400201-4	Bracket - Pitot Line Clamp	1	1
	49161	Clamp - United Carr	1	1
45-13	0413137	See Figure 17		
45-14	AN823-4D	See Figure 17		

FIGURE 46

AILERON CONTROL SYSTEM

FIGURE AND REF. NO.	PART NUMBER	PART NAME	UNITS REQUIRED ON MODELS	
			120	140
46-1	0411051	Chain Assembly - Aileron Control	1	1
	0411051-4	Chain - Aileron Control - (American Cahin Mfg. Std. #35)	2	2
	AN155-328	Barrel - Turnbuckle	1	1
	NAS-288-35LH	Terminal	1	1
	NAS-288-35RH	Terminal	1	1
	AN392-13	Pin - Flathead	2	2
	AN380-2-1	Pin - Cotter	2	2
46-2	A-114	Pulley - Formica	2	2
	0411521	Bushing	1	1
	AN960-416	Washer	2	2
	0411232	Guard - Aileron Control Tee	1	1
	AN4-33A	Bolt	1	1
	AN365-428	Nut	1	1
46-3	A-114	Pulley - Formica	2	2
	0411489	Bushing	2	2
	0411421-6	Guard - Cable	4	4
	AN4-43A	Bolt	1	1
	AN365-428	Nut	2	2
	AN960-416	Washer	2	2
	NAS-43DD4-152	Bushing	1	1
46-4	A-130	Pulley - Formica	2	2
	0411489	Bushing	2	2
	0411421-2	Guard - Cable	2	2
	AN4-10A	Bolt	2	2
	AN365-428	Nut	2	2
46-5	A-114	Pulley - Formica	2	2
	0411489	Bushing	2	2
	0411421-6	Guard - Cable	4	4
	AN4-10A	Bolt	2	2
	AN365-428	Nut	2	2
46-6	A-114	Pulley - Formica	2	2
	0411489	Bushing	2	2
	0411421-6	Guard - Cable	4	4
	AN4-10A	Bolt	2	2
	AN365-428	Nut	2	2
46-7	A-114	Pulley - Formica	2	2
	0411489	Bushing	2	2
	0411421-6	Guard - Cable	4	4
	AN4-10A	Bolt	2	2
	AN365-428	Nut	2	2
46-8	F-140	Pulley - Formica	1	1
	0411783	Bushing	1	1
	0411654	Guard - Aileron Carry Thru Cable Bracket	1	1
	AN3-7A	Bolt	1	1
46-9	0400107-1	Cable - Wheel to Aileron	2	2
46-10	AN155-328	Barrel - Turnbuckle	2	2
	AN161-32LL	Eye - Turnbuckle	2	2
	AN3-10A	Bolt	2	2
	AN365-1032	Nut	2	2
	AN960-10	Washer	2	2
46-11	0400107-2	Cable - Aileron Carry Thru	1	1
46-12	AN155-328	Barrel Turnbuckle - (Right Side Only)	1	1
	AN165-32L	Eye - Turnbuckle - (Right Side Only)	1	1
	0422300	Bolt - Aileron Bellcrank	2	2
46-13	0411880	Bar Assembly - Control Tee Follow Thru	1	1
46-14	0411881	Tube Assembly - Control Tee Follow Thru	1	1
	AN365-428	Nut	1	1
	AN392-17	Pin - Flathead	2	2
	AN380-2-1	Pin - Cotter	2	2

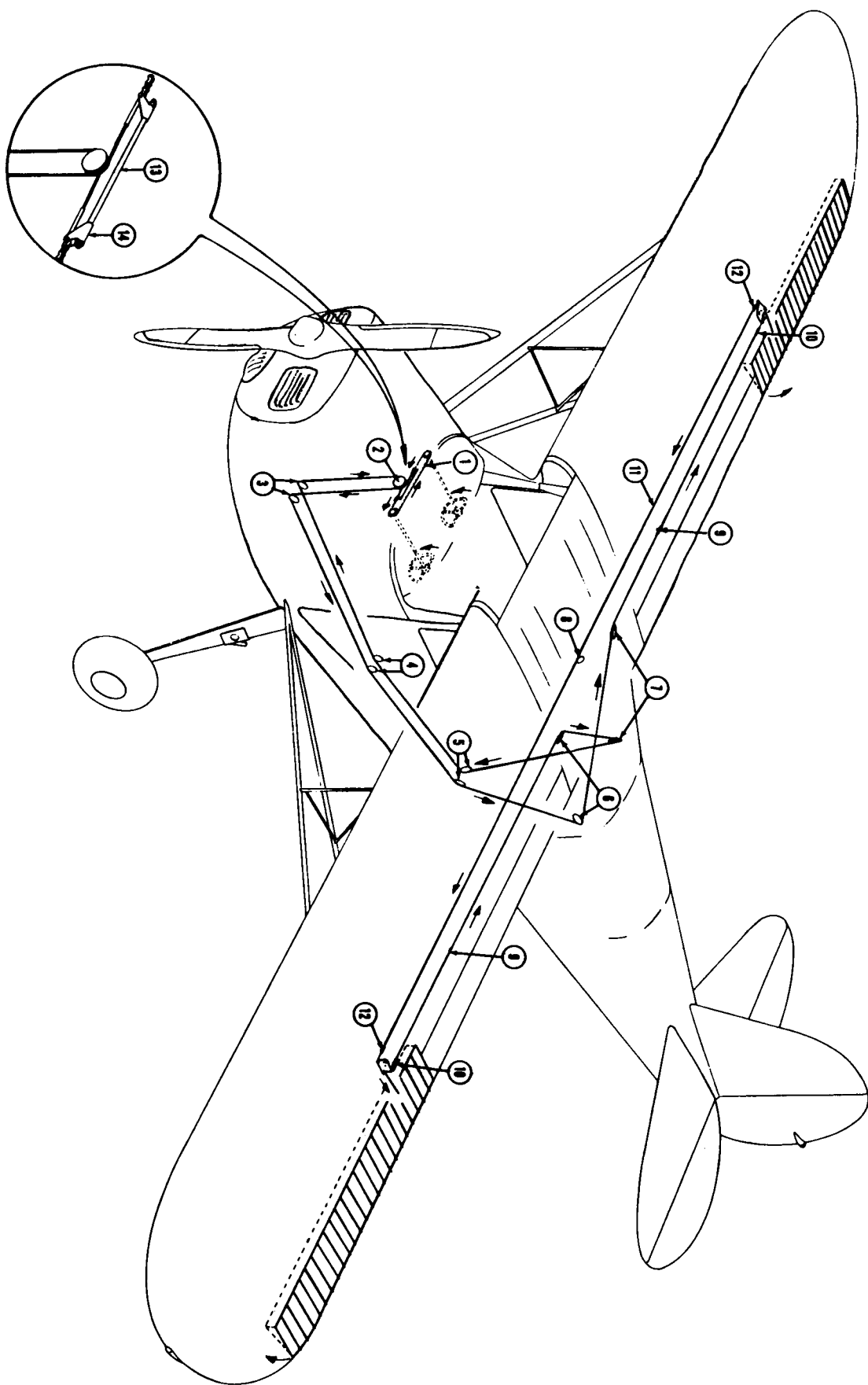


FIGURE 46 -AILERON CONTROL SYSTEM

FIGURE 47

ELEVATOR CONTROL SYSTEM

FIGURE AND REF. NO.	PART NUMBER	PART NAME	UNITS REQUIRED ON MODELS	
			120	140
47-1	0411600	Link - Turnbuckle Connector		
	AN23-10	Bolt - Clevis	2	2
	AN23-11	Bolt - Clevis	2	2
	AN310-3	Nut	2	2
	AN380-2-2	Pin - Cotter	4	4
	AN161-22RL	Fork - Turnbuckle	4	4
	AN161-22RS	Fork - Turnbuckle	1	1
47-2	AN155-32S	Barrel - Turnbuckle	1	1
47-3	A-130	Pulley - Formica	2	2
	0411489	Bushing	2	2
	0411421-2	Guard - Cable	2	2
	AN4-10A	Bolt	2	2
	AN365-428	Nut	2	2
47-4	0400107-5	Cable - Elevator Control - Up	2	2
47-5	0400107-9	Cable - Elevator Control - Down	1	1
47-6	A-130	Pulley - Formica	1	1
	0411489	Bushing	2	2
	0411421-2	Guard - Cable	2	2
	AN4-10A	Bolt	2	2
	AN365-428	Nut	2	2
47-7	AN23-9	Bolt - Clevis	2	2
	AN320-3	Nut	2	2
	AN380-2-2	Pin - Cotter	2	2
47-8	0411671	Bracket - Elevator Control - (Sta. 56.69) - Pulley Right	2	2
	AN526-1032R6	Screw	1	1
	AN365-1032	Nut	2	2

FIGURE 48

ELEVATOR TAB CONTROL SYSTEM

48-1	0411427	Shaft Assembly - Tab Control	1	1
	0411877	Wheel - Elevator Tab Control	1	1
	0411426	Shaft - Tab Control	1	1
	0432134	Sprocket - Elevator Tab Actuator	1	1
	AN420-3-10P	Rivet	1	1
48-2	0411419	Cover Assembly - Tab Control Mechanism - Right	2	2
	0411422	Decal - Tab Position Indicator	1	1
48-3	M-451	Bearing - Torrington	1	1
48-4	AN526-832-R6	Screw	1	1
48-5	PK76XZ-8-6	Screw	4	4
	A1274-8Z-3	Nut - Tinnerman	1	1
48-6	0432138-1	Chain - Elevator Tab - (#25 Diamond Chain XCDR-1189) (15 1/4" Length)	2	2
48-7	A-138	Pulley - Formica	1	1
	0411491	Bushing - Pulley	2	2
	AN380-3-4	Pin - Cotter - (Cable Guard)	1	1
	AN3-10A	Bolt	1	1
	AN365-1032	Nut	1	1
48-8	0400107-8	Cable - Tab Control - Forward	1	1
48-9	AN155-8S	Barrel - Turnbuckle	1	1
48-10	0400107-7	Cable - Elevator Tab Control - Aft	1	1
48-11	0400107-11	Cable - Elevator Tab Control Carry Thru - Forward - (Serial 12891 & Up and All Spares)	1	1
48-12	AN3-4	Bolt - (Serial 12891 & Up and All Spares)	1	1
	AN310-3	Nut - (Serial 12891 & Up and All Spares)	1	1
	AN380-2-2	Key - Cotter - (Serial 12891 & Up and All Spares)	1	1
48-13	0400107-12	Cable - Elevator Tab Control Carry Thru - Aft - (Serial 12891 & Up and All Spares)	1	1
48-14	0411522	Stop - Elevator Trim Tab	1	1
	0411523	Block - Elevator Tab Stop	3	3
	0411524	Bushing - Elevator Tab Stop	1	1
	AN503-8-12	Screw	1	1
48-15	A-138	Pulley - Formica	4	4
	0411491	Bushing	2	2
	AN3-10A	Bolt	2	2
	AN960-416L	Washer	2	2
	AN365-1032	Nut	2	2
48-16	A-138	Pulley - Formica	2	2
	0411491	Bushing	2	2
	AN3-11A	Bolt	1	1
	AN960-10	Washer	2	2
	AN960-416	Washer	2	2
	AN365-1032	Nut	1	1
	AN380-4-5	Pin - Cotter	1	1

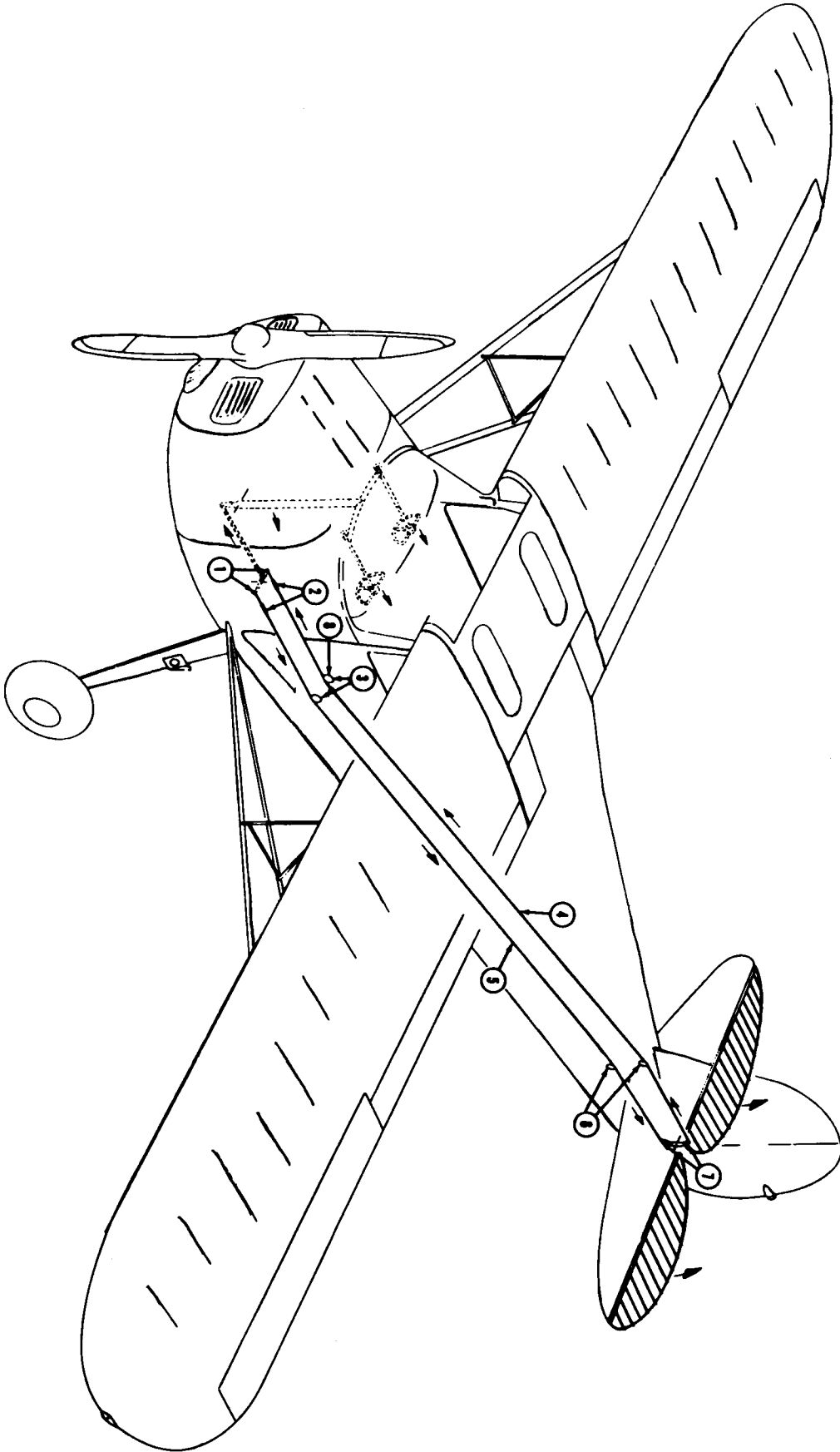


FIGURE 47 -ELEVATOR CONTROL SYSTEM

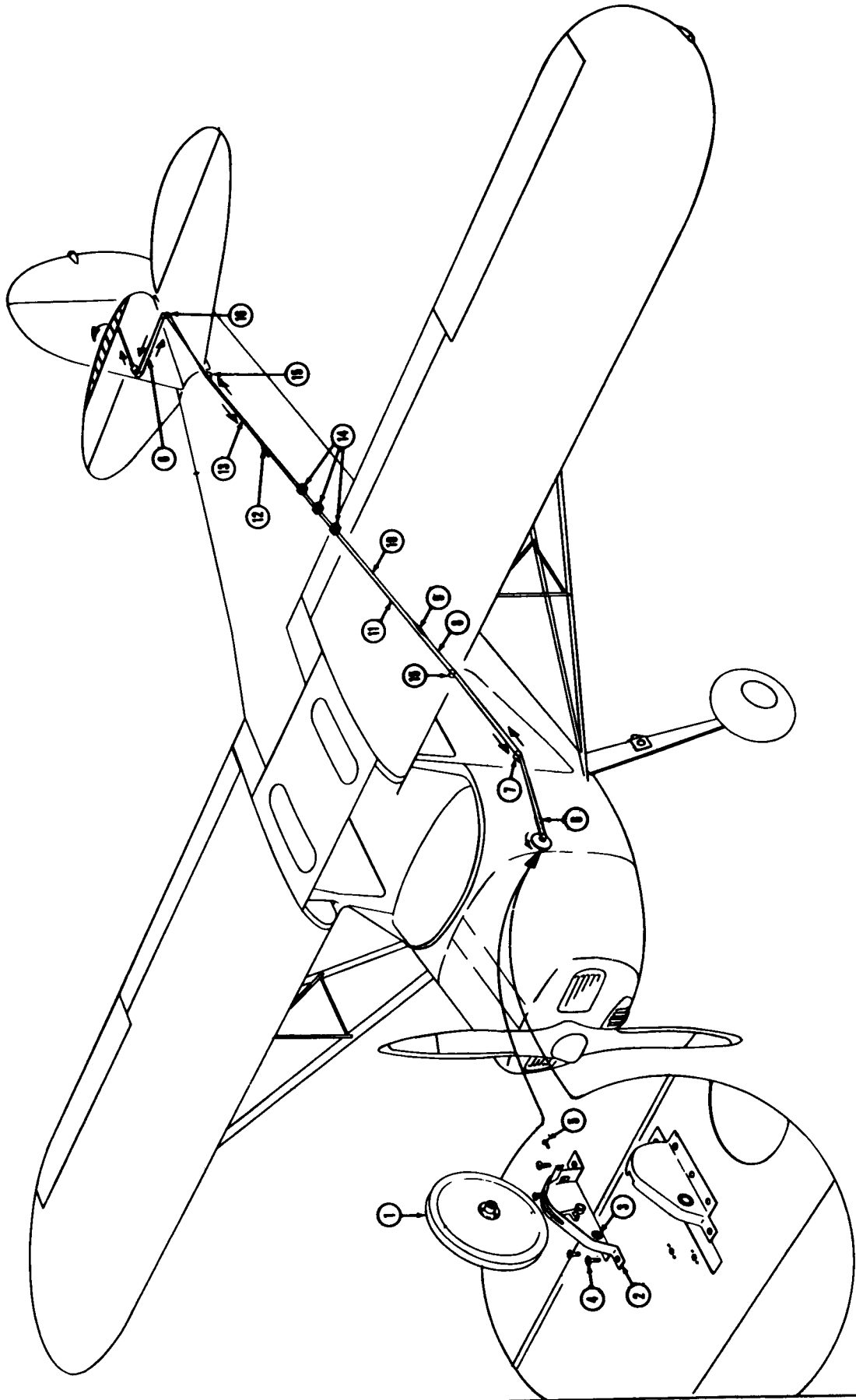


FIGURE 48 - ELEVATOR TAB CONTROL SYSTEM

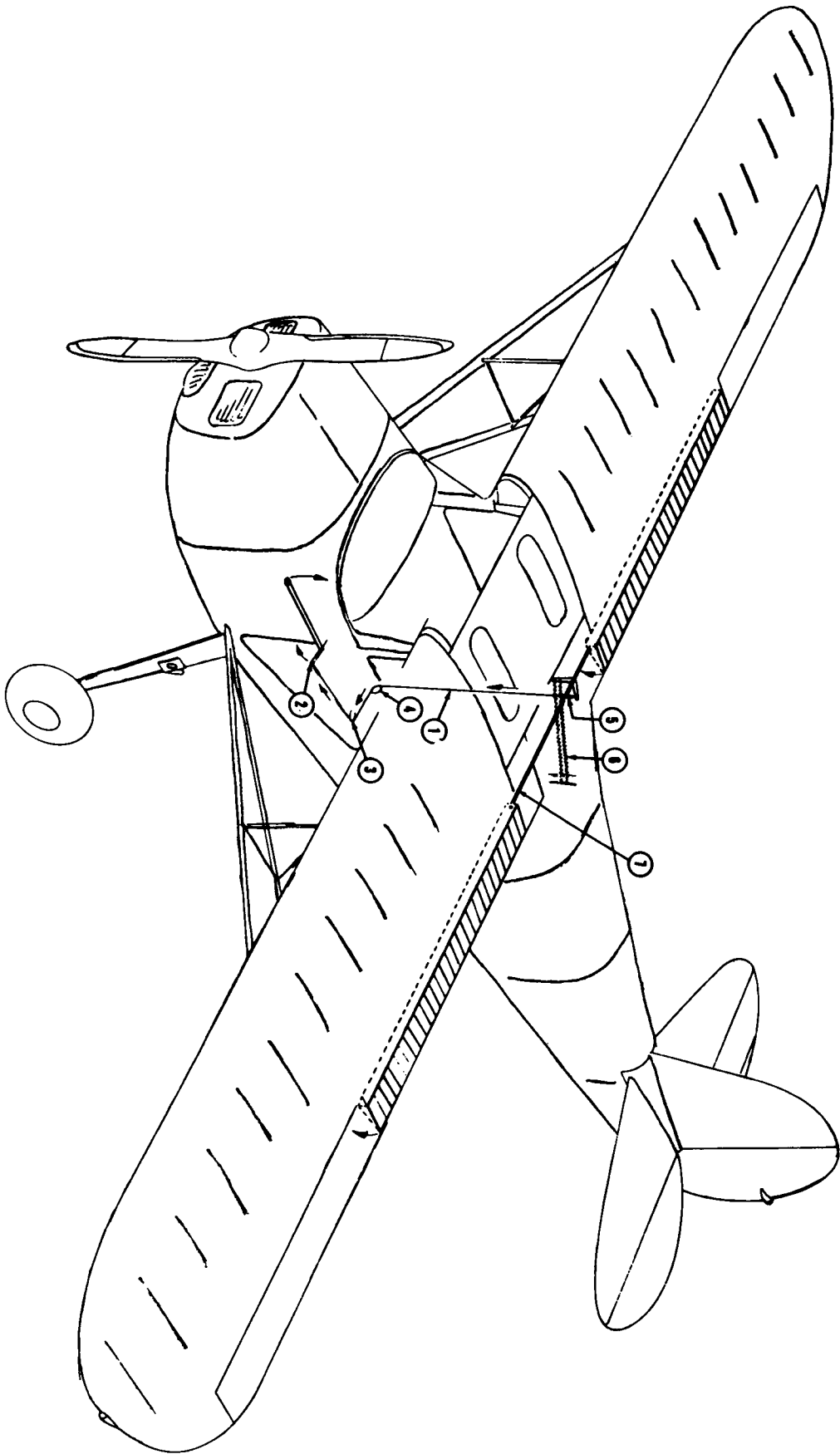


FIGURE 49-FLAP CONTROL SYSTEM



FIGURE 49

FLAP CONTROL SYSTEM

FIGURE AND REF. NO.	PART NUMBER	PART NAME						UNITS REQUIRED ON MODELS	
		1	2	3	4	5	6	120	140
49-1	0400107-3	Cable - Flap Control - (Serial 8001-10069)							1
	0400107-10	Cable - Flap Control - (Serial 10070 & Up)							1
49-2	AN23-11	Bolt - Clevis							1
	AN310-3	Nut							1
	AN380-2-2	Pin - Cotter							1
49-3	A-124	Pulley - Formica							1
	0411490	Bushing							1
	0411421-4	Guard - Cable							2
	AN3-6A	Bolt							1
	AN365-1032	Nut							1
	A-124	Pulley							1
49-4	0411490	Bushing							1
	0411421-4	Guard - Cable							2
	AN3-6A	Bolt							1
	AN365-1032	Nut							1
	AN23-10	Bolt - Clevis							1
	AN310-3	Nut							1
49-5	AN380-2-2	Pin - Cotter							1
	0411466	Spring - Flap Return							2
49-6	0411340	Torque Tube Assembly							1
	0411339	Bellcrank Assembly - Flap							1
	0411341	Tube - Flap Control Connecting							1
	AN4-12A	Bolt							1
	AN365-428	Nut							1

FIGURE 50

RUDDER CONTROL SYSTEM

50-1	0411600	Link - Turnbuckle Connector						2	2
	AN161-22RS	Fork - Turnbuckle						2	2
	AN23-10	Bolt						2	2
	AN23-11	Bolt						2	2
50-2	AN310-3	Nut						4	4
	AN380-2-2	Pin - Cotter						4	4
	AN155-32B	Barrel - Turnbuckle - Left Cable						1	1
	AN155-32L	Barrel - Turnbuckle						1	1
	A-130	Pulley - Formica						2	2
50-3	0411489	Bushing						2	2
	0411421-2	Guard - Cable						2	2
	AN4-10A	Bolt						2	2
	AN365-428	Nut						2	2
50-4	A-130	Pulley - Formica						2	2
	0411489	Bushing						2	2
	0411421-2	Guard - Cable						2	2
	AN4-10A	Bolt						2	2
50-5	AN365-428	Nut						2	2
	0400107-4	Cable - Rudder Control						2	2
50-6	2596	Bushing - Rudder Control Fairlead - (Cessna Print 0412006)						1	1
50-7	#6	Fairlead - Formica						1	4
50-8	AN23-11	Bolt						2	2
	AN310-3	Nut						2	2
	AN380-2-2	Pin - Cotter						2	2
50-9	0412168	Fairlead - Rudder Cable - Right - (Sta. 95.00)						1	1
	PK76XZ-8-6	Screw						3	3
	A1778-8Z-3	Nut						3	3

ORDER BY PART NUMBER AND NAME

SERIAL NUMBER AND COLOR IF APPLICABLE

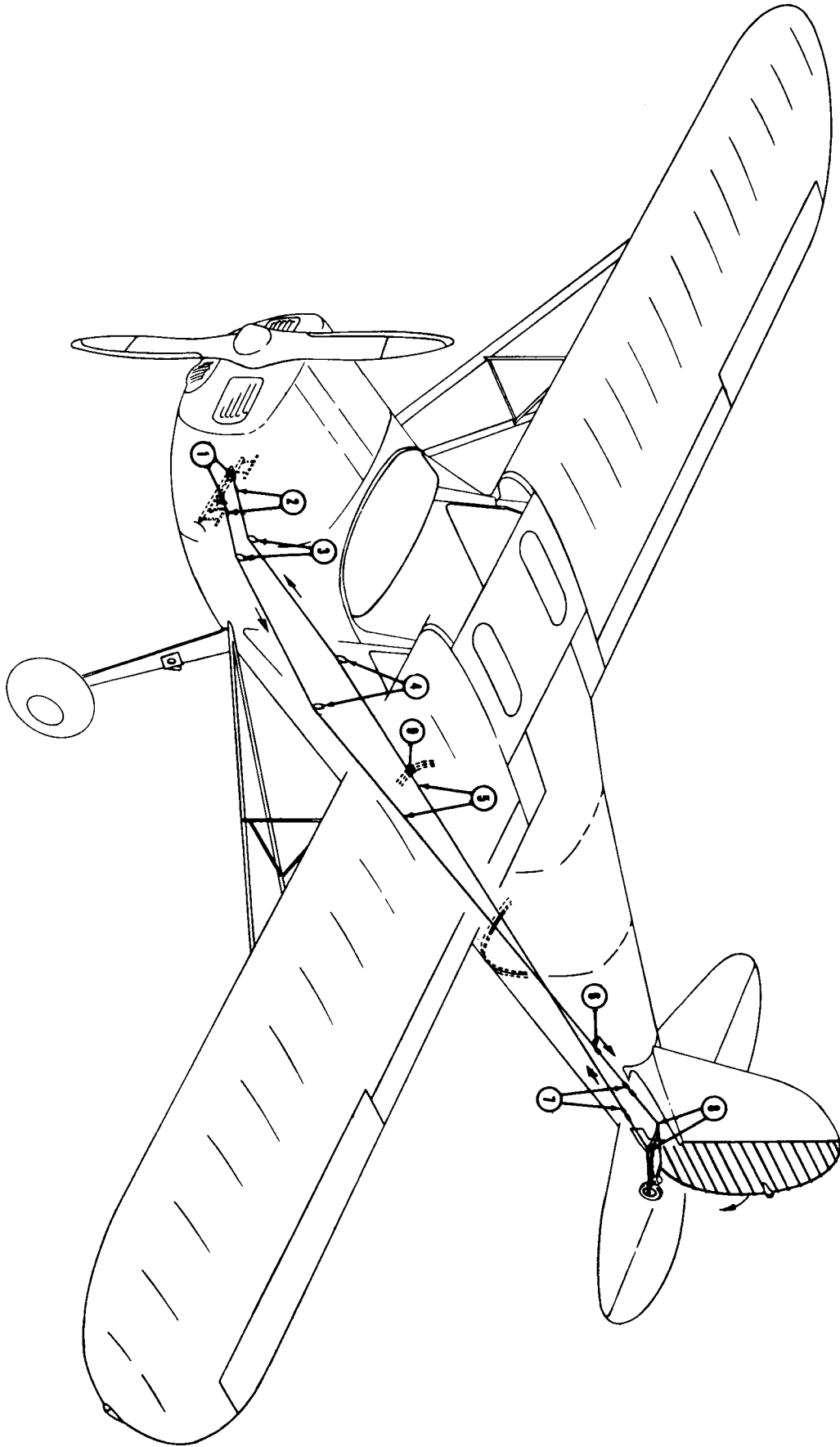
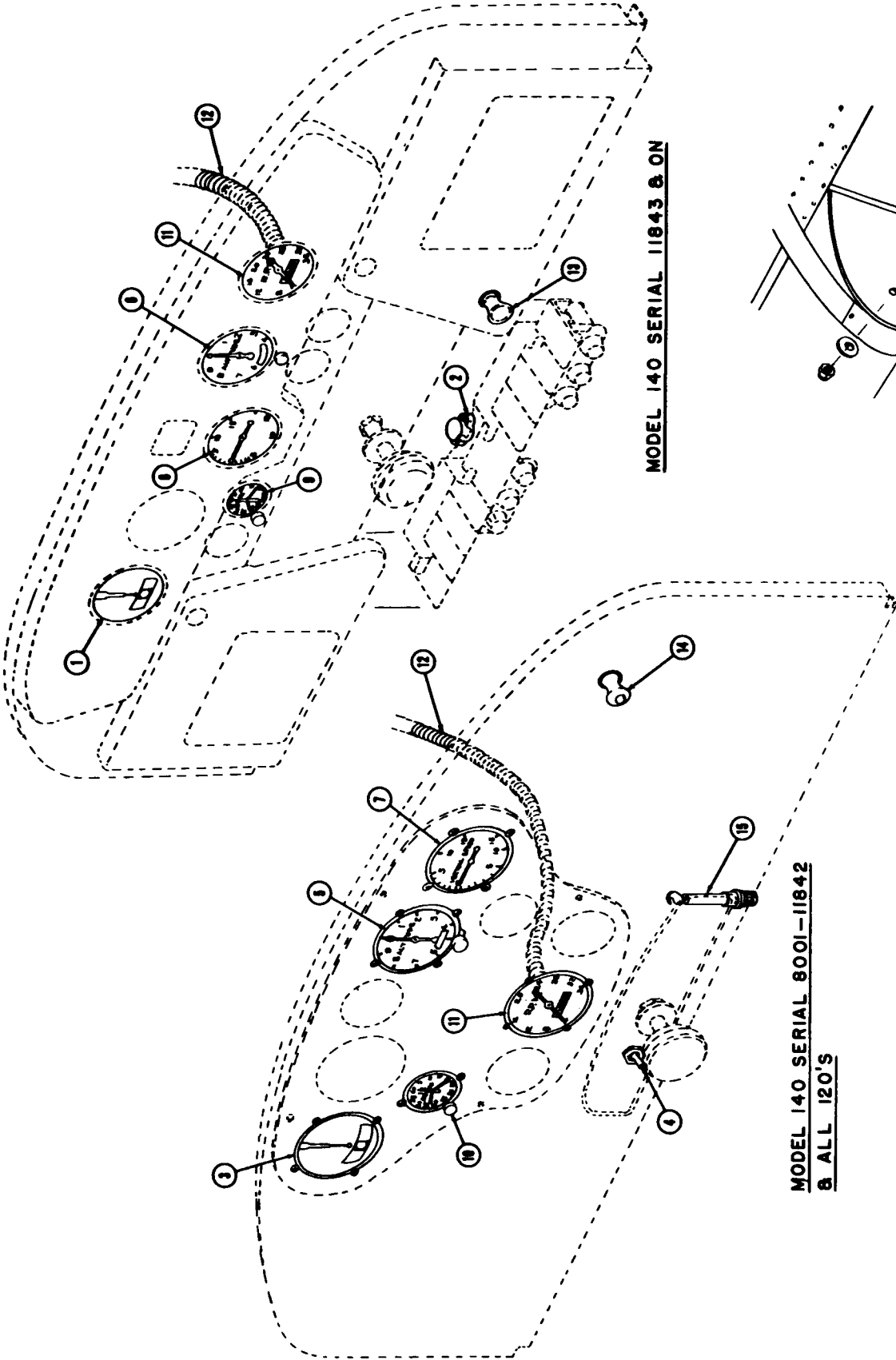


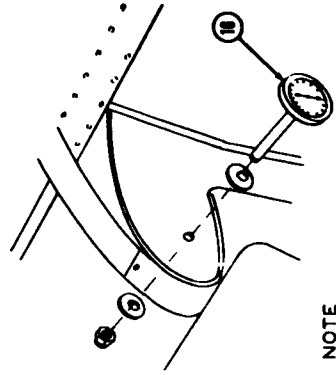
FIGURE 50 - RUDDER CONTROL SYSTEM

OPTIONAL EQUIPMENT



MODEL 140 SERIAL 8001-11842
& ALL 120'S

MODEL 140 SERIAL 11843 & ON



NOTE
ON AIRPLANES WITH CABIN VENTILATORS
INSTALL IN PLACE OF KNOB

FIGURE 51- OPTIONAL INSTRUMENTS

ILLUSTRATED PARTS CATALOG

FIGURE 51

OPTIONAL EQUIPMENT - INSTRUMENTS

FIGURE AND REF. NO.	PART NUMBER	PART NAME	UNITS REQUIRED ON MODELS	
			120	140
	52-3-74	Installation Kit - (Turn & Bank Indicator) (1947 & 1948 Model 140)		1
51-1	27200-15	Indicator - Turn & Bank		1
51-2	CA-2	Circuit Breaker - (Automatic Reset) (Klixon)		1
	AN515-8R12	Screw - (Attach Circuit Breaker)		2
	AN340-8	Nut - (Attach Circuit Breaker)		2
	AN936-A8	Washer - (Attach Circuit Breaker)		2
	0400007-4	Wire - Ground to Turn & Bank Indicator		1
	0400007-15	Wire - Switch to Turn & Bank Indicator		1
	52-3-26	Installation Kit - (Turn & Bank Indicator) (1946 Model 140)		1
51-3	27200	Indicator - Turn & Bank		1
51-4	8801K-7	Switch - Turn & Bank - (Cutler Hammer)		1
	0400005-4	Wire - Ground to Turn & Bank Indicator		1
	0400005-15	Wire - Switch to Turn & Bank Indicator		1
	52-3-108	Installation Kit - (Turn & Bank Indicator) (Model 120)	1	
51-3	27200	Indicator - Turn & Bank	1	
51-4	8801K-7	Switch - Turn & Bank Indicator - (Cutler Hammer)	1	
	0400005-4	Wire - Ground to Turn & Bank Indicator	1	
	0400005-14	Wire - Switch to Fuse	1	
	0400005-15	Wire - Switch to Turn & Bank Indicator	1	
51-5	987-031	Altimeter - Kollsman - (Sensitive) (1946 Model 140 and All Model 120's)	1	1
51-6	987-16-031	Altimeter - Kollsman - (Sensitive) (1947 & 1948 Model 140)		1
51-7	991-023	Indicator - Vertical Speed (Kollsman) (1946 Model 140 & All Model 120's)	1	1
51-8	991-16-01	Indicator - Vertical Speed (Kollsman) (1947 & 1948 Model 140)		1
51-9	9J-228	Clock - Waltham - (1947 & 1948 Model 140)		1
51-10	9J-22	Clock - Waltham - (1946 Model 140 and All Model 120's)	1	1
	52-3-124	Installation Kit - Recording Tachometer - (C-85 Engine)		
51-11	0411087-4	Recording Tachometer	1	1
51-12	0450017-8	Shaft Assembly - Recording Tachometer	1	1
	52-3-125	Installation Kit - Recording Tachometer - (C-90 Engine)		
51-11	0411087-5	Recording Tachometer		1
51-12	0450017-8	Shaft Assembly - Recording Tachometer		1
	52-3-85	Installation Kit - Cigarette Lighter - (Model 140)		1
51-13	0411094	Lighter - Cigarette - (Complete)		1
	0411094-2	Heater Unit - Cigarette Lighter		1
	4AG-109B	Fuse - 25 Amp		1
	52-3-97	Installation Kit - Cigarette Lighter - (Model 120)	1	
51-14	0411094	Lighter - Cigarette - (Complete)	1	
	0411094-2	Heater Unit - Cigarette Lighter	1	
51-15	4AG442001	Fuse Retainer	1	
	4AG-109B	Fuse - 25 Amp	1	
	0400005-34	Wire - Lighter to Fuse	1	
	B-B	Terminal - Lighter to Fuse Wire	1	
	52-3-11	Installation Kit - Outside Air Temperature Gauge	1	1
51-16	Model A	Gauge - Temperature - (Scott)	1	1
	AN365-524	Nut - (Attach Temperature Gauge)	1	1

ORDER BY PART NUMBER AND NAME

SERIAL NUMBER AND COLOR IF APPLICABLE

ILLUSTRATED PARTS CATALOG
OPTIONAL EQUIPMENT

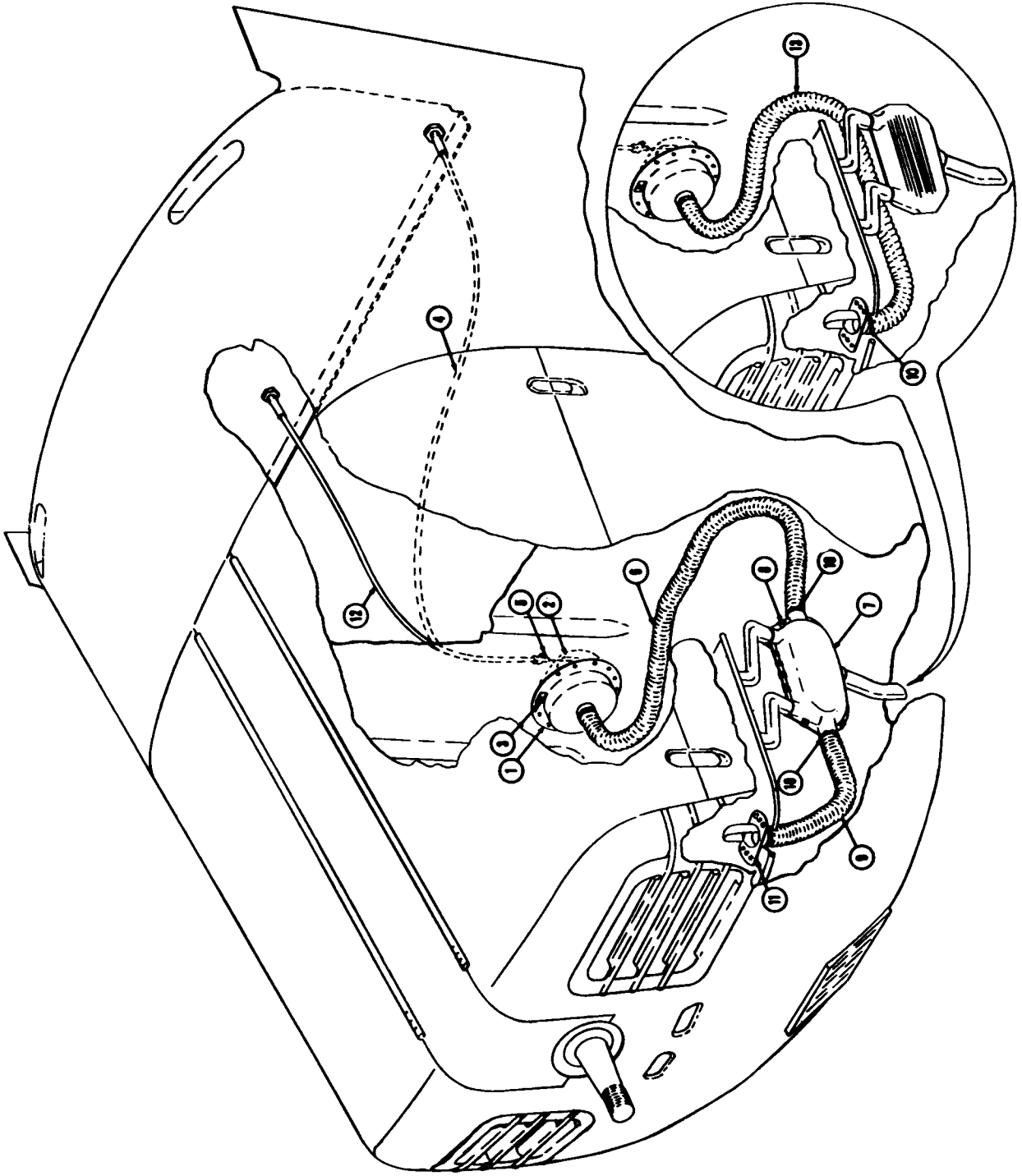


FIGURE 52 COLD AIR AND HEATER INSTALLATION 1947 & 1948 MODEL

ILLUSTRATED PARTS CATALOG



FIGURE 52 OPTIONAL EQUIPMENT - CABIN HEATER AND COLD AIR - 1947 & 1948 MODEL

FIGURE AND REF. NO.	PART NUMBER	PART NAME	UNITS REQUIRED ON MODELS	
			120	140
	52-3-68	Installation Kit - Cabin Heater - (1947 & 1948 Model) (Serial 11843 & Up)	1	
52-1	0411773	Plate - Heater Outlet Cover	1	
52-2	0450247	Valve Assembly - Cabin Heater	1	
	0411824	Deflector - Cabin Heater	1	
52-3	PK76XZ-6-8	Screw - (Attach Cabin Heater Valve)	12	
	PK76XZ-8-8	Screw - (Attach Cabin Heater Valve)	4	
	A1777-6Z-3	Nut - Tinnerman	12	
	A1778-8Z-3	Nut - Tinnerman	4	
52-4	840121-789	Control - Cabin Heater - (Cessna Print 0411052)	1	
52-5	A2980A-3	Clamp - Tinnerman - (Attach Heater Control)	1	
	A1778-8Z-3	Nut - Tinnerman	1	
	PK76XZ-8-8	Screw - (Attach Heater Control Clamp)	1	
52-6	0450116-4	Hose - Heater Muff to Cabin Heater Valve - (24" Length)	1	
52-7	0450298	Muff - Heater - Half	2	
52-8	A1022-8A-4	Nut - Tinnerman	11	
	PK76XZ-8-8	Screw - (Attach Muffs to Muffler)	11	
52-9	0450116-5	Hose - Air Scoop to Heater Muff - (9 1/2" Length)	1	
52-10	A3499-32-4	Clamp - Tinnerman	4	
52-11	0450266	Scoop Assembly - Cabin Heater Air Intake	1	
	AN442AD3-4	Rivet - (Attach Air Scoop to Baffle)	6	
	52-3-69	Installation Kit - Cabin Heater - (1947 & 1948 Model) (Serial 11843 & Up)		1
52-1	0411773	Plate - Heater Outlet Cover	1	1
52-2	0450247	Valve Assembly - Cabin Heater	1	1
	0411824	Deflector - Cabin Heater	1	1
52-3	PK76XZ-6-8	Screw - (Attach Cabin Heater Valve)	12	12
	PK76XZ-8-8	Screw - (Attach Cabin Heater Valve)	4	4
	A1777-6Z-3	Nut - Tinnerman	12	12
	A1778-8Z-3	Nut - Tinnerman	4	4
52-5	A2980A-3	Clamp - Tinnerman - (Attach Heater Control)	1	1
	A1778-8Z-3	Nut - Tinnerman	1	1
	PK76XZ-8-8	Screw - (Attach Heater Control Clamp)	1	1
52-6	0450116-4	Hose - Heater Muff to Cabin Heater Valve - (24" Length)	1	1
52-7	0450298	Muff - Heater - Half	2	2
52-8	A1022-8A-4	Nut - Tinnerman	11	11
	PK76XZ-8-8	Screw - (Attach Muffs to Muffler)	11	11
52-9	0450116-5	Hose - Air Scoop to Heater Muff - (9 1/2" Length)	1	1
52-10	A3499-32-3	Clamp - Tinnerman	4	4
52-11	0450266	Scoop Assembly - Cabin Heater Air Intake	1	1
	AN442AD3-4	Rivet - (Attach Air Scoop to Baffle)	6	6
52-12	0411090-1	Control - Cabin Heater Push Pull	1	1
52-13	0450320-3	Hose Cold Air Connection	1	1

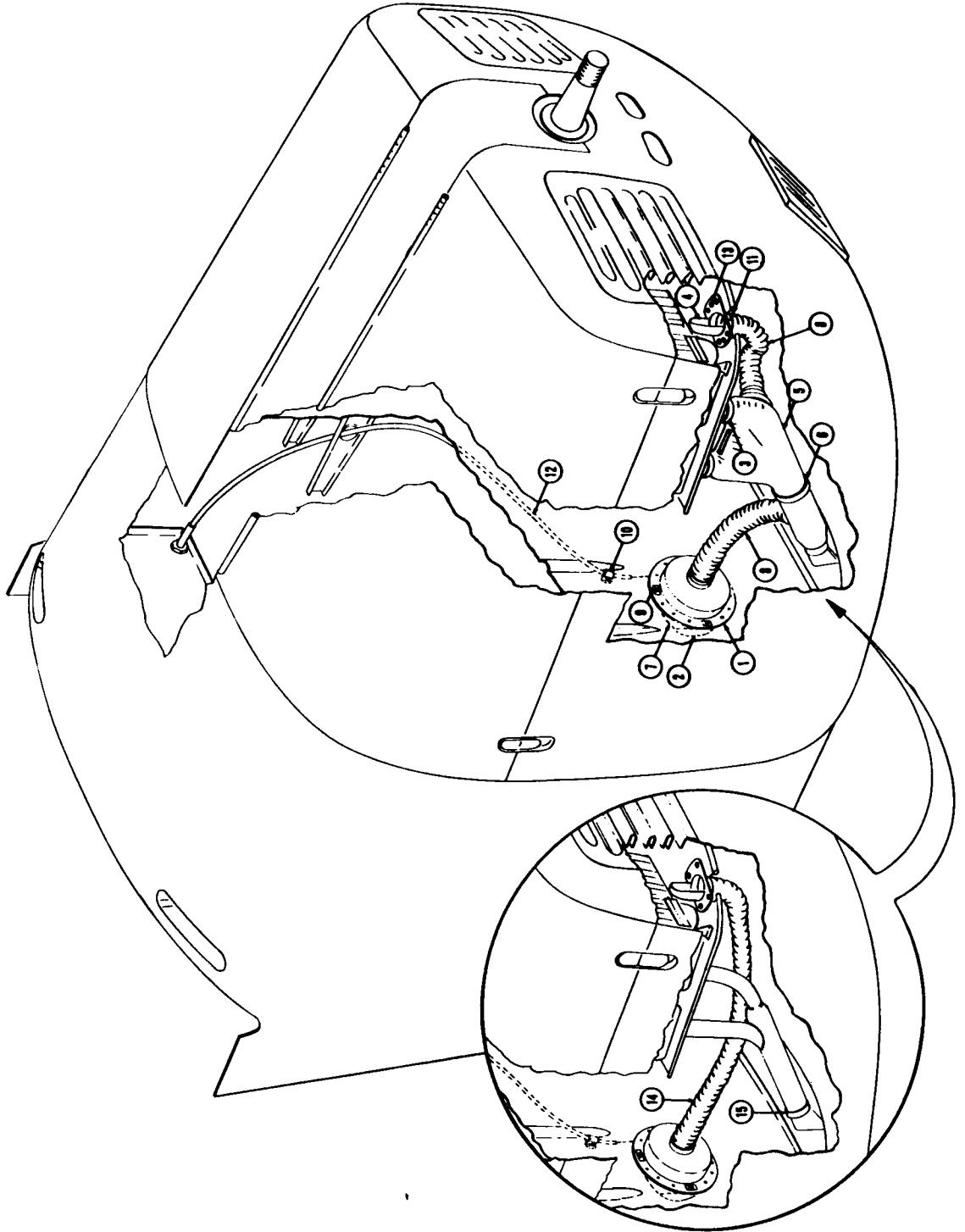
FIGURE 53 CABIN HEATER AND COLD AIR - 1946 MODEL

	52-3-16	Installation Kit - Cabin Heater	1	1
53-1	0411773	Plate - Heater Outlet Cover	1	1
53-2	0411824	Deflector - Cabin Heat	1	1
53-3	A3122-30-59	Clamp - Tinnerman - (Heater Muff)	2	2
53-4	0450266	Scoop Assembly - Cabin Heater Air Intake	1	1
53-5	0450198	Muff Assembly - Cabin Heater	1	1
53-6	A3122-58-59	Clamp - Tinnerman - (Muff Lower)	1	1
53-7	0450247	Valve Assembly - Cabin Heater	1	1
53-8	0450320-4	Hose - Hot Air Connection	2	2
53-9	PK76XZ-6-8	Screw	12	12
	PK76XZ-8-8	Screw	6	6
	A1777-6Z-3	Nut - Tinnerman	12	12
	A1778-8Z-3	Nut - Tinnerman	6	6
53-10	A2980A-3	Clamp - Tinnerman	2	2
53-11	A3499-34-3	Clamp - Tinnerman	4	4
53-12	840121-789	Control - Cabin Heater - (Cessna Print 0411052)	1	1
53-13	AN442AD3-4	Rivet	6	6
53-14	0450320-3	Hose - Cold Air Connection	1	1
53-15	0450223-1	Seal - Heater Muff	2	2

ORDER BY PART NUMBER AND NAME

SERIAL NUMBER AND COLOR IF APPLICABLE

ILLUSTRATED PARTS CATALOG
OPTIONAL EQUIPMENT



1946 MODEL ONLY

FIGURE 53 - COLD AIR AND HEATER ASSEMBLY

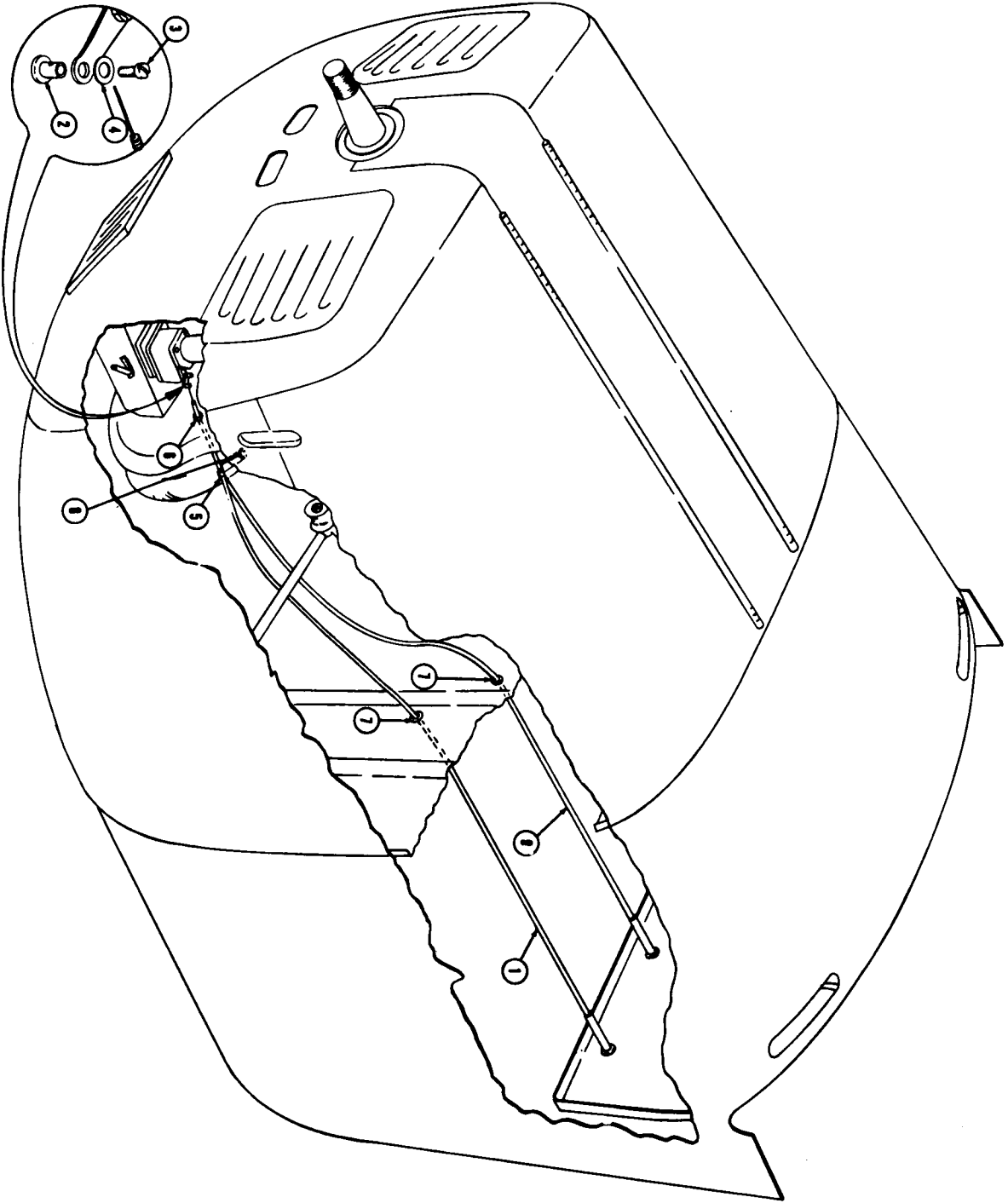


FIGURE 54 - MIXTURE CONTROL INSTALLATION

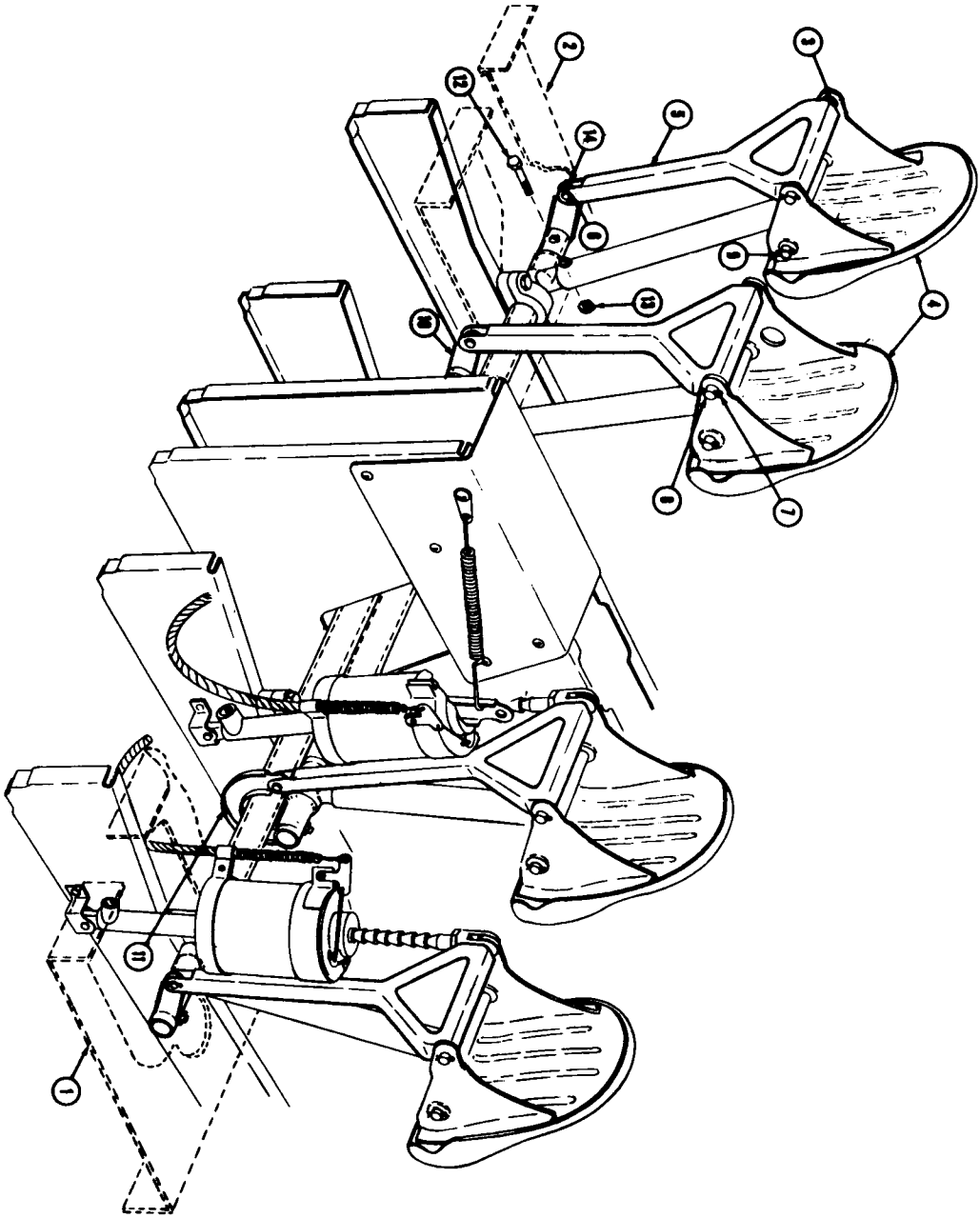
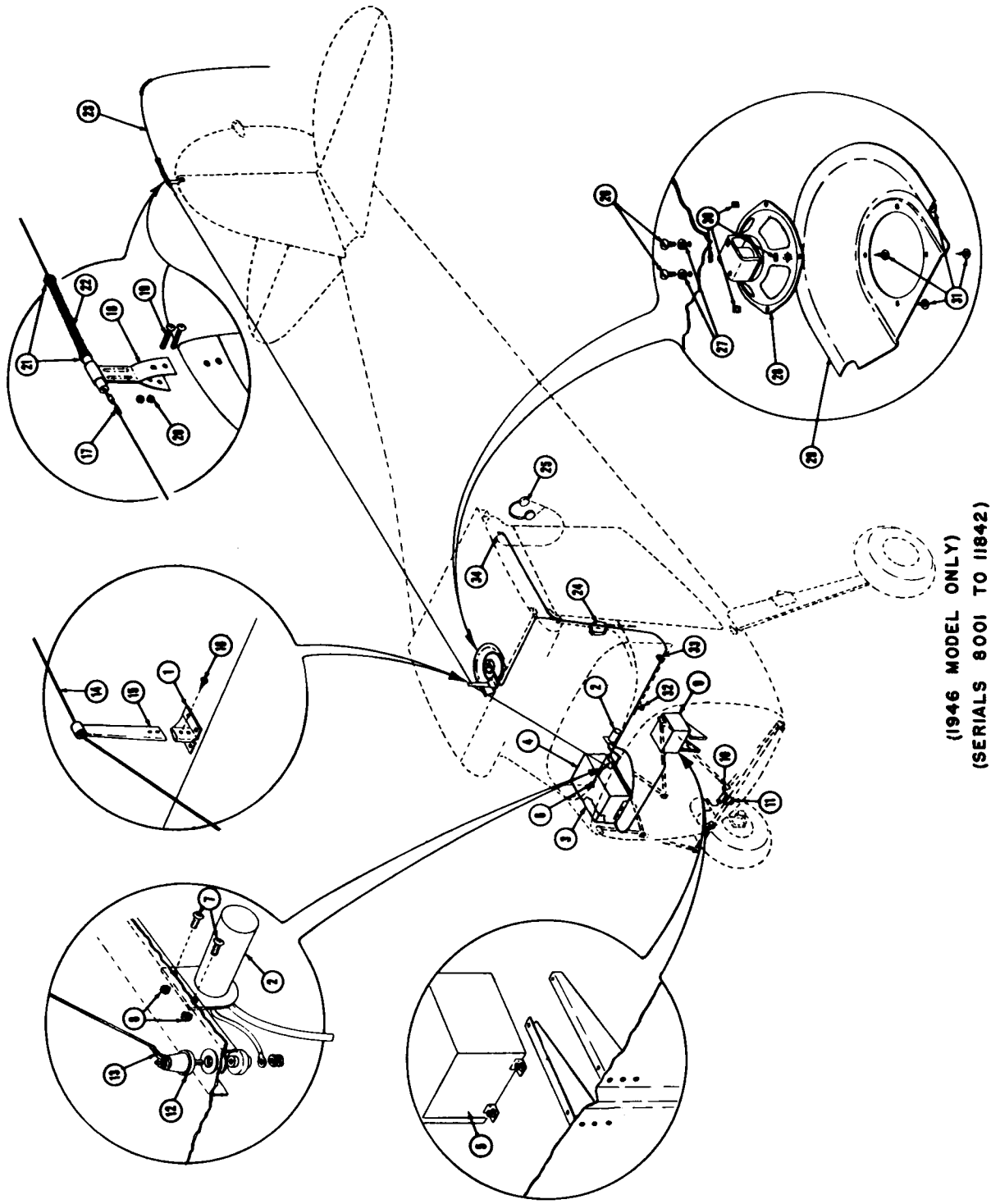


FIGURE 55 - DUAL BRAKE INSTALLATION

ILLUSTRATED PARTS CATALOG
OPTIONAL EQUIPMENT



(1946 MODEL ONLY)
(SERIALS 8001 TO 11842)

FIGURE 56—GENERAL ELECTRIC RADIO INSTALLATION

ILLUSTRATED PARTS CATALOG

FIGURE 56

OPTIONAL EQUIPMENT - G. E. RADIO - 1946 MODEL

FIGURE AND REF. NO.	PART NUMBER	PART NAME						UNITS REQUIRED ON MODELS	
		1	2	3	4	5	6	120	140
		Radio Installation - Complete - (1946 Model Only) (Serial 8001-11842)							
56-1	0411670							1	
56-2	M7478521							1	
56-3	T7665330							1	
56-4	0411054-2							1	
56-5	T7665331							1	
56-6	A1							1	
56-7	AN526-832R-6							2	
56-8	AN365-832							2	
56-9	- - -							1	
	7114695							1	
56-10	1140-200-W.V.D.C.							1	
	AN526-832R-8							1	
	AN365-832							1	
56-11	AN742-8							1	
	0413171							1	
56-12	0411067							1	
56-13	C-36							1	
56-14	0411082-4							1	
56-15	0413220							1	
56-16	PK76XZ-10-6							2	
56-17	CC							1	
56-18	0413173							1	
56-19	AN526-832R-7							2	
56-20	AN365-832							2	
56-21	0413174							2	
56-22	0413175							1	
56-23	0413236							1	
56-24	2058							1	
56-25	#23							1	
	52-3-84							1	
56-26	AN526-832-5							2	
56-27	AN970-3							2	
56-28	P7770053							1	
56-29	0413238							1	
56-30	A1778-82-3							4	
56-31	PK76XZ-8-8							4	
56-32	4AG-1096							1	
56-33	SCA-2B							1	
56-34	A-1							1	
	0411782							1	
All Kits Listed Below Contain All Items Listed Above Except As Noted									
	52-3-6							1	
	52-3-14							1	
	52-3-10							1	
	52-3-15							1	

ILLUSTRATED PARTS CATALOG

FIGURE 57

OPTIONAL EQUIPMENT - G. E. RADIO - 1947 & 1948 MODEL

FIGURE AND REF. NO.	PART NUMBER	PART NAME	UNITS REQUIRED ON MODELS	
			120	140
		1 2 3 4 5 6		
		Radio Installation - Complete - (1947 & 1948 Model) (Serial 11843 & Up)		
57-1	0411670	Bracket - Antenna Mast		1
57-2	M7478521	Antenna Load Coil - Model AS-1B - G.E. - (Cessna Print 0411056)		1
57-3	AN526-832R-6	Screw		2
57-4	AN365-832	Nut		2
57-5	T7665330	Radio - Model AS-1B - G.E. - (Receiver - Transmitter)		1
	52-3-86	Case - G.E. Radio		
	B-33	Terminal		1
	C-77	Terminal		1
	AA	Terminal		5
	BB	Terminal		1
	A2980A-3	Clamp		2
	0400005-71	Wire		1
	0400007-27	Cable		1
57-6	0411054-2	Case - Radio - Model AS-1B		1
57-7	0413124	Bracket - Left Mounting		1
	0413124-1	Bracket - Right Mounting		1
	#7	Tube - Transflex - (3" Length)		1
	#9	Tube - Transflex - (3" Length)		5
	49165-1	Band - United Carr		3
	A1778-8Z-3	Nut		3
	PK76XZ-8-8	Screw		8
57-8	0413018	Power Supply - Model AS-1B - G.E.		1
57-9	A-1	Phone Jack - Mallory - (Cessna Print 0411038)		1
57-10	4AG-1096	Fuse - 15 Amp		1
57-11	2058	Microphone and Plug		1
	PK76XZ-6-8	Screw		2
	0411057-3	Bracket - Microphone		1
57-12	HS-23-28	Headphone - Murdock		1
57-13	1140-200-WVDC.5MFD	Suppressor - Generator		1
	AN526-832R-8	Screw		1
	AN365-832	Nut		1
57-14	AN742-8	Clamp		1
	0413171	Kit - Antenna		1
57-15	0411067	Insulator Assembly		1
57-16	C-36	Terminal - Sta-Kon		1
57-17	0411082-4	Wire - Antenna - (W-106A - 212" Length)		1
57-18	0413220	Mast Assembly - Antenna		1
57-19	PK76XZ-10-6	Screw		2
57-20	CC	Sta-Kon		1
57-21	0413173	Mast - Fin		1
57-22	AN526-832R-7	Screw		2
57-23	AN365-832	Nut		2
57-24	0413174	Washer		2
57-25	0413175	Spring		1
57-26	0413236	Antenna Extension Assembly		1
	52-3-84	Installation Kit - Radio Speaker		1
57-27	AN526-832-5	Screw		2
57-28	AN970-3	Washer		2
57-29	P7770053	Speaker		1
57-30	0413238	Baffle		1
57-31	A1778-8Z-3	Nut		4
57-32	PK76XZ-8-8	Screw		4
57-33	A-1	Phone Jack - Mallory - (Cessna Print 0411038)		1
	0411782	Etched Plate		1
		All Kits Listed Below Contain All Items Listed Above Except As Noted		
	52-3-81	Installation Kit - Radio - G.E. - (Less Items 1, 33, and 0413171 Antenna Kit)		1
	52-3-82	Installation Kit - Radio - G.E. - (Less Items 1, 11, 12, and 33)		1
	52-3-83	Installation Kit - Radio - G.E. - (Less Items 1, 11, 12, and 33 and 0413171 Antenna Kit)		1

ORDER BY PART NUMBER AND NAME

SERIAL NUMBER AND COLOR IF APPLICABLE

ILLUSTRATED PARTS CATALOG
 OPTIONAL EQUIPMENT

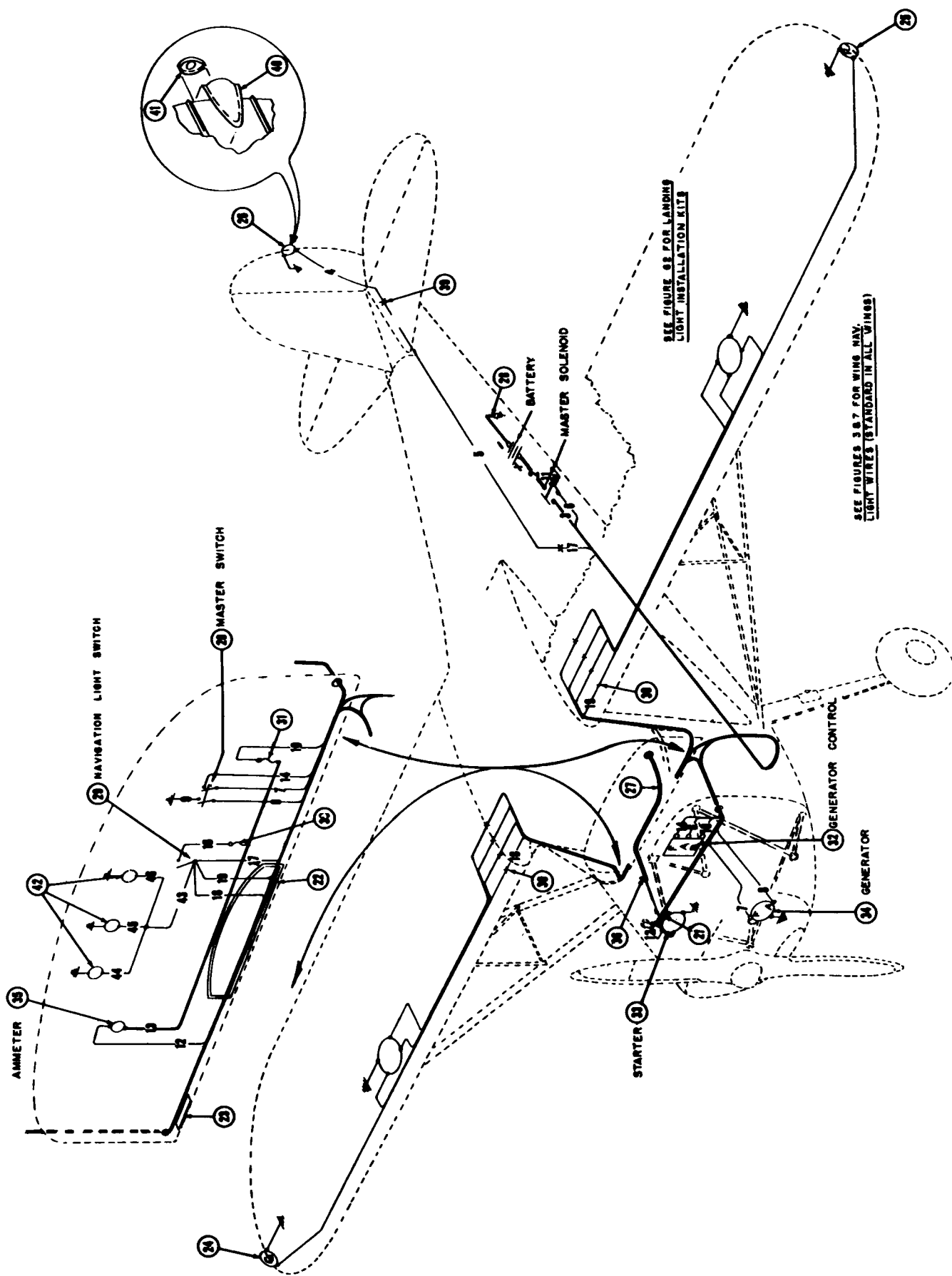


FIGURE 58 - ELECTRICAL WIRING DIAGRAM (120)

ILLUSTRATED PARTS CATALOG



FIGURE 58

OPTIONAL EQUIPMENT - ELECTRICAL SYSTEM - MODEL 120

FIGURE AND REF. NO.	PART NUMBER	PART NAME	UNITS REQUIRED ON MODELS	
			120	140
	52-3-50	Installation Kit - Electrical Wiring - Complete - Less Panel Lights	1	
58-2	0400005-2	Wire - Battery to Master Solenoid	1	
58-3	0400005-3	Wire - Master Solenoid to Starter	1	
58-4	0400005-41	Wire - Tail Light to Empennage Disconnect	1	
58-5	0400005-51	Wire - Empennage Disconnect to Wire 17	1	
58-6	0400005-6	Wire - Master Switch to Master Solenoid	1	
58-7	0400005-7	Wire - Master Switch to Generator	1	
58-8	0400005-8	Wire - Generator to Voltage Control	1	
58-9	0400005-54	Wire - Ground to Master Switch	1	
58-10	0400005-10	Wire - 15 Amp Fuse to Voltage Control	1	
58-11	0400005-55	Wire - Master Solenoid	1	
58-12	0400005-12	Wire - Starter to Ammeter	1	
58-13	0400005-13	Wire - Ammeter to Fuses	1	
58-14	0400005-69	Wire - Master Switch to Voltage Control	1	
58-16	0400005-16	Wire - Navigation Light Switch to Fuse	1	
58-17	0400005-17	Wire - Navigation Light Switch to Connector - Tail	1	
58-18	0400005-18	Wire - Navigation Light Switch to Wing Disconnect - Right	1	
58-19	0400005-19	Wire - Navigation Light Switch to Wing Disconnect - Left	1	
58-20	8822K-5	Switch - (Cutler Hammer) (Master)	1	
58-21	0450283	Arm - Starter Extension	1	
	0450311	Bolt - Clamp Starter Control to Extension	1	
	AN365-1032	Nut - (Attach Starter Arm Extension)	2	
	AN960-10	Washer - (Attach Starter Arm Extension)	1	
	AN960-10L	Washer - (Attach Starter Control)	1	
58-22	0411071	Decal - Switch and Fuses	1	
58-23	0413219	Retainer Assembly - Spare Fuse	1	
58-24	A1285-G12	Light - Wing Navigation - (Green)	1	
58-25	A1285-R12	Light - Wing Navigation - (Red)	1	
	PK76X7-6-6	Screw - (Attach Wing Navigation Lights)	6	
58-26	A2064	Light - Tail Navigation	1	
	AN515-4R8	Screw - (Attach Tail Navigation Light)	2	
58-27	0413180	Control - Starter - (Shakespeare)	1	
58-28	4H-12F	Cable - Battery Ground	1	
58-29	8801K-7	Switch - Navigation Light - (Cutler Hammer)	1	
58-30	4AG-1095	Fuse - 10 Amp	1	
58-30	4AG-442001	Retainer - Fuse	1	
58-31	4AG-1095	Fuse - 15 Amp	1	
58-31	4AG-442001	Retainer - Fuse	1	
58-32	40483	Regulator - Generator - (Delco Remy)	1	
58-33	50309	Starter - (Delco Remy)	1	
58-34	A40435	Generator - (Delco Remy)	1	
58-35	95245	Ammeter - (King Seeley)	1	
58-36	0450284	Bracket Assembly - Starter Control	1	
58-39	T-133D	Insulator	3	
58-40	0433121	Support - Tail Light Mount	2	
58-41	0433007	Mount - Tail Light	1	
	52-3-65	Installation Kit - Electrical System - (Same As 52-3-50 Less Items 32, 33, and 34)	1	
	52-3-28	Installation Kit - Electrical System - (Same As Kit 52-3-50 Less Items 24, 25, and 26)	1	
	52-3-39	Installation Kit - Navigation Lights	1	
	52-3-17	Installation Kit - Panel Lights	1	
58-42	A1718	Instrument Light Assembly	3	
	0411691	Instrument Light Spacer	6	
58-43	0400005-52	Wire - Switch to Panel Lights	1	
58-44	0400005-20	Wire - Instrument Light	1	
58-45	0400005-21	Wire - Instrument Light	1	
58-46	0400005-22	Wire - Instrument Light	1	

FIGURE 59 OPTIONAL EQUIPMENT - FUSELAGE ELECTRICAL INSTALLATION - MODEL 120

FIGURE AND REF. NO.	PART NUMBER	PART NAME	UNITS REQUIRED ON MODELS	
			120	140
59-1	A3047A-5	Clamp - Tinnerman	1	1
	PK76XZ-8-8	Screw	1	1
59-2	A3047A-5	Clamp - Tinnerman	1	1
	PK76XZ-8-8	Screw	1	1
59-3	49164	Band - United Carr	1	1
59-4	49165	Band - United Carr	1	1
59-5	AN931-11-16	Grommet	3	3
59-6	49212	Band - United Carr	1	1
59-7	49212	Band - United Carr	1	1
59-8	- - -	Tubing - Transflex - (1/2" I.D.)	1	1
59-8	A3046A-12	Clamp - Tinnerman	1	1
59-8	PK76XZ-8-8	Screw	1	1
59-8	A1778-8Z-3	Nut - Tinnerman	1	1
59-9	AN931-7-11	Grommet	1	1
59-10	AN931-7-11	Grommet	1	1
59-11	AN3047A-8	Clamp	1	1
	PK76XZ-8-8	Screw	2	2
59-12	AN931-7-11	Grommet	1	1
59-13	AN931-7-11	Grommet	1	1
59-14	- - -	Tubing - Transflex - (1/2" I.D.)	1	1
59-14	A3046A-12	Clamp - Tinnerman	1	1
59-14	A1274-8Z-3	Nut	1	1
59-15	0411210	Bulkhead - Battery Support - (Sta. 76.44)	1	1
59-16	0412146	Box Assembly - Battery	1	1
	0413279	Spacer - Battery Box - (S-24 Battery)	1	1
	0413280	Spacer - Battery Box - (S-24 Battery)	1	1
	0413284	Spacer - Battery Box - (S-24 Battery)	1	1
59-17	S-24	Battery - 12 Volt - (Reading)	1	1
59-18	AN4-4A	Bolt - (Attach Battery Ground Cable)	1	1
	AN365-428	Nut	1	1
59-19	R-57	Contact - Solenoid	1	1
59-20	AN526-1032-6	Screw - (Attach Solenoid)	4	4
	AN365-1032	Nut	4	4
59-21	AN931-7-11	Grommet - Battery Drain Tube	1	1
59-22	A2981A-2	Clamp - Tinnerman	3	3
59-23	A3493-1	Clip - Wire - Tinnerman	11	11
59-24	A3047A-4	Clamp - Tinnerman	2	2
	PK76XZ-8-8	Screw	2	2
	T118	Insulator - (Use With Item 22 - A2981A-2 Clamp)	3	3
	AN931-3-5	Grommet - (Use At Ribs and Bulkheads to Protect Wire)	9	9
	AN931-7-11	Grommet - (Use At Ribs and Bulkheads to Protect Wire)	4	4
59-25	A3047A-4	Clamp - Tinnerman	2	2
	PK76XZ-8-8	Screw	2	2

FIGURE 60

OPTIONAL EQUIPMENT - MAGUIRE RADIO & ANTENNA

52-3-19	Installation Kit - Maguire Radio and Antenna (Serial 8001 & Up)	1	1	
60-1	ARR-1	Radio - Maguire - (Includes Dry Batteries, Headphone & Load Coil)	1	1
	935	Battery - Everready - (Size C) (1.5 Volts)	4	4
	467	Battery - Everready - (Size B) (67.5 Volts)	1	1
60-2	0411826	Bracket Assembly - Maguire Radio	1	1
60-3	0411826-3	Sponge Rubber - (3/16 x 3/8 x 4 3/4)	2	2
60-4	5957 1/4	Fastener - Hook Half - (Wichita Trunk)	2	2
60-5	0411828	Angle - Maguire Radio Bracket	1	1
60-6	0411787	Strap Assembly - Maguire Radio	1	1
60-7	5957 1/4	Fastener - Latch Half	2	2
	0411787-3	Sponge Rubber - (3/16 x 3/4 x 16)	2	2
60-8	PK76XZ-8-6	Screw	4	4
	A1778-8Z-3	Nut - Tinnerman	4	4
60-9	49165-2	Clip - United Carr	1	1
60-10	AN742-14	Clamp	1	1
	AN526-832R6	Screw	1	1
	AN365-832	Nut	1	1
60-11	0411989-4	Wire - Load Coil - (#18 Insulated Wire 6" Length)	1	1
	C77	Terminal - Sta-Kon	1	1
60-12	0411670	Bracket - Antenna Mast	1	1
	AN456AD4-6	Rivet - (Attach Mast Bracket)	4	4
	0411082-2	Antenna Kit	1	1
60-13	0411067	Insulator Assembly	1	1
60-14	PK76XZ-10-6	Screw	2	2
60-15	0413220	Mast - Antenna	1	1
60-16	0411082-4	Wire - Antenna - (W-106-A - 199" Length)	1	1
60-17	C-36	Terminal - Sta-Kon	2	2

ORDER BY PART NUMBER AND NAME

SERIAL NUMBER AND COLOR IF APPLICABLE

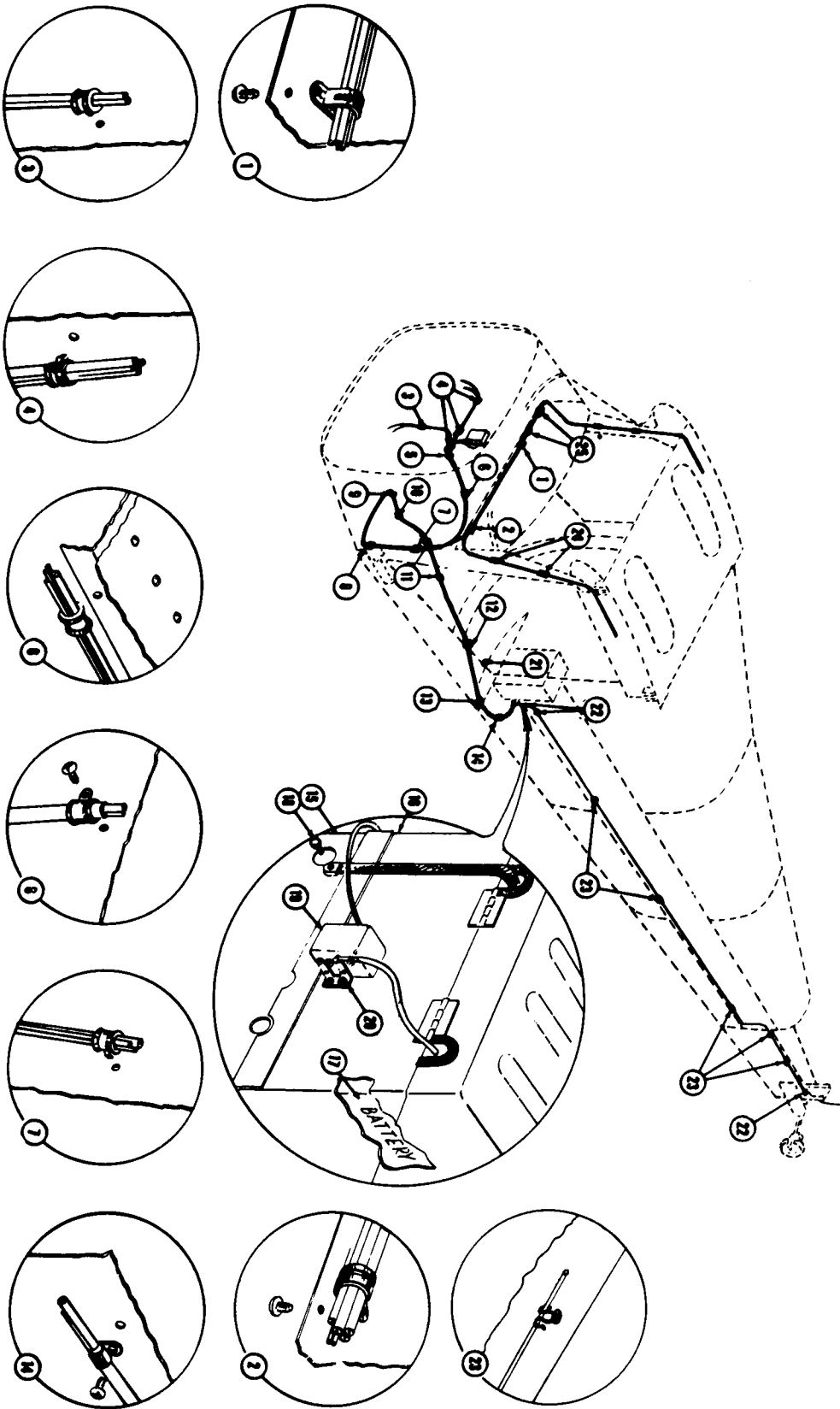


FIGURE 59 - FUSELAGE ELECTRIC (MODEL 120)

FIGURE 60

OPTIONAL EQUIPMENT - MAGUIRE RADIO & ANTENNA

FIGURE AND REF. NO.	PART NUMBER	PART NAME						UNITS REQUIRED ON MODELS	
		1	2	3	4	5	6	120	140
	AN526-632R8						Screw - (Attach Terminal to Insulator)	1	1
	AN365-632						Nut	1	1
60-18	0411690-1						Spring - Antenna Tension	1	1
60-19	0411687-1						Insulator - Antenna	1	1
60-20	0411686						Clip - Antenna Fastening	1	1
	52-3-66						Installation Kit - Maguire Radio Less Antenna	1	1
60-1	ARR-1						Radio - Maguire - (Includes Dry Batteries, Headphone and Load Coil)	1	1
60-2	0411826						Bracket Assembly - Maguire Radio	1	1
60-3	0411826-3						Sponge Rubber - (3/16 x 3/8 x 4 3/4)	2	2
60-4	5957 1/4						Fastener - Hook Half - (Wichita Trunk)	2	2
60-5	0411828						Angle - Maguire Radio Bracket	1	1
60-6	0411787						Strap Assembly - Maguire Radio	1	1
60-7	5957 1/4						Fastener - Latch Half	2	2
60-8	PK76KZ-8-6						Screw	4	4
	A1778-8Z-3						Nut - Tinnerman	4	4
60-9	A9165-2						Clip - United Carr	1	1
60-10	AN742-14						Clamp	1	1
	AN526-832R6						Screw	1	1
	AN365-832						Nut	1	1
60-11	0411989-4						Wire + Load Coil - (#18 Insulated Wire - 6" Length)	1	1
	C77						Terminal - Sta-Kon	1	1
60-12	0411670						Bracket - Antenna Mast	1	1

FIGURE 61

OPTIONAL EQUIPMENT - PROPELLER AND SPINNER

Note: See Figure 1 For Standard Propellers									
61-1	74PK-47						Propeller - Fixed Pitch - (Sensenich) (Use With C-85 Engine)	1	1
61-1	1A90-CF7146						Propeller - Fixed Pitch - (McCauley) (Use With C-85 Engine)	1	1
61-1	1A90-CF7148						Propeller - Fixed Pitch - (McCauley) (Use With C-85 Engine)	1	1
61-1	1A90-CF7142						Propeller - Fixed Pitch - (McCauley) (Use With C-85 Engine - For Sea-plane)	1	1
61-1	1A90-CF7152						Propeller - Fixed Pitch - (McCauley) (Use With C-90 Engine)	1	1
61-1	1A90-CF7154						Propeller - Fixed Pitch - (McCauley) (Use With C-90 Engine)	1	1
	A-1165						Gasket - McCauley Propeller - (Furnished With All McCauley Props)	1	1
61-2	0411898						Decal - McCauley Propeller - (C-85 Engine Only)	1	1
61-3	AN6H-31						Bolt - (Flanged Shaft)	6	6
61-4	AN6-34A						Bolt - (Tapered Shaft)	6	6
61-5	0450275						Bushing - (Tapered Shaft)	6	6
61-6	AN960-616						Washer - (Tapered Shaft)	6	6
61-7	AN365-624						Nut - (Tapered Shaft)	6	6
61-8	AN393-13						Pin - (Tapered Shaft)	1	1
61-9	AN960A-10L						Washer - (Tapered Shaft)	1	1
61-10	AN381-2-8						Pin - Cotter - (Tapered Shaft)	1	1
	52-3-5						Installation Kit - Propeller Spinner - (For Wood Propeller)	1	1
61-11	0450260						Bracket Assembly - Propeller Spinner	1	1
61-12	AN366F-832						Nut Plate	1	1
61-13	0450265						Spinner - Propeller	1	1
61-14	AN526-8R12						Screw	1	1
	52-3-42						Installation Kit - Propeller Spinner - (For McCauley Metal Propellers)	1	1
61-11	0450281						Bracket Assembly - Propeller Spinner	1	1
61-12	AN366F-832						Nut Plate	1	1
61-13	0450279						Spinner - Propeller	1	1
61-14	AN526-8R12						Screw	1	1

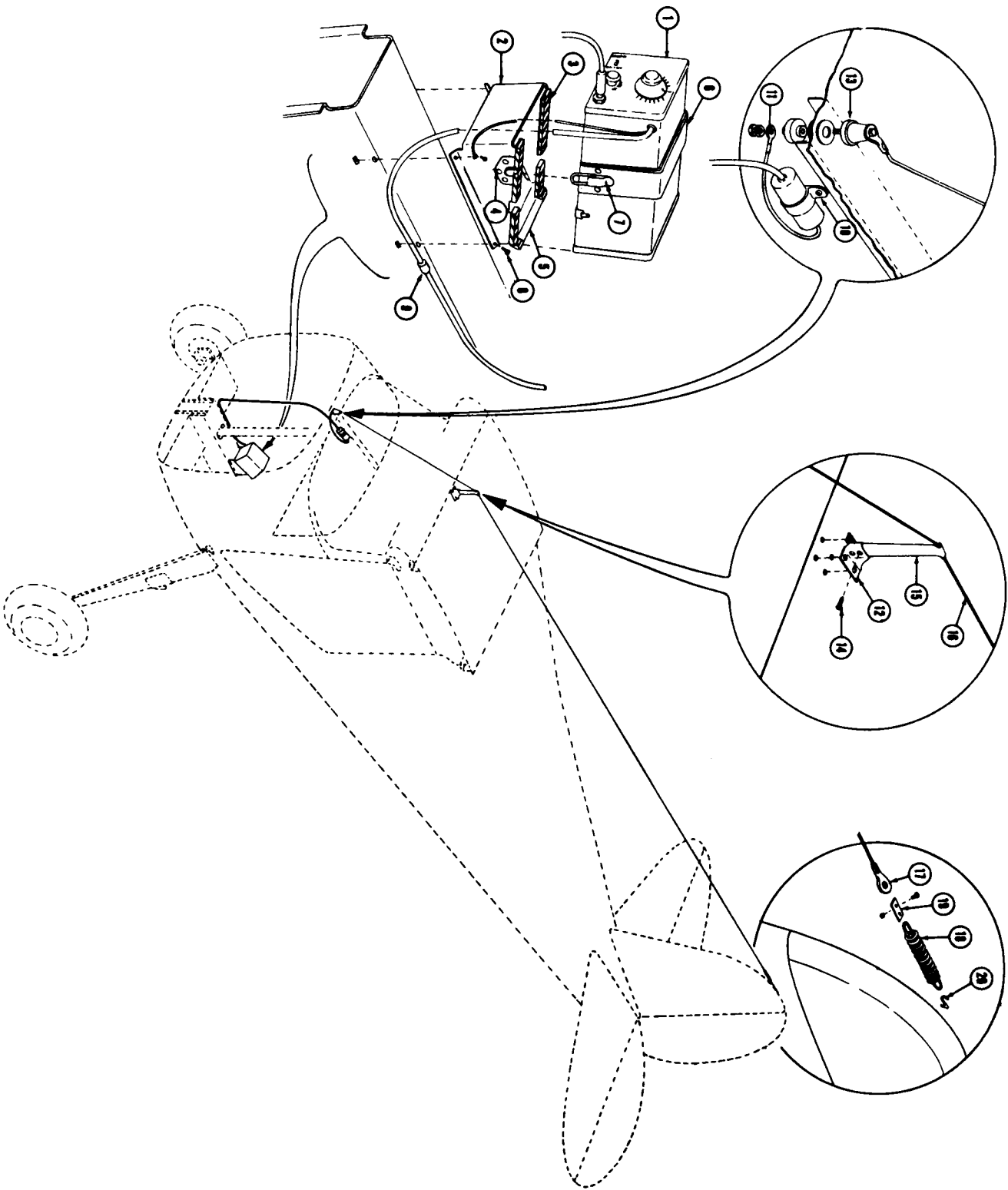
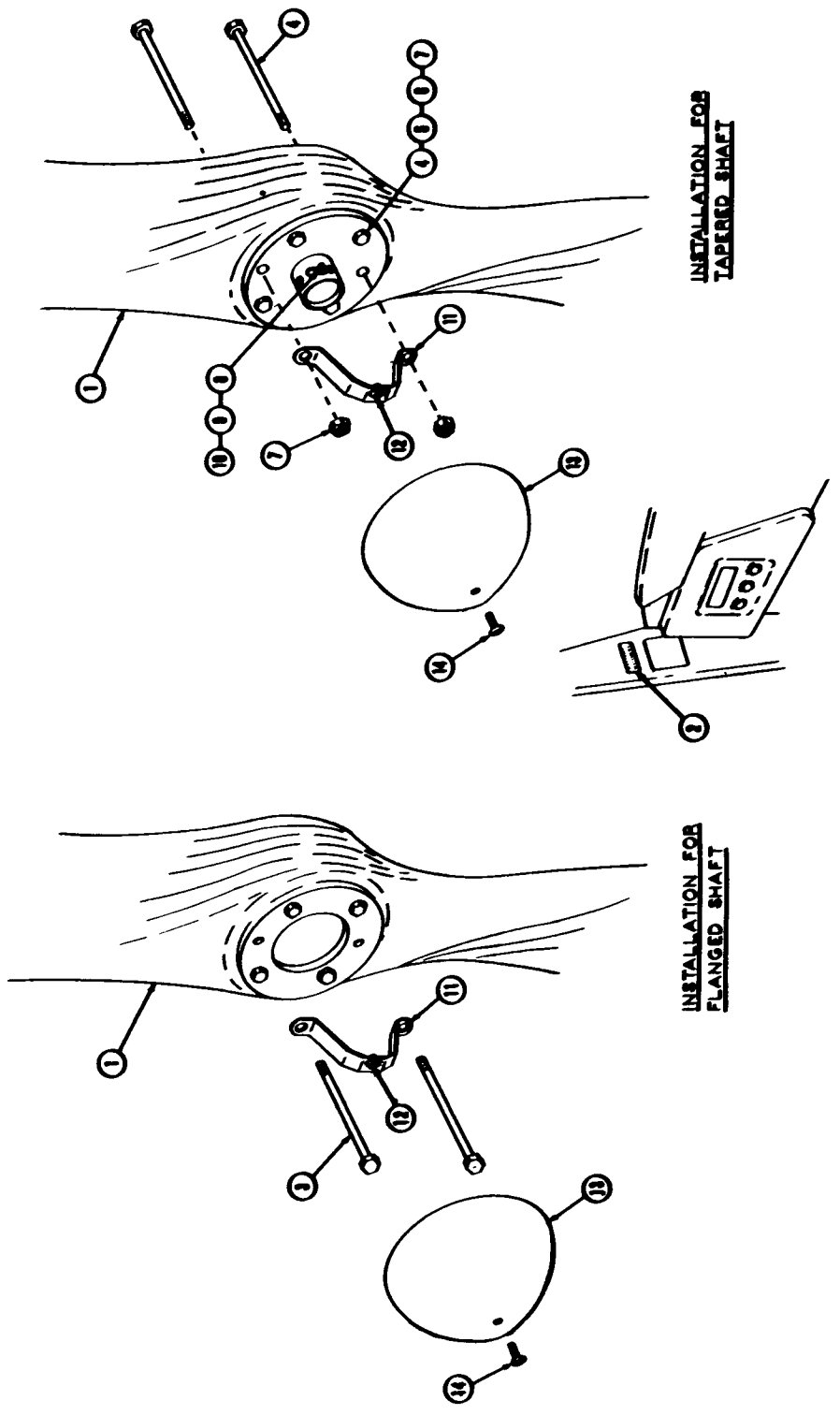


FIGURE 60 - MAGUIRE RADIO INSTALLATION

ILLUSTRATED PARTS CATALOG
OPTIONAL EQUIPMENT



INSTALLATION FOR TAPERED SHAFT

INSTALLATION FOR FLANGED SHAFT

DECAL LOCATION FOR MCCAULEY PROPELLER (USE WITH C-89 ENGINE ONLY)

FIGURE 61 - PROPELLER AND SPINNER INSTALLATION

ILLUSTRATED PARTS CATALOG

FIGURE 62

OPTIONAL EQUIPMENT - LANDING LIGHT

FIGURE AND REF. NO.	PART NUMBER	PART NAME	UNITS REQUIRED ON MODELS							
			120	140						
			1	2	3	4	5	6		
	52-3-13	Installation Kit - Grimes Landing Light - Left								
62-1	G3602	Landing Light - Grimes - (Cessna Print 0422007)								1
62-2	M4522	Bulb - Sealed Beam - (Grimes)								1
62-3	G2905	Motor - Landing Light - (Grimes)								1
62-4	B3626	Bard - Landing Light - (Grimes)								1
62-5	8800K-7	Switch - (Cutler Hammer)								1
62-6	- - - -	Handle - Switch - (Reference Only) (Cessna Print 0412473)								1
62-7	4AG-1098	Fuse - 25 Amp - (Landing Light Bulb)								1
62-8	4AG-1095	Fuse - 10 Amp - (Landing Light Motor)								1
	52-3-41	Installation Kit - Grimes Landing Light - Right - (This Kit For Planes With Landing Light Bracket)								1
62-1	G3602	Landing Light - Grimes - (Cessna Print 0422007)								1
62-5	8800K-7	Switch - (Cutler Hammer)								1
62-9	4AG-442001	Retainer + Fuse - (Landing Light Bulb) - Right								1
62-7	4AG-1098	Fuse - 25 Amp - (Landing Light Bulb)								1
	52-3-40	Installation Kit - Grimes Landing Light - Right - (This Kit For Planes Without Right Wing Landing Light Bracket) (Serial 9711 & Up)								1
62-1	G3602	Landing Light - (Grimes) (Cessna Print 0422007)								1
62-5	8800K-7	Switch - (Cutler Hammer)								1
62-9	4AG-442001	Retainer + Fuse - (Landing Light) - Right								1
62-7	4AG-1098	Fuse - 25 Amp - (Landing Light Bulb)								1
62-10	0422331	Plate - Landing Light Mounting - Right								1
	0400005-46	Wire - Landing Light to Wingroot - Right								1
	0400005-48	Wire - Landing Light to Wingroot - Right								1
	0400005-50	Wire - Landing Light to Wingroot - Right								1
	A3047A-4	Clamp - Tinnerman								1
	PK76XZ-8-6	Screw								1
	AN931-4-7	Grommet								1
	#7	Connector								4
	#3	Tubing - Transflex - (3" Length)								2
	#6	Tubing - Transflex - (3" Length)								4
	0400005-45	Wire Assembly - Landing Light - (Fuse to Wingroot) - Right								1
	0400005-47	Wire Assembly - Landing Light - (Switch to Wingroot) - Right								1
	0400005-49	Wire Assembly - Landing Light - (Switch to Wingroot) - Right								1
	A3047A-6	Clamp - Tinnerman								2
	PK76XZ-8-6	Screw								2
	A3047A-5	Clamp - Tinnerman								1
	PK76XZ-8-8	Screw								1
	52-3-90	Installation Kit - Grimes Landing Light - Left								1
62-1	G3602	Landing Light - (Grimes) (Cessna Print 0422007)								1
62-5	8800K-7	Switch - (Cutler Hammer)								1
62-7	4AG-1098	Fuse - 25 Amp - (Landing Light Bulb)								1
62-8	4AG-1095	Fuse - 10 Amp - (Landing Light Motor)								1
62-9	4AG-442001	Retainer - Fuse - (Landing Light) - Left								2
62-10	0422313	Plate - Landing Light Mounting - Left								1
	AN442AD3-4	Rivet								5
	AN455AD3-4	Rivet								2
	0400005-23	Wire Assembly - Landing Light - (Fuse to Switch)								1
	0400005-24	Wire Assembly - Landing Light - (Switch to Wingroot) - Left								1
	0400005-25	Wire Assembly - Landing Light - (Switch to Wingroot) - Left								1
	0400005-39	Wire Assembly - Landing Light to Wingroot - Left								1
	0400005-40	Wire Assembly - Landing Light to Wingroot - Left								1
	0400005-42	Wire Assembly - Landing Light - (Wingroot to Fuse) - Left								1
	0400005-43	Wire Assembly - Landing Light to Wingroot - Left								1
	A3047A-4	Clamp - Tinnerman								2
	A3047A-7	Clamp - Tinnerman								1
	PK76XZ-8-6	Screw								2
	PK76XZ-8-8	Screw								1
	AN931-5-7	Grommet								1
	#7	Terminal								2
	C58	Terminal								1
	T133D	Insulator								2
	T218D	Insulator								1
	52-3-91	Installation Kit - Grimes Landing Light - Right								1
62-1	G3602	Landing Light - (Cessna Print 0422007)								1
62-5	8800K-7	Switch - (Cutler Hammer)								1
62-7	4AG-1098	Fuse - 25 Amp - (Landing Light Bulb)								1
62-8	4AG-1095	Fuse - 10 Amp - (Landing Light Motor)								1
62-9	4AG-442001	Retainer - Fuse - (Landing Light) - Right								1
62-10	0422331	Plate - Landing Light Mounting - Right								1
	AN442AD3-4	Rivet								5
	AN455AD3-4	Rivet								2
	0400005-44	Wire Assembly - Landing Light - (Fuse to Switch) - Right								1
	0400005-45	Wire Assembly - Landing Light - (Fuse to Wingroot) - Right								1

ORDER BY PART NUMBER AND NAME

SERIAL NUMBER AND COLOR IF APPLICABLE



FIGURE 62

OPTIONAL EQUIPMENT - LANDING LIGHT

FIGURE AND REF. NO.	PART NUMBER	PART NAME						UNITS REQUIRED ON MODELS	
		1	2	3	4	5	6	120	140
	0400005-46						Wire Assembly - Landing Light to Wingroot - Right	1	
	0400005-47						Wire Assembly - Landing Light - (Switch to Wingroot) - Right	1	
	0400005-48						Wire Assembly - Landing Light to Wingroot	1	
	0400005-49						Wire Assembly - Landing Light - (Switch to Wingroot) - Right	1	
	0400005-50						Wire Assembly - Landing Light to Wingroot - Right	1	
	A3047A-4						Clamp - Tinnerman	2	
	A3047A-5						Clamp - Tinnerman	1	
	A3047A-6						Clamp - Tinnerman	1	
	PK76XZ-8-6						Screw	2	
	PK76XZ-8-8						Screw	2	
	AN931-5-7						Grommet	1	
	#7						Terminal	2	
	C58						Terminal	1	
	T133D						Insulator	2	
	T218D						Insulator	1	
62-11	AN505-632-R10						Screw - (Attach Landing Light)	11	11

ORDER BY PART NUMBER AND NAME

SERIAL NUMBER AND COLOR IF APPLICABLE

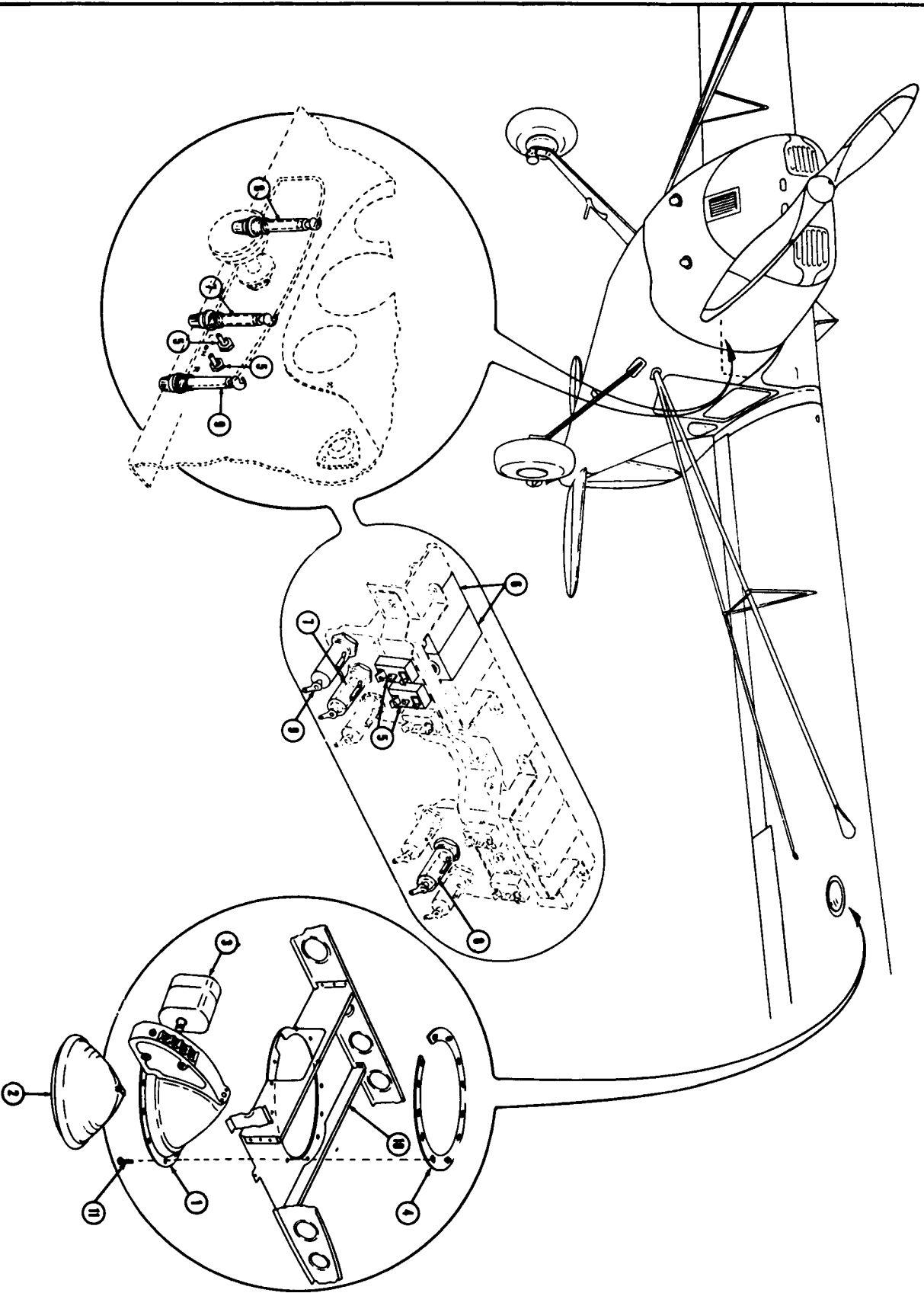


FIGURE 62 - LANDING LIGHT INSTALLATION

ILLUSTRATED PARTS CATALOG
OPTIONAL EQUIPMENT

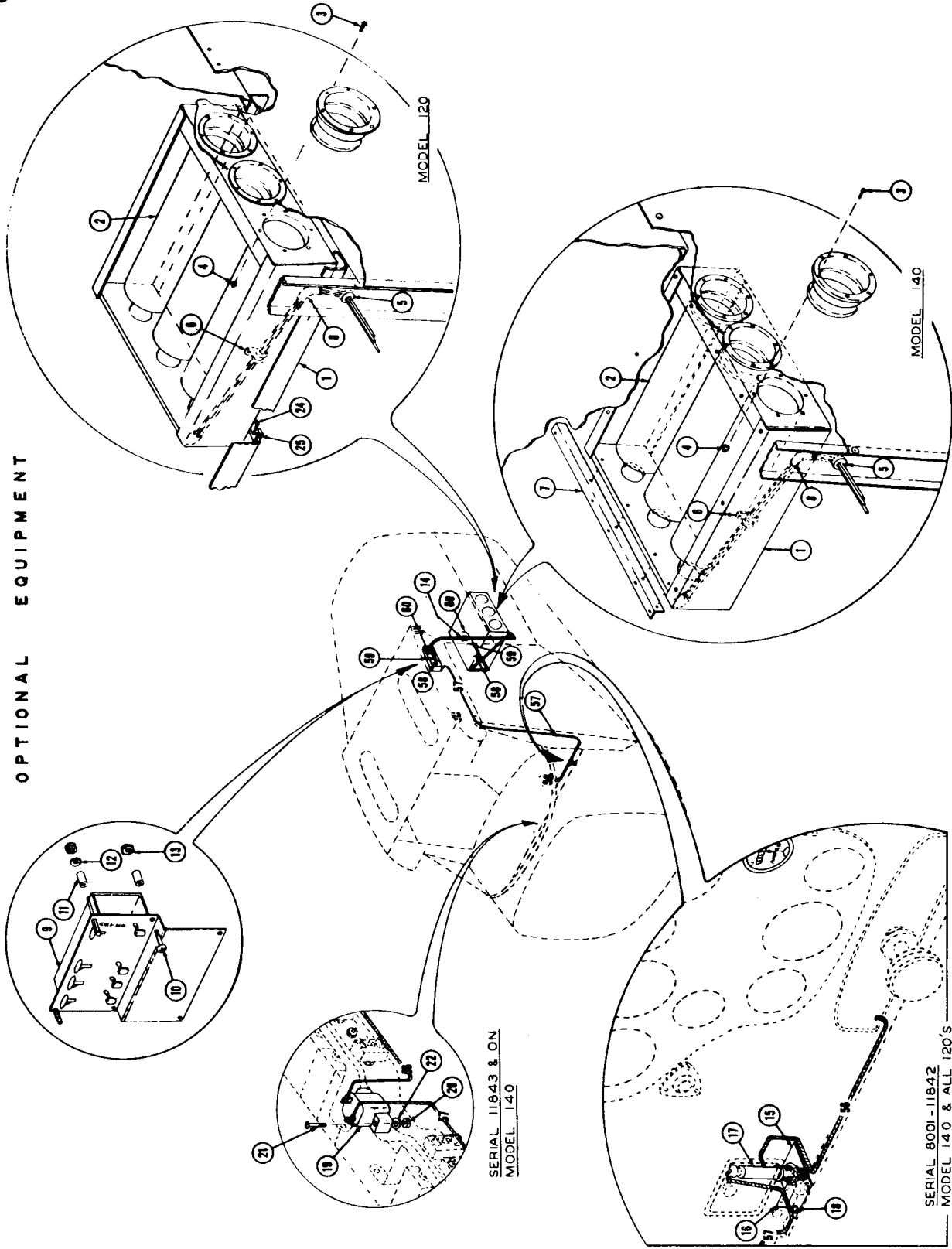


FIGURE 63- FLARE INSTALLATION (ONE AND ONE-HALF MINUTE)

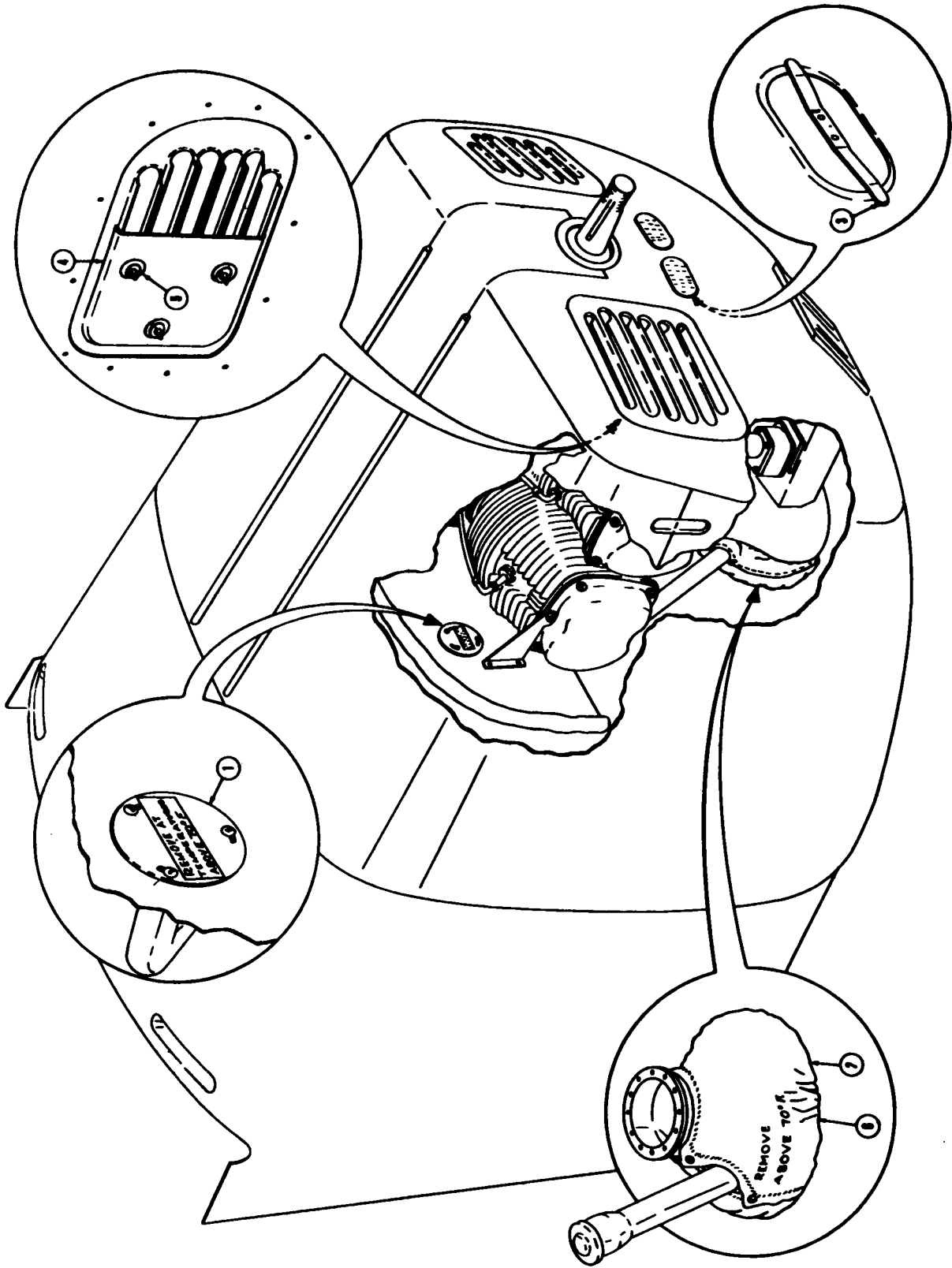


FIGURE 64- WINTERIZATION

ILLUSTRATED PARTS CATALOG

FIGURE 64

OPTIONAL EQUIPMENT - WINTERIZATION EQUIPMENT

FIGURE AND REF. NO.	PART NUMBER	PART NAME	UNITS REQUIRED ON MODELS	
			120	140
	52-3-121	Installation Kit - Winterization Equipment - (Cessna Print 0450102) (This Kit Is To Be Used On Engines With Small Round Oil Tanks)		
64-1	0450310	Cover - Oil Temperature Blast Tube	1	1
	0452167	Decal - Winterization - ("Remove At Temperature Above 70° F.") (Serial 8001-11842 - Model 120 & 140) (Serial 14365 & Up - Model 140)	1	1
64-2	0450316	Cover - Oil Tank Winterization - (Use On C-85 Engine) (Serial 8001 & Up - Model 120) (Serial 8001-14364 - Model 140)	1	1
64-3	0452161	Plug Assembly - Nose Cowl Vent	2	2
64-4	0452165	Cover - Cowl Grill Winterization	2	2
	0452168	Decal - Winterization - ("Remove At Temperature Above 40° F.")	2	2
64-5	0452166	Fastener - Grill Winterization Cover Spring	6	6
	52-3-122	Installation Kit - Winterization Equipment - (Cessna Print 0450102) (This Kit is to Be Used On C-90 Engines With Large Oblong Oil Tanks. Some C-90 Engines Will Require Kit Number 52-3-121)		
64-1	0450310	Cover - Oil Temperature Blast Tube		1
	0452167	Decal - Winterization - (Serial 14365 & Up)		1
64-3	0452161	Plug Assembly - Nose Cowl Vent		2
64-4	0452165	Cover - Cowl Grill Winterization		2
	0452168	Decal - Winterization		2
64-5	0452166	Fastener - Grill Winterization Cover Springs		6
64-6	0450316-1	Cover - Oil Tank Winterization - (For Engine With Large Oblong Oil Tank - C-90 Engines Only) (Serial 14365 & Up)		1
	52-3-49	Installation Kit - Winterization Equipment - (This Kit Contains All Parts Except Oil Tank Cover)		
64-1	0450310	Cover - Oil Temperature Blast Tube	1	1
	0452167	Decal - Winterization	1	1
64-3	0452161	Plug Assembly - Nose Cowl Vent	2	2
64-4	0452165	Cover - Cowl Grill Winterization	2	2
	0452168	Decal - Winterization	2	2
64-5	0452166	Fastener - Grill Winterization Cover Spring	6	6

ILLUSTRATED PARTS CATALOG

FIGURE 65

OPTIONAL EQUIPMENT - EDO FLOATS

FIGURE AND REF. NO.	PART NUMBER	PART NAME						UNITS REQUIRED ON MODELS	
		1	2	3	4	5	6	120	140
	52-3-67	Edo Float - Cessna	Furnished	Parts				1	1
65-1	0440113	Plate - Left						1	1
	0440113-1	Plate - Right						1	1
65-2	0440110	Support - Bulkhead						1	1
65-3	0411530	Plate						2	2
	A1794-10Z-3	Nut - Tinnerman						12	12
	PK76XZ-10-8	Screw						12	12
65-4	0440106	Fitting - Front Inboard - Left						1	1
65-5	AN3-4A	Bolt						4	4
	AN365-1032	Nut						4	4
65-6	0440106	Fitting - Front Inboard - Right						1	1
65-7	AN3-4A	Bolt						4	4
	AN365-1032	Nut						4	4
65-8	0440107	Fitting - Front Inboard - Aft						1	1
65-9	AN3-5A	Bolt						4	4
	AN960-10	Washer						4	4
	AN365-1032	Nut						4	4
65-10	PK76XZ-6-4	Screw						4	4
65-11	0440109-1	Fitting - Rear Outboard - Right						22	22
	0440109	Fitting - Rear Outboard - Left						1	1
65-12	AN4-4A	Bolt						6	6
	AN960-D416	Washer						6	6
65-13	0440108	Fitting - Rear Inboard						1	1
	52-3-106	Installation Kit - Hoisting Ring						1	1
65-14	0413273-3	Eyebolt						4	4
65-15	NAS43-5-48	Spacer						4	4
65-16	AN931-7-11	Grbmmt						4	4
65-17	AN970-5	Washer						8	8
65-18	AN365-524	Nut						4	4
	52-3-71	Installation Kit - Cables - Stainless Steel - Seaplane - Model 140							1
	0400107-10S	Cable - Wheel to Aileron							2
	0400107-20S	Cable - Aileron Carry Thru							1
	0400107-4S	Cable - Rudder Control							2
	0400107-5S	Cable - Elevator Control-Up							1
	0400107-7S	Cable - Elevator Tab - Aft							1
	0400107-8S	Cable - Elevator Tab - Forward							1
	0400107-9S	Cable - Elevator Control - Down							1
	0400107-10S	Cable - Flap Control							1
	0400107-11S	Cable - Elevator Tab Control - Thru							1
	0400107-12S	Cable - Elevator Tab Control - Thru							1
	52-3-72	Installation Kit - Cables - Stainless Steel - Seaplane - Model 120 (This Kit Same As Kit 52-3-71 Except 0400107-10 Flap Control Cable Omitted)							1

ORDER BY PART NUMBER AND NAME

SERIAL NUMBER AND COLOR IF APPLICABLE

ILLUSTRATED PARTS CATALOG
OPTIONAL EQUIPMENT

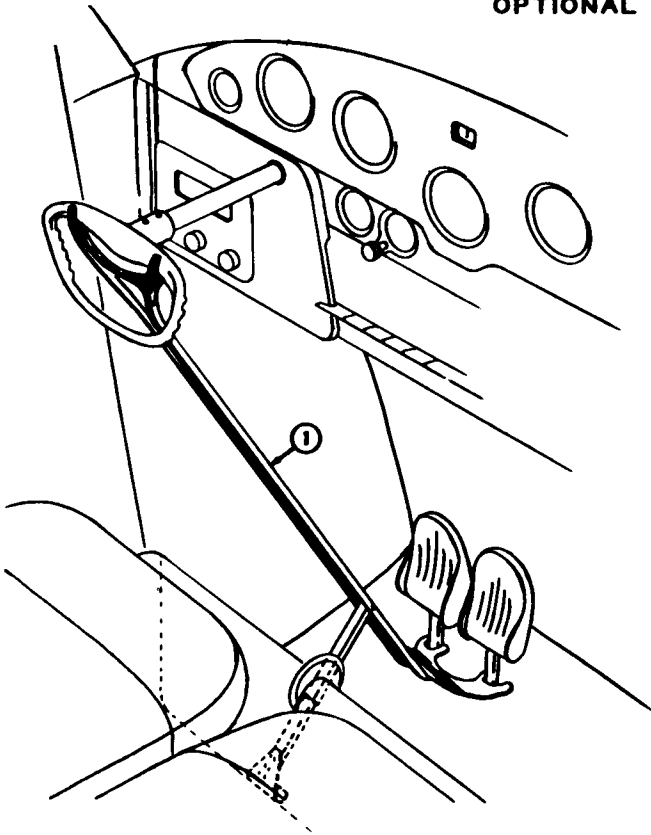


FIGURE 66 - CONTROL LOCK

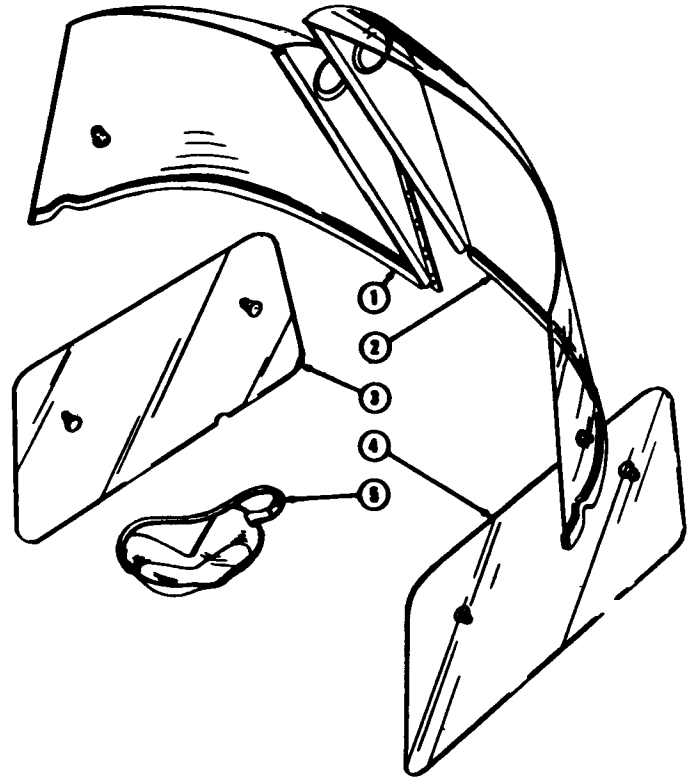


FIGURE 67 - BLIND FLIGHT EQUIPMENT

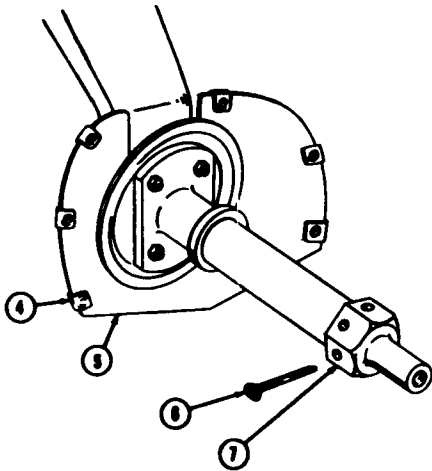
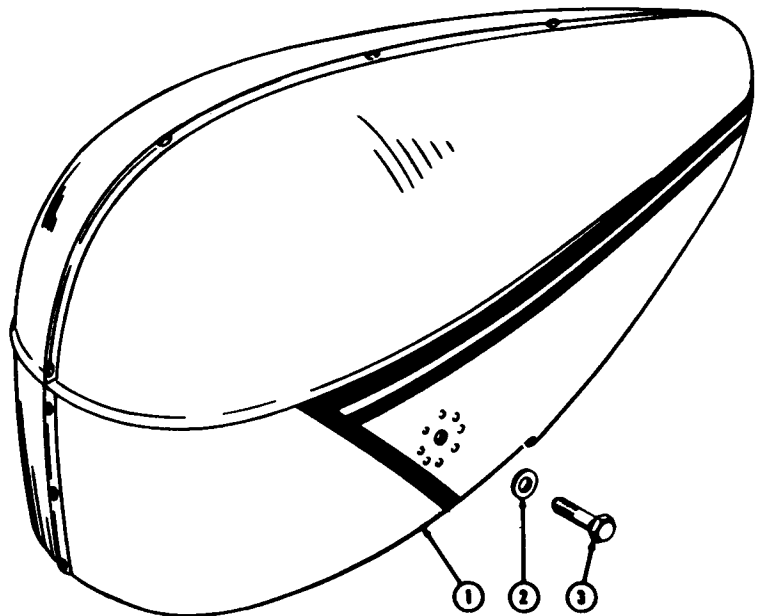


FIGURE 68 - WHEEL FAIRING INSTALLATION



ILLUSTRATED PARTS CATALOG

FIGURE 66

OPTIONAL EQUIPMENT - CONTROL LOCK

FIGURE AND REF. NO.	PART NUMBER	PART NAME	UNITS REQUIRED ON MODELS	
			1	2
			120	140
66-1	0413243	Lock + Control	1	1

FIGURE 67

OPTIONAL EQUIPMENT - BLIND FLIGHT

FIGURE AND REF. NO.	PART NUMBER	PART NAME	UNITS REQUIRED ON MODELS	
			1	2
			120	140
	52-3-98	Equipment - Blind Flight	1	1
67-1	0413267-12	Cdver Assembly - WindshIELD - Left	1	1
67-2	0413267-13	Cdver Assembly - WindshIELD - Right	1	1
67-3	0413267-10	Cdver Assembly - Door - Left	1	1
67-4	0413267-11	Cdver Assembly - Door - Right	1	1
67-5	1087	Goggles - Blue	1	1

FIGURE 68

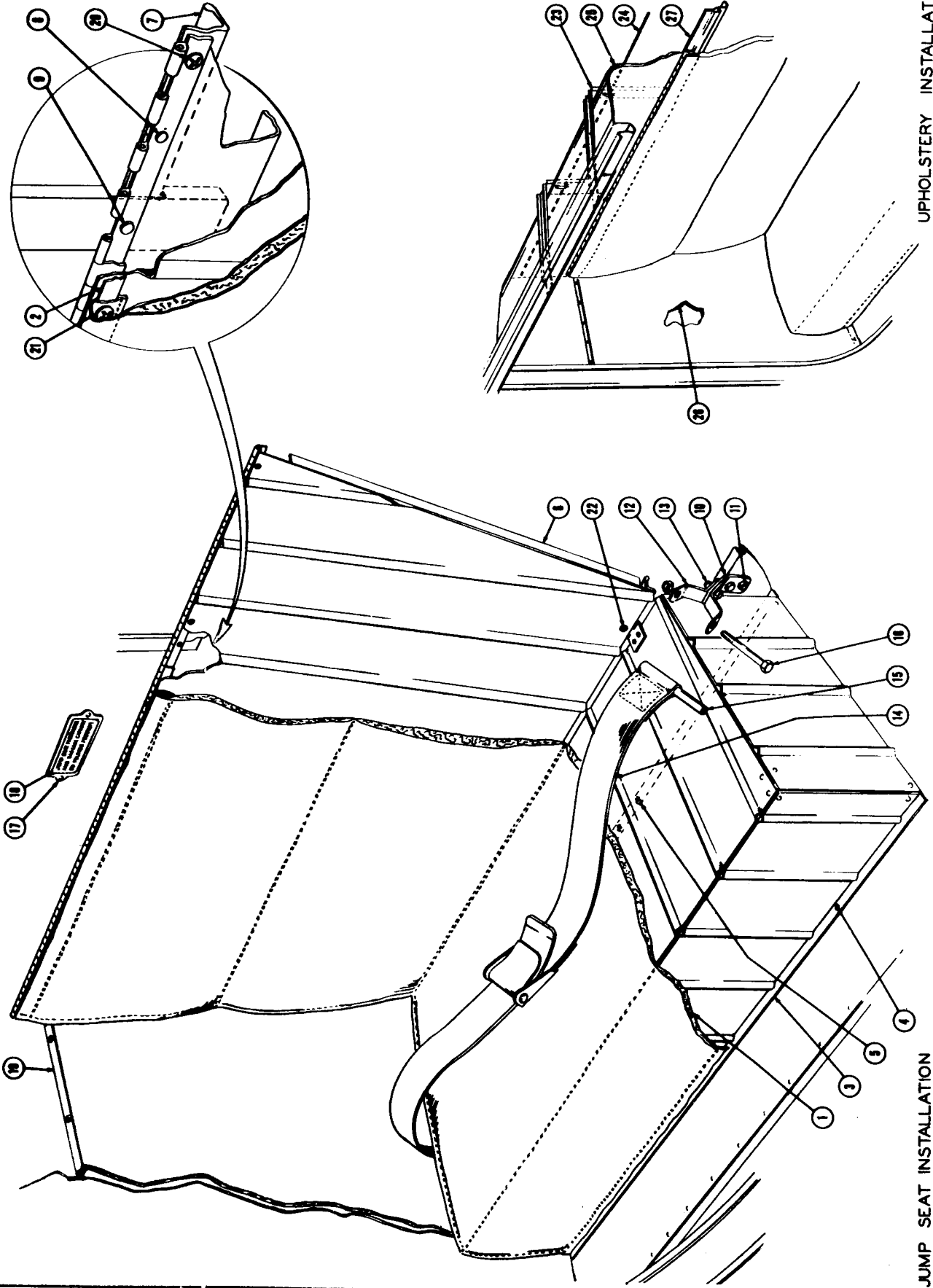
OPTIONAL EQUIPMENT - WHEEL FAIRING

FIGURE AND REF. NO.	PART NUMBER	PART NAME	UNITS REQUIRED ON MODELS	
			1	2
			120	140
	52-3-102	Fairing Installation - Main Wheels	1	1
68-1	0441143-12	Fairing Assembly - Left	1	1
	0441143-13	Fairing Assembly - Right	1	1
68-2	AN936B-616	Washer	2	2
68-3	AN6-5A	Bolt	2	2
68-4	A1794-10Z-3	Nut Plate	12	12
	PK76XZ-10-6	Screw	12	12
68-5	0441143-8	Plate - Mount - Left	1	1
	0441143-9	Plate - Mount - Right	1	1
68-6	AN380-4-10	Pin - Cotter	2	2
68-7	0441130	Nut	2	2

FIGURE 69

OPTIONAL EQUIPMENT - JUMP SEAT

FIGURE AND REF. NO.	PART NUMBER	PART NAME	UNITS REQUIRED ON MODELS	
			1	2
			120	140
	52-3-103	Installation Kit - Jump Seat - Model 140		1
69-1	0413278	Pad Assembly - Jump Seat Upholstery		1
69-2	0413281	Strip - Jump Seat Pad Attachment		1
69-3	0413202-15	Bottom Assembly - Seat		1
69-4	PK76XZ-8-6	Screw - (Front Seat Bottom Attachment)		2
	A6195-8Z3	Nut Plate - Tinnerman		2
	AN426-AD3-3	Rivet		4
69-5	PK76XZ-8-6	Screw - (Rear Seat Bottom Attachment)		2
	A1274-8Z3	Nut Plate - Tinnerman		2
69-6	0413202-16	Back Assembly - Seat		1
69-7	0413202-14	Angle - Upholstery Support		1
69-8	AN426AD3-4	Rivet		22
69-9	AN426AD4-5	Rivet		2
69-10	0413202-11	Lug - Safety		2
69-11	AN3-3A	Bolt - (Lug Attachment)		4
	AN365-1032	Nut		4
69-12	0413202-10	Clip - Safety		4
69-13	AN4-5A	Bolt - (Clip Attachment)		4
	AN365-428	Nut		2
69-14	0411041-7	Belt - Safety		2
69-15	0411667	Bushing - Safety Belt		1
69-16	AN3-25A	Bolt - (Safety Belt Attachment)		2
	AN365-1032	Nut		2
69-17	0413282	Plate		1
	R3324-516	Rivet - (Plate Attachment)		2
69-18	0413277	Placard		1
69-19	0413294	Strip - Baggage Liner Retaining		2
	PK76XZ-4-4	Screw - (Baggage Liner Strip Attachment)		10
69-20	PK76XZ-8-6	Screw		5
	A1778-8Z3	Nut Plate - Tinnerman		5
69-21	PK76XZ-8-5	Screw		6
	A1778-8Z-3	Nut Plate - Tinnerman		6
69-22	PK76XZ-8-5	Screw		2
	A1778-8Z3	Nut Plate - Tinnerman		2
	52-3-111	Installation Kit - Jump Seat - Model 120 - (This Kit Same As Kit 52-3-103 With Following Parts Added:		
69-23	0411695	Channel Assembly - Interior Trim Support	1	
69-24	0411995-4	Wire Hanger	2	
69-25	0412510	Headlining Assembly	1	
69-26	0411708	Lining - Baggage Compartment	1	
69-27	0411683	Support Assembly - Interior Trim	1	



JUMP SEAT INSTALLATION
MODEL 120 AND MODEL 140

UPHOLSTERY INSTALLATION
MODEL 120 ONLY

FIGURE 69—JUMP SEAT INSTALLATION

ILLUSTRATED PARTS CATALOG

FIGURE 70 OPTIONAL EQUIPMENT - CARBURETOR AIR TEMPERATURE & MANIFOLD PRESSURE

FIGURE AND REF. NO.	PART NUMBER	PART NAME	UNITS REQUIRED ON MODELS	
			120	140
	52-3-27	Installation Kit - Carburetor Air Temperature Gauge - (Cessna Print 0411842)		
70-1	0411843	Bracket - Carburetor Air Temperature Gauge	1	1
70-2	6645	Gauge - Carburetor Air Temperature - (Manning, Maxwell & Moore)	1	1
	AN526-632R12	Screw	1	1
70-3	AN515-8R8	Screw	4	4
	AN365-832	Nut	2	2
70-4	49211	Clamp - United Carr	2	2
70-5	A2980A-3	Clamp - Tinnerman	1	1
	A2981A-8	Clamp - Tinnerman	1	1
	PK76XZ-8-8	Screw	1	1
70-6	AN515-6R8	Screw	1	1
	AN365-632	Nut	2	2
70-7	0411849	Nut - Carburetor Air Temperature Gauge - Flanged	2	2
	52-3-51	Installation Kit - Carburetor Air Temperature & Manifold Pressure Gauge (Cessna Print 0413167)	1	1
70-8	0413129	Bracket - Carburetor Air Temp. & Manifold Pressure Gauge	1	1
70-3	AN515-8R8	Screw	1	1
	AN365-832	Nut	2	2
70-2	6645	Gauge - Carburetor Air Temperature - (Manning, Maxwell & Moore)	1	1
70-9	990-01	Gauge - Manifold Pressure - (Kollsman)	1	1
	6742-90	Gauge - Manifold Pressure - (Manning, Maxwell & Moore) (Alternate)	1	1
	AN526-632R12	Screw - (Attach Instruments to Bracket)	1	1
70-10	0413167-3	Tube - Manifold Pressure	8	8
70-11	AN816-4D	Nipple	1	1
	AN818-4D	Nut - Coupling	1	1
	AN819-4D	Sleeve - Coupling	1	1
70-12	AN822-4D	Elbow	1	1
	AN818-4D	Nut - Coupling	1	1
	AN819-4D	Sleeve - Coupling	1	1
70-6	AN515-6R8	Screw	1	1
	AN365-632	Nut	2	2
70-7	0411849	Nut - Carburetor Air Temperature Gauge - Flanged	2	2
70-13	49211-1	Clamp - United Carr	1	1
70-5	A2980A-3	Clamp - Tinnerman	1	1
	A2981A-8	Clamp - Tinnerman	1	1
	PK76XZ-8-8	Screw	1	1

FIGURE 71 OPTIONAL EQUIPMENT - CABIN UPHOLSTERY - 1946 MODEL 120

	52-3-31	Installation Kit - Upholstery - 1946 Model 120	1	
71-1	0411731-3	Channel - Interior Trim Forward - Left Door	1	
71-2	0411729-3	Channel - Interior Trim Rear - Left Door	1	
	0411730	Channel - Door Interior Trim - Right	1	
71-3	0411734-9	Panel - Door Upholstery - Left - (Serial 8001-8049)	1	
	0411734-11	Panel - Door Upholstery - Left - (Serial 8050 & Up)	1	
	0411734-10	Panel - Door Upholstery - Right	1	
71-4	0411714-15	Carpet Assembly - Floorboard	1	
71-5	0413265	Plate - Floorboard Mat Scuff	1	
71-6	0411696	Support - Cabin Headlining - Left	2	
	0411696-1	Support - Cabin Headlining - Right	1	
71-7	0411321	Panel Assembly - Firewall Soundproofing	1	
71-8	0411715	Spacer - Upholstery Panel	2	
71-9	0411855-9	Curtain Assembly - Fuselage Rear	1	
71-10	0413165	Panel Assembly - Door Jam - Upper Left	1	
	0413165-1	Panel Assembly - Door Jam - Upper Right	1	
	600	Washer - AU-VE-CO	26	
	AN426AD3-4	Rivet	6	
	AN442AD3-4	Rivet	6	
	PK88XZ-4-6	Screw	31	
	PK88XA-4-6	Screw	31	

FIGURE 72 OPTIONAL EQUIPMENT - FIRE EXTINGUISHER

	52-3-64	Installation Kit - Fire Extinguisher	1	1
72-1	A-2	Fire Extinguisher and Bracket - (Cessna Print 0411986)	1	1
72-2	AN507-832R-8	Screw	5	5
72-3	AN365-832	Nut	5	5

FIGURE 73 OPTIONAL EQUIPMENT - DOME LIGHT

	52-3-70	Installation Kit - Dome Light		1
73-1	0413142	Dome Light		1
73-2	AN456AD4-4	Rivet		2

ILLUSTRATED PARTS CATALOG
OPTIONAL EQUIPMENT

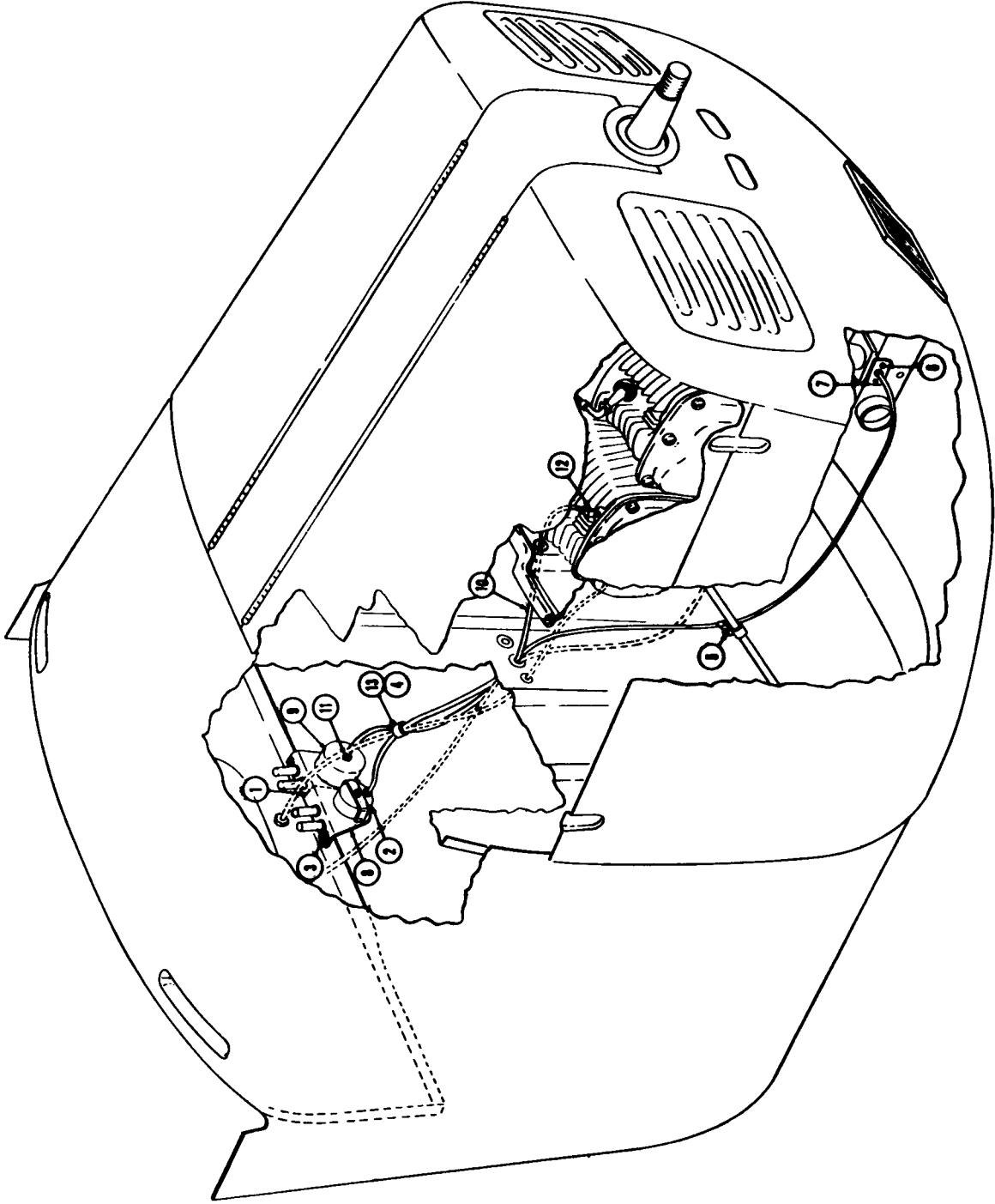


FIGURE 70 - CARBURETOR AIR TEMPERATURE AND MANIFOLD PRESSURE

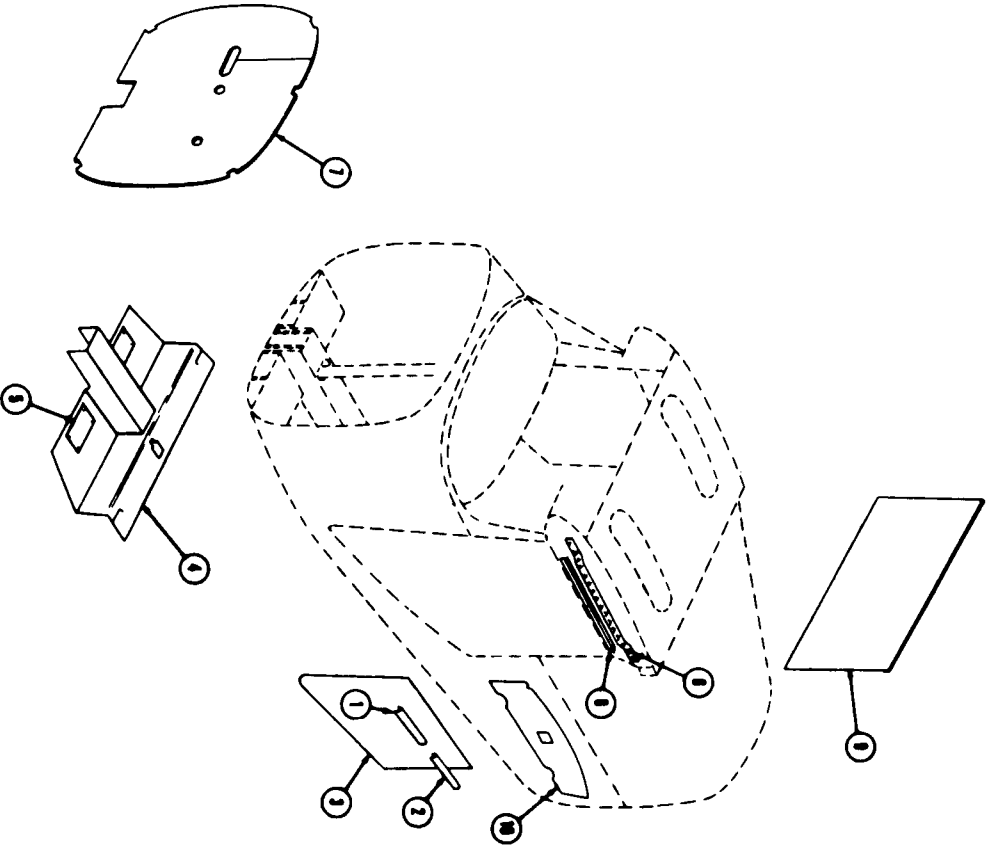


FIGURE 71-CABIN UPHOLSTERY (1946 MODEL 120)

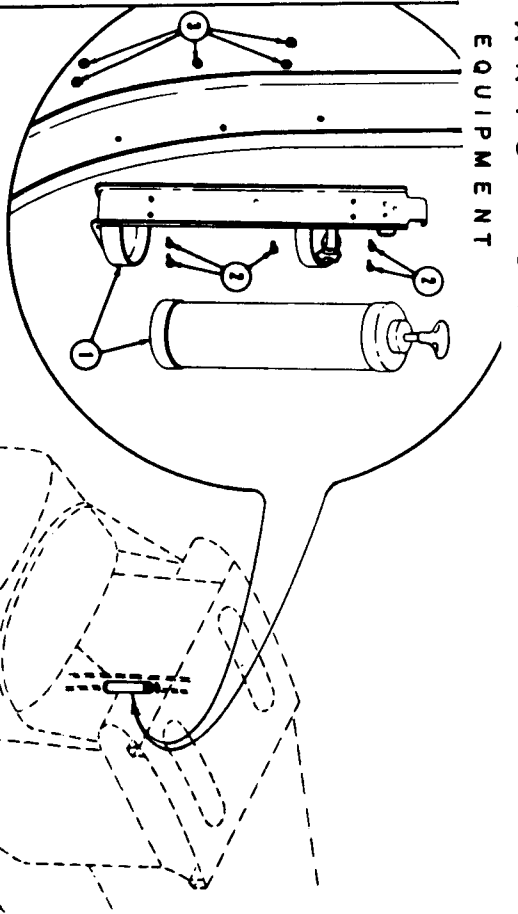


FIGURE 72-FIRE EXTINGUISHER INSTALLATION

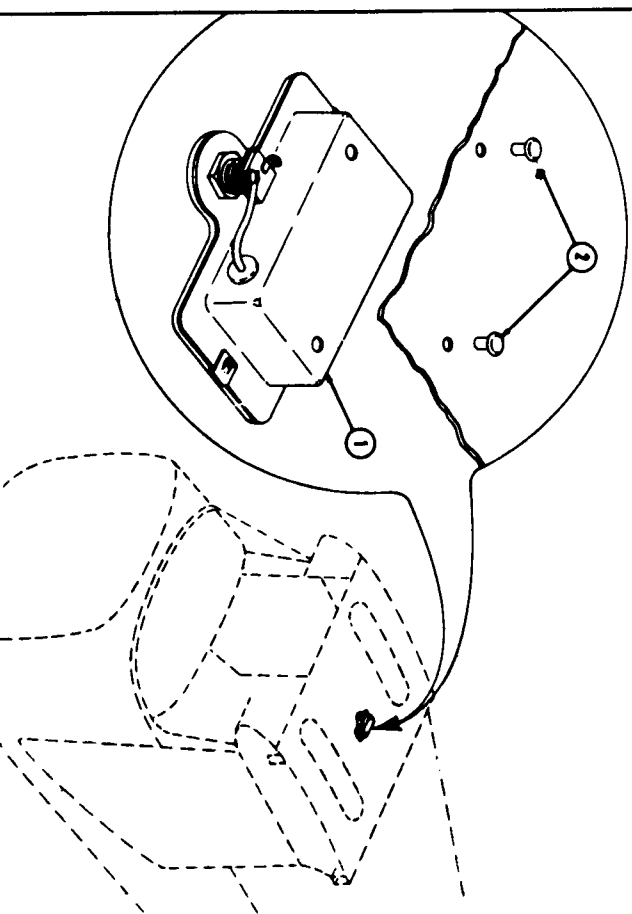


FIGURE 73-DOME LIGHT INSTALLATION

OPTIONAL EQUIPMENT

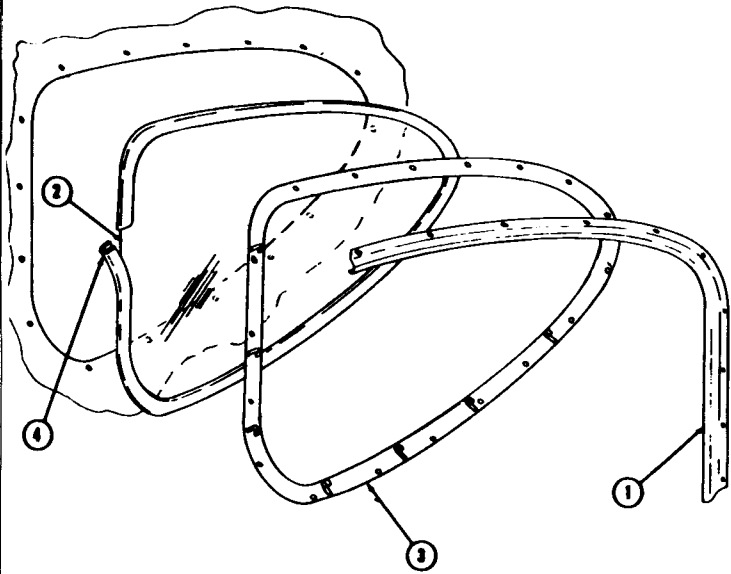


FIGURE-74-REAR CABIN WINDOWS

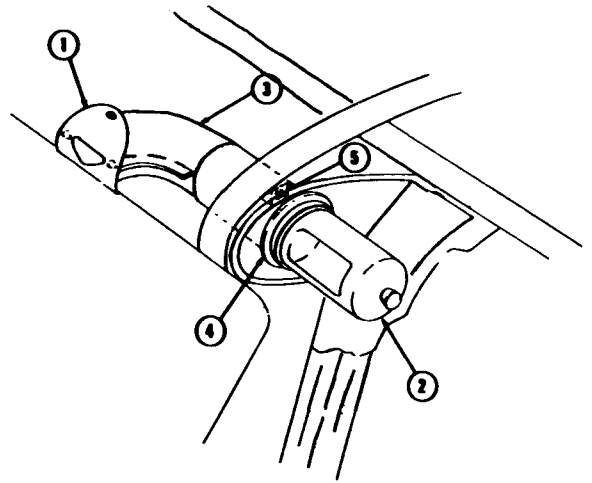


FIGURE-75 -CABIN AIR VENT

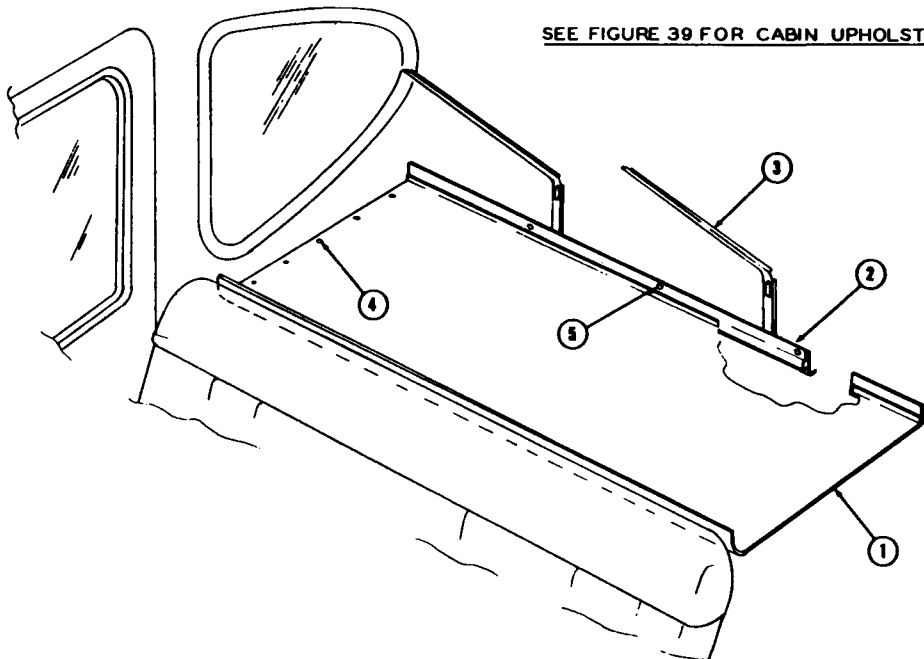


FIGURE-76-BAGGAGE SHELF

ILLUSTRATED PARTS CATALOG

FIGURE 74

OPTIONAL EQUIPMENT - REAR CABIN WINDOW

FIGURE AND REF. NO.	PART NUMBER	PART NAME	UNITS REQUIRED ON MODELS	
			120	140
	52-3-34	Installation Kit - Rear Cabin Window - (Model 120 Conversion)	1	
74-1	0411692	Retainer - Upholstery - Left	1	
	0411692-1	Retainer - Upholstery - Right	1	
74-2	0412145	Window	2	
74-3	0412144	Frame - Left	1	
	0412144-1	Frame - Right	1	
74-4	0412152-3	Moulding - Window	2	

FIGURE 75

OPTIONAL EQUIPMENT - CABIN AIR VENT

	52-3-73	Installation Kit - Cabin Air Vent	1	1
75-1	0413160	Retainer - Cabin Air Vent	2	2
75-2	0413163	Vent Assembly - Left	1	1
	0413163-1	Vent Assembly - Right	1	1
75-3	0413234	Scoop Assembly - Left	1	1
	0413234-1	Scoop Assembly - Right	1	1
75-4	0413235	Grommet - Rubber	2	2
75-5	A6195-8Z-3	Nut - Tinnerman - (Attach Vent Assembly)	4	4
	PK76XZ-8-6	Screw - (Attach Vent Assembly)	4	4
	PK76XZ-6-6	Screw - (Attach Scoop)	8	8

FIGURE 76

OPTIONAL EQUIPMENT - BAGGAGE SHELF

	52-3-35	Installation Kit - Baggage Shelf	1	
76-1	0411677	Baggage Shelf - (Primed)	1	
76-2	0411683	Channel Assembly - (Upholstery Support)	1	
76-3	0411695	Channel Assembly - (Upholstery Support)	2	
76-4	PK76XZ-4-4	Screw	10	
	PK76XZ-8-6	Screw - (Attach 0411695 At Top)	2	
76-5	PK85XA-4-10	Screw	3	

FIGURE 77

OPTIONAL EQUIPMENT - SUMMERIZATION KIT

	52-3-110	Installation Kit - Summer Engine	1	1
77-1	0450321	Extension - Baffle	2	2
77-2	0452199	Lip - Cowl	1	1
77-3	PK76XZ-8-8	Screw	11	11
77-4	A1778-8Z-3	Nut	11	11

FIGURE 78

OPTIONAL EQUIPMENT - STALL WARNING INDICATOR

	52-3-119	Installation Kit - Stall Warning Indicator		1
78-1	0413313-1	Actuator		1
78-2	0413313-2	Indicator		1
78-3	0413313-3	Disconnect Switch		1
78-4	0413313-4	Nut Strip		2
78-5	CA-2	Circuit Breaker - (Klixon)		1
78-6	0412489	Cover Assembly - Shock Panel		1
78-7	0413206	Cover - Instrument Aperture		1
78-8	AN515-8R-16	Screw		2
	AN936A8	Washer		2
	AN340-8	Nut		2
78-9	0413313-6	Lamp		1
78-10	0413313-7	Screw		6

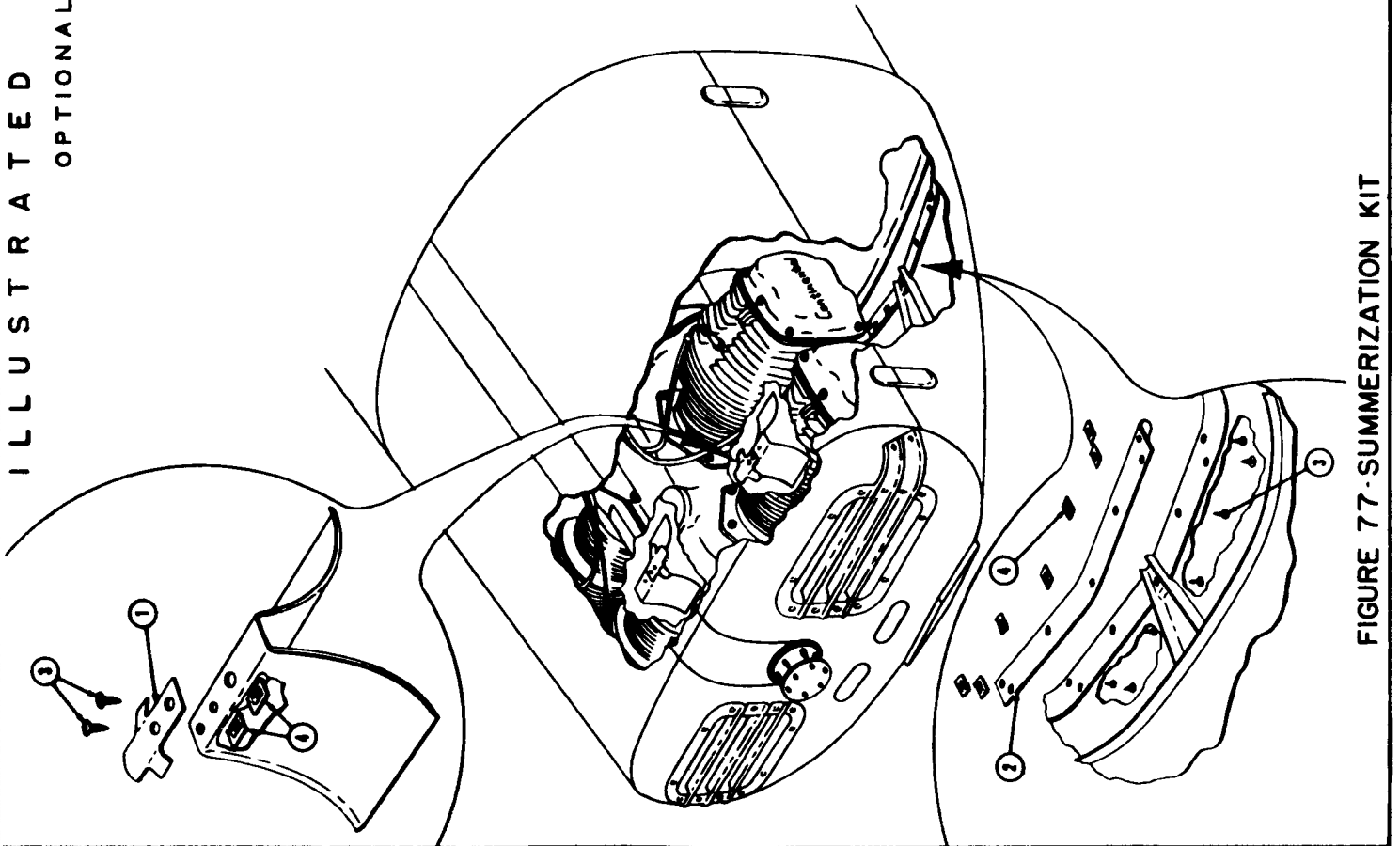


FIGURE 77 - SUMMERIZATION KIT

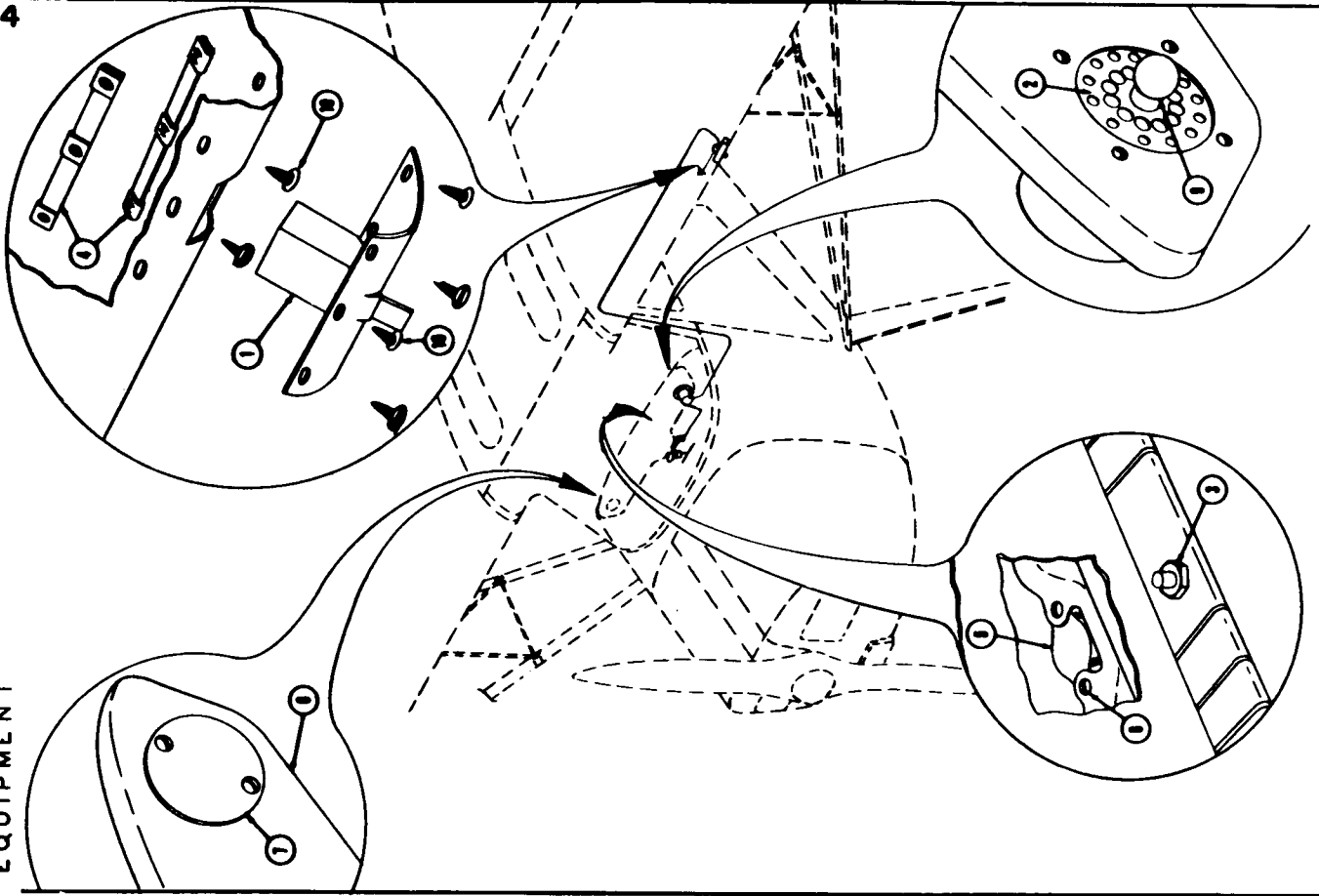


FIGURE 78 - STALL WARNING INDICATOR

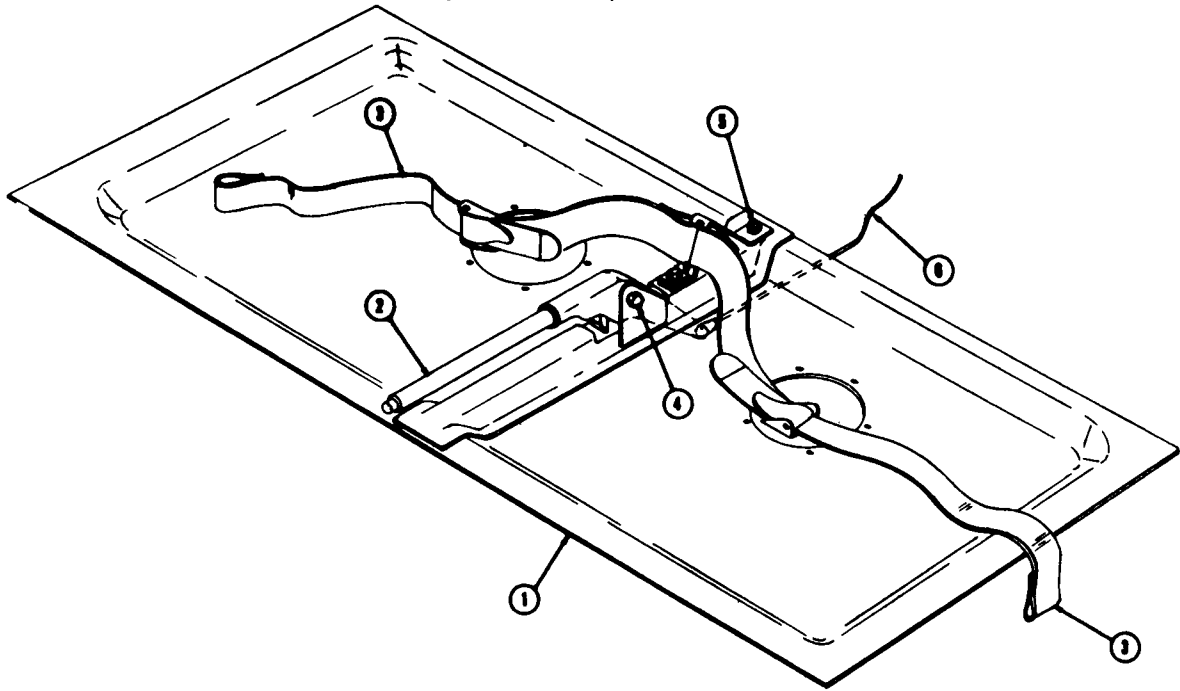


FIGURE 79-DUAL SAFETY BELT CONVERSION

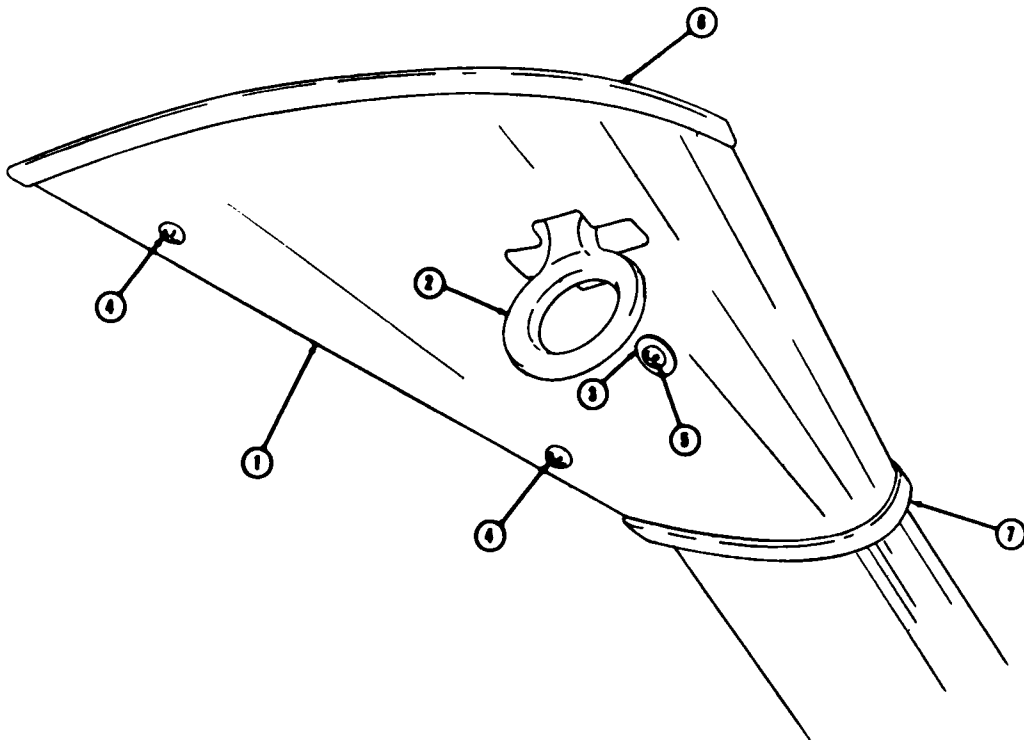


FIGURE 80-STRUT CUFF

FIGURE 79 OPTIONAL EQUIPMENT - DUAL SAFETY BELT CONVERSION

FIGURE AND REF. NO.	PART NUMBER	PART NAME	UNITS REQUIRED ON MODELS	
			1	2
			120	140
	52-3-32	Installation Kit - Flap Lever & Dual Safety Belt - Model 140		1
79-1	0411885-3	Pan Assembly - Seat		1
79-2	0425135	Lever Assembly - Flap Actuating		1
79-3	CA2-40	Belt Safety		2
79-4	AN3-12A	Bolt		1
79-5	AN3-5A	Bolt		1
	AN366F1032	Nut Plate - (Attach Safety Belt Fitting)		1
	AN364-1037	Nut - (Attach Flap Lever)		1
	AN960-10	Washer - (Attach Safety Belt Fitting)		1
79-6	0400107-10	Cable - Flap Control		1
	52-3-33	Installation Kit - Dual Safety Belt - Model 120	1	
79-1	0411885-5	Pan Assembly - Seat		1
79-3	CA2-40	Belt - Safety		2
79-5	AN3-5A	Bolt		1
	AN366F1032	Nut Plate - (Attach Safety Belt Fitting)		1
	AN960-10	Washer - (Attach Safety Belt Fitting)		1

FIGURE 80 OPTIONAL EQUIPMENT - STRUT CUFF

	52-3-30	Installation Kit - Front Strut Cuff	1	1
80-1	0422279	Cuff - Left	1	1
	0422279-1	Cuff - Right	1	1
80-2	0422315	Lug - Mooring	2	2
80-3	0422333	Washer	2	2
80-4	PK76X2-8-6	Screw	4	4
	A1274-82-3	Nut Plate - (Attach Cuff)	4	4
80-5	PK76X2-6-6	Screw	2	2
80-6	0412152-6	Moulding - (Rubber)	2	2
80-7	0412152-7	Moulding - (Rubber)	2	2

FIGURE 81 OPTIONAL EQUIPMENT - LANDING GEAR EXTENSION

	52-3-115	Installation Kit - Landing Gear Extension For Axles - (Attach With 1/4" Bolts)	1	1
81-1	0400106-71	Line Assembly - Brake - Left	1	1
81-1	0400106-72	Line Assembly - Brake - Right	1	1
81-2	0411147-1	Plate - Extension	2	2
81-3	NAS144-25	Bolt	4	4
81-4	NAS144-28	Bolt	4	4
	AN365-428	Nut	8	8
	52-3-116	Installation Kit - Landing Gear Extension For Axles - (Attach With 5/16" Bolts)	1	1
81-1	0400106-71	Line Assembly - Brake - Left	1	1
81-1	0400106-72	Line Assembly - Brake - Right	1	1
81-2	0411147-2	Plate - Extension	2	2
81-3	AN5-13A	Bolt	4	4
81-4	AN5-15A	Bolt	4	4
	AN365-524	Nut	8	8

ORDER BY PART NUMBER AND NAME

SERIAL NUMBER AND COLOR IF APPLICABLE

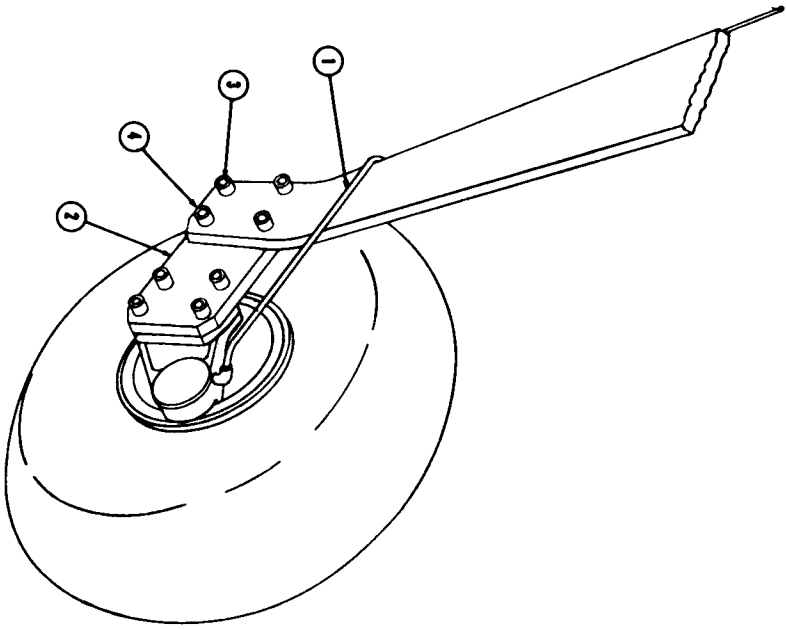


FIGURE 81-LANDING GEAR EXTENSION

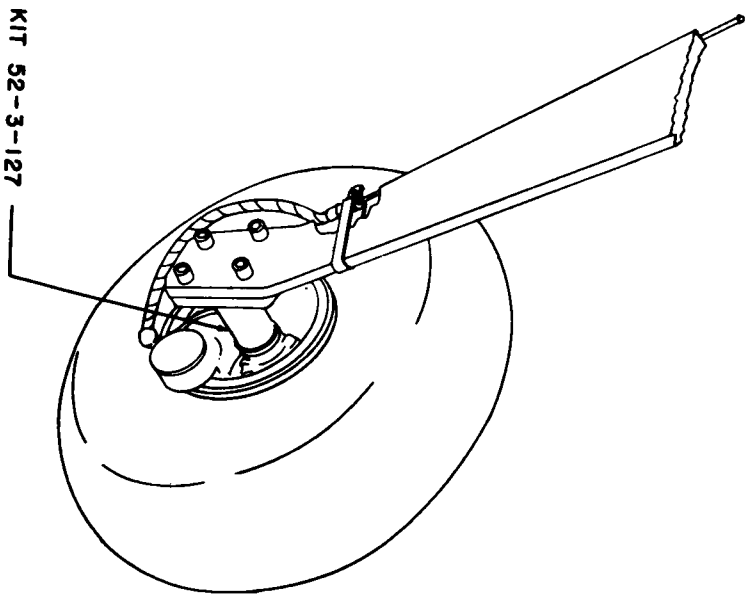


FIGURE 82 - CROSS WIND LANDING GEAR